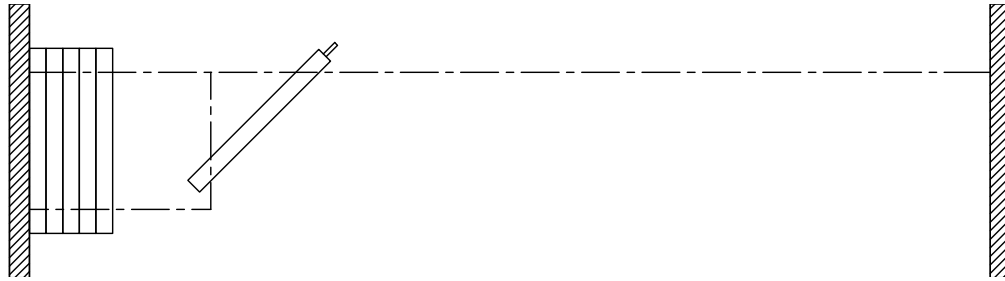




# MODERCO

Signature 8000 Series

## Technical Data Sheet Crystal



### Features & Options

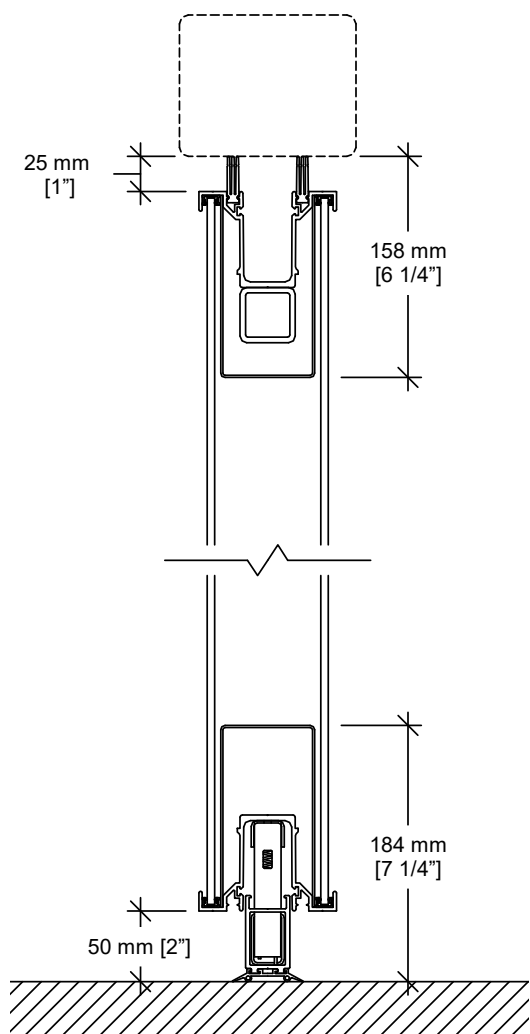
#### Standard Features

- Manually-operated individual-panel glass movable partition.
- STC 44.
- 102 mm [4"] nominal thickness. 1230 mm [48 1/2"] maximum width.
- Clear-anodized steel-reinforced aluminum frame.
- Protective trims on the entire perimeter.
- Combination aluminum and vinyl tongue and groove vertical sound seals between panels.
- Final closure by telescopic jamb.
- Type FA horizontal seals:
  - Fixed top sweeps
  - Automatic retractable bottom seals set as panels are deployed
  - bottom seals provide a 50 mm [2"] floor clearance
- Clear-anodized 6063-T6 alloy aluminum track.
- Each panel supported by two carriers made up of two horizontally-aligned precision-ground hardened steel ball bearing wheels with nylon tires.
- 6 mm [1/4"] clear tempered glass faces.
- Maximum height : 3733 mm [12'-3"].

#### Optional Features and Accessories

- Powder-coated frame and/or track.
- Glass finishes : stained, colored, acid washed, frosted, etc.
- Electrically tilting blinds with remote control.
- Final closure by pivot panel.
- Full-height door (up to a height of 3124 mm [10'-3"]).
- Type FM-1.5 horizontal seals:
  - Fixed top sweeps
  - Manually-operated bottom seals
  - bottom seals provide a floor clearance of 38 mm [1 1/2"]
- Type MM-1.5 horizontal seals:
  - top and bottom retractable seals
  - Manually-operated, simultaneously-activated top and bottom seals
  - bottom seals provide a floor clearance of 38 mm [1 1/2"]
- Inset white marker boards / chalk boards / natural cork tack boards.
- Chalk tray.
- Acoustical or non-acoustical pocket door.

### Horizontal Seals



#### Type FA

Floor clearance : 50 mm [2"]

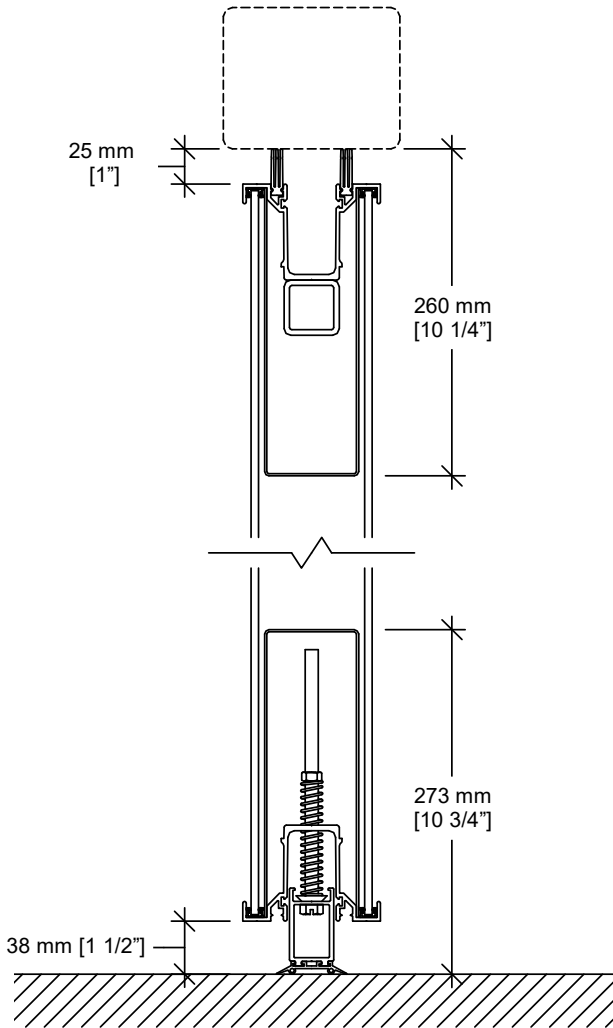
Operating tolerances :

+0 mm / -38 mm [+0" / -1 1/2"]

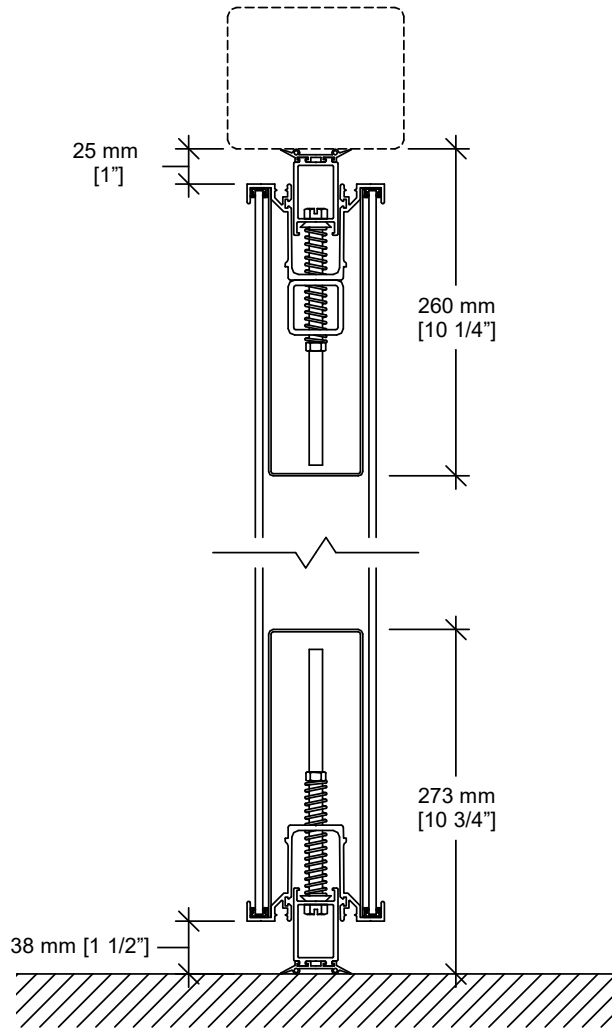


**MODERCO**

**Horizontal Seals (cont'd)**

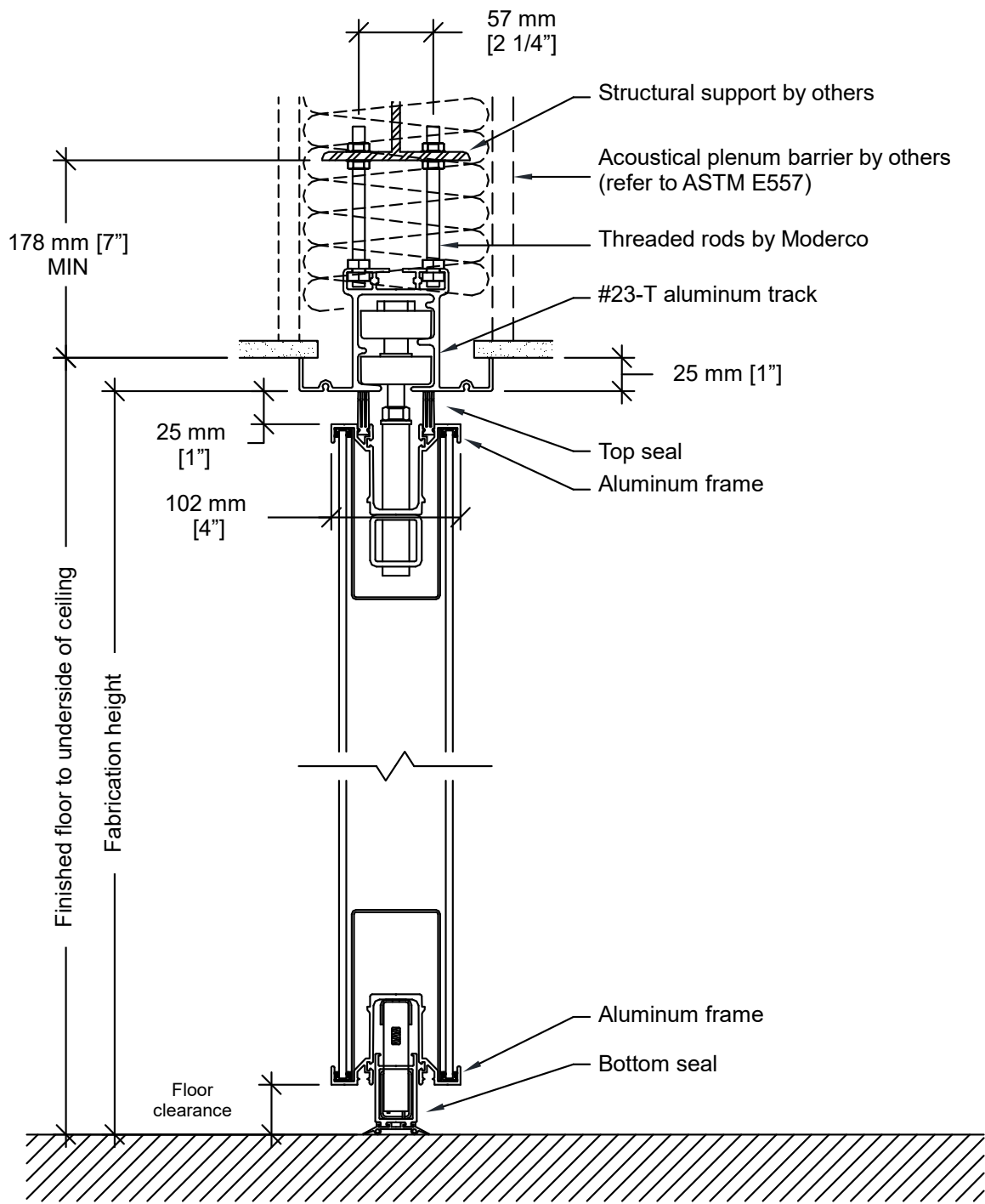


**Type FM-1.5**  
Floor clearance : 38 mm [1 1/2"]  
Operating tolerances :  
+0 mm / -19 mm [+0" / -3/4"]

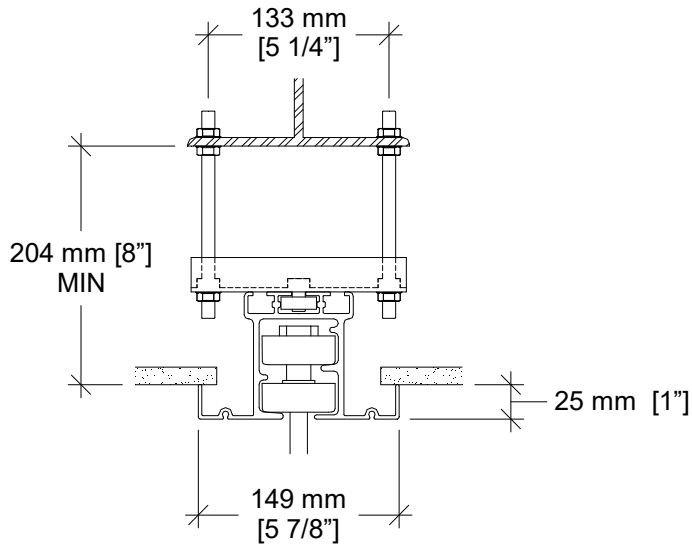


**Type MM-1.5**  
Floor clearance : 38 mm [1 1/2"]  
Operating tolerances :  
+0 mm / -19 mm [+0" / -3/4"]

### Vertical Section



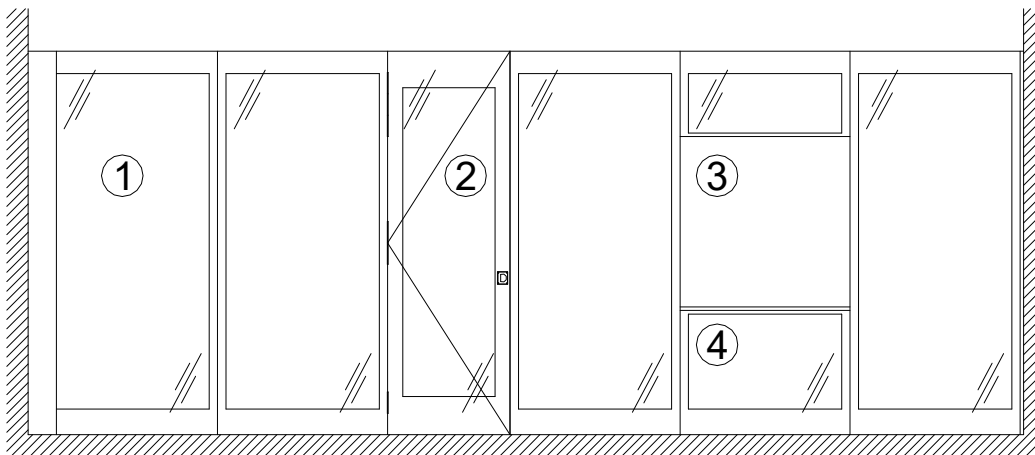
### Track Options



### Optional hanger bracket

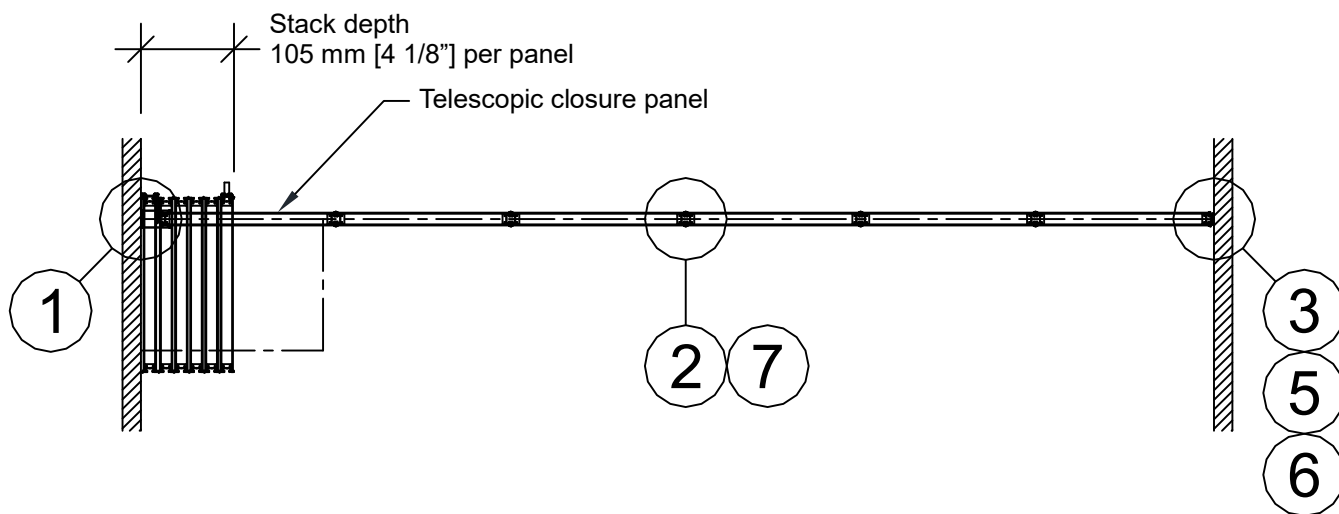
Required for installations where the topmost nuts cannot be used for adjustment.

### Elevation

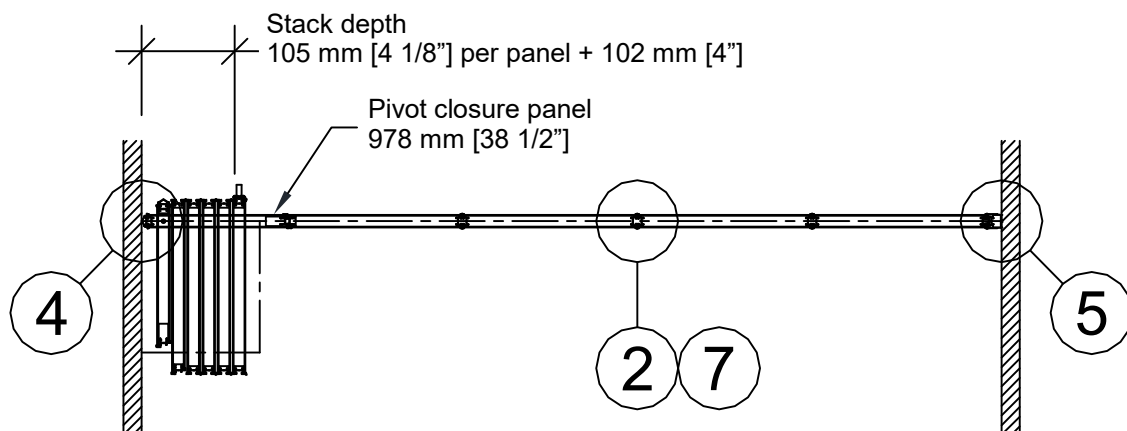


- 1- Telescopic closure panel
- 2- Full-height door
- 3- Work surfaces
- 4- Chalk tray

**Plan Views**

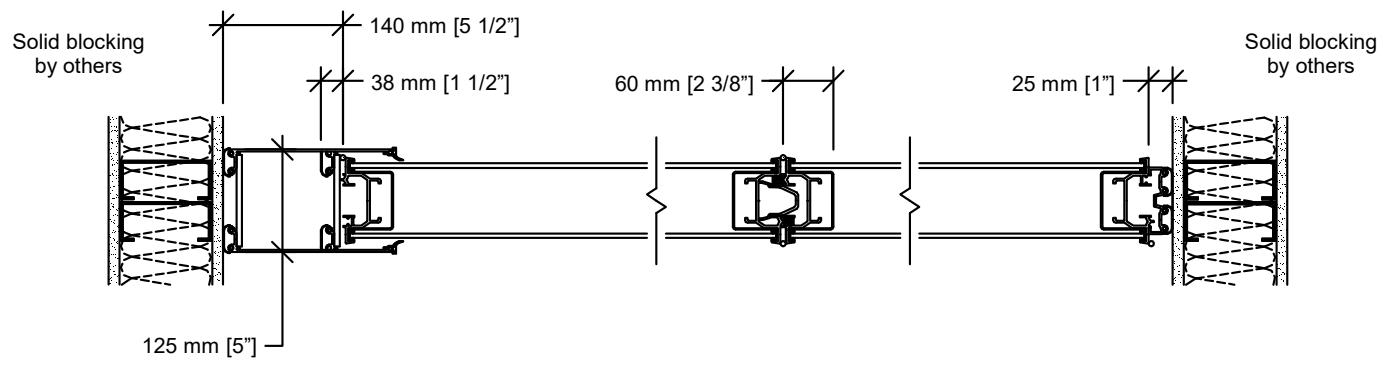


**Telescopic closure panel**

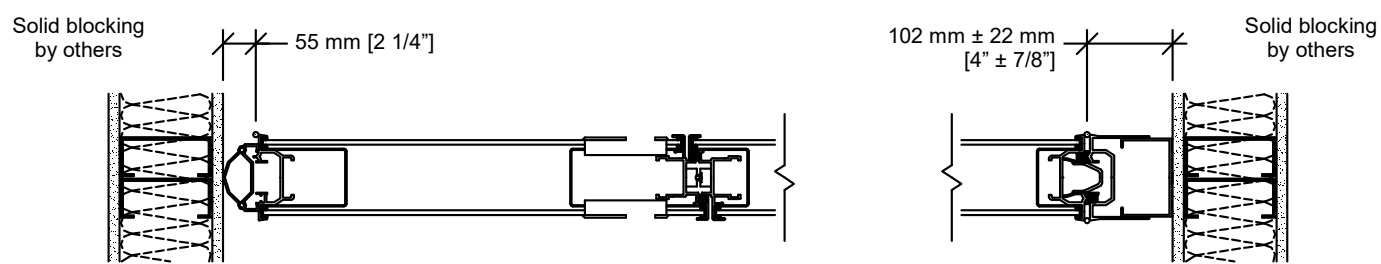


**Pivot closure panel**

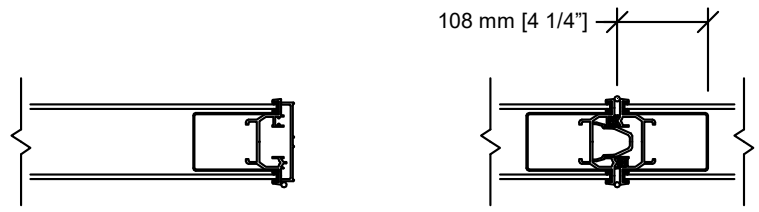
### Horizontal Sections



- ① Telescopic closure
- ② Panel joint (panels type FA horizontal seals)
- ③ Bulb seal



- ④ Pivot closure panel with recessed pulls and roller latch (optional)
- ⑤ Wall jamb (optional)

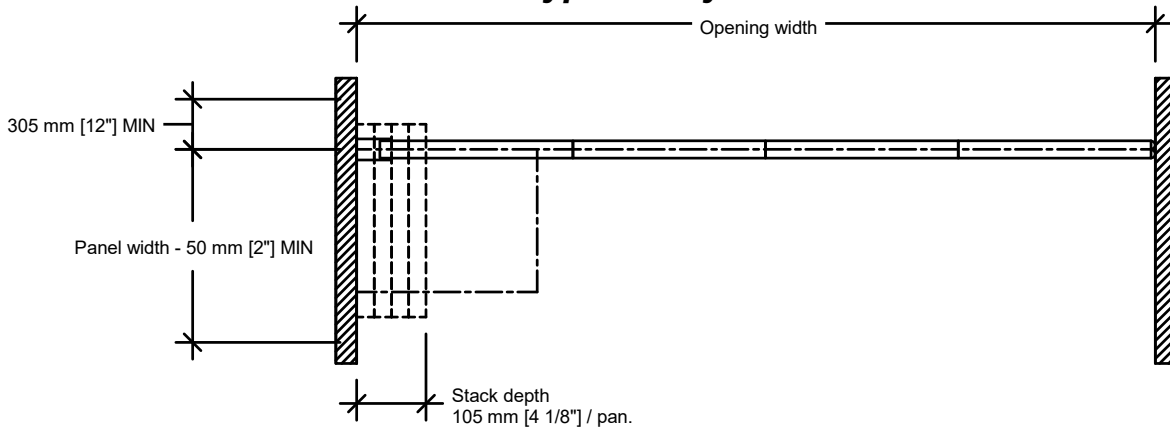


- ⑥ End cap (available on panels with manual seals only)
- ⑦ Panel joint (panels with FM-1.5 or MM-1.5 horizontal seals)

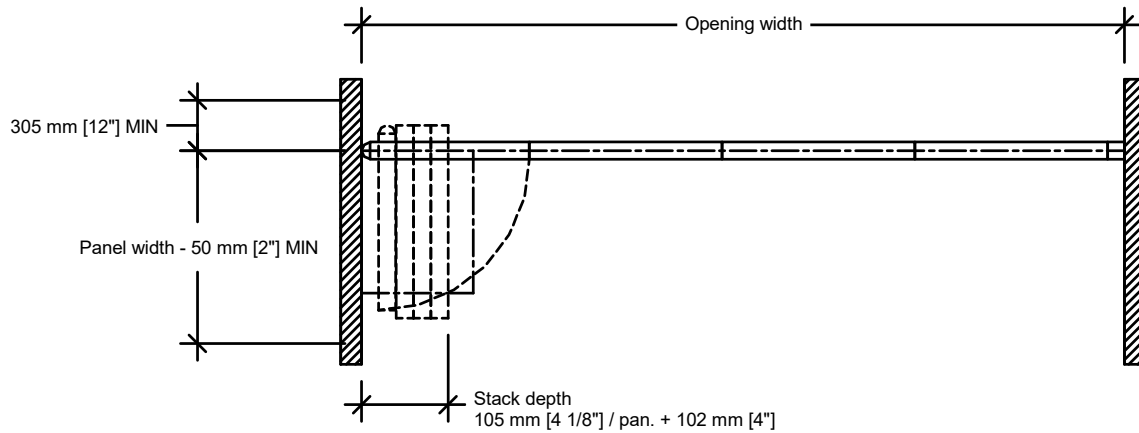


# MODERCO

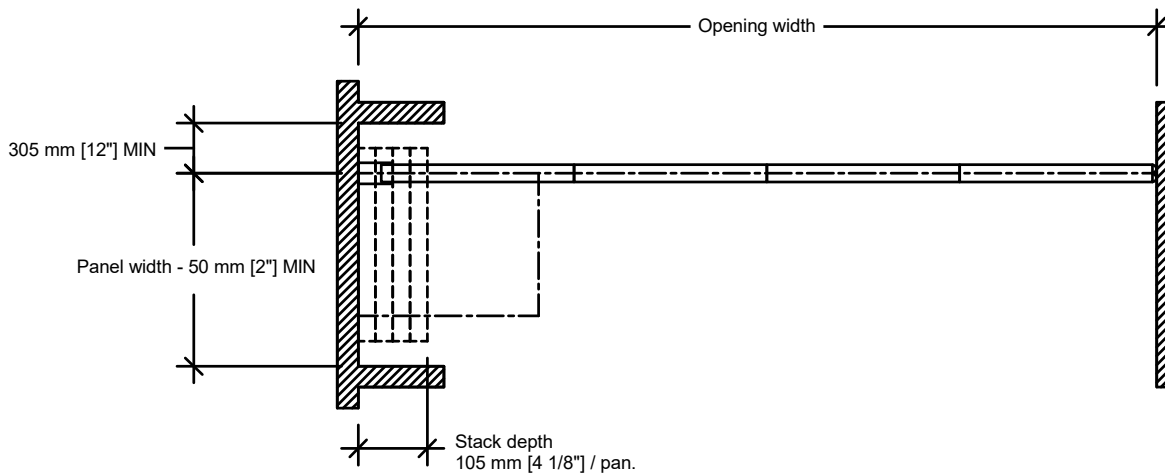
## Typical Layouts



### Wall to wall Side Stack – telescopic closure



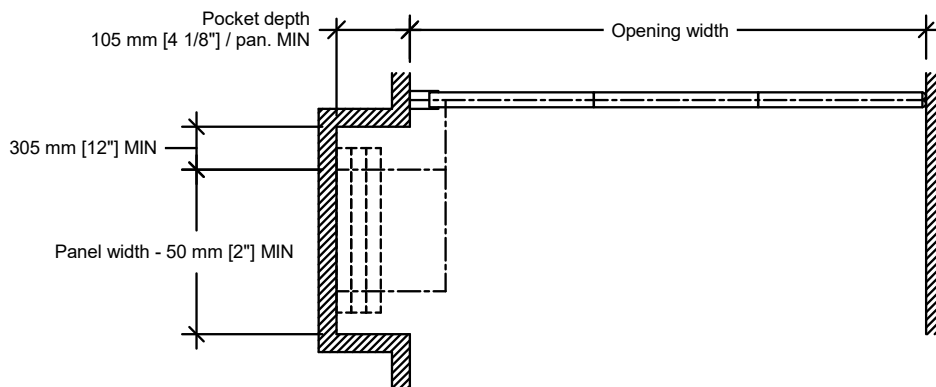
### Wall to wall Side Stack – pivot closure



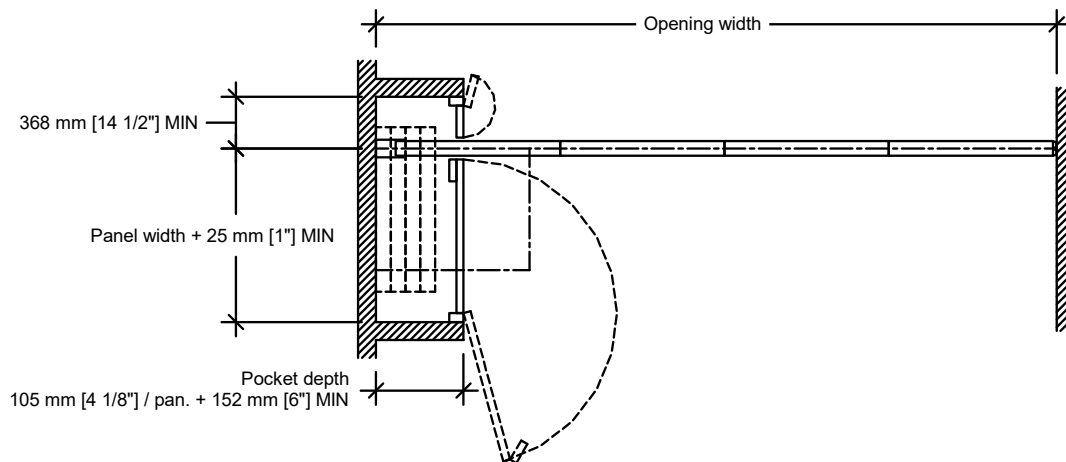
### Pocket



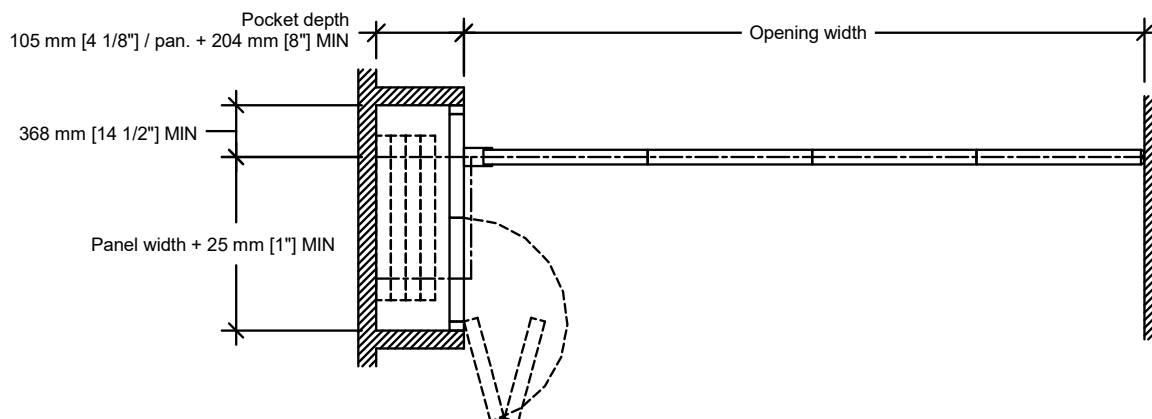
### Typical Layouts



### Remote Stack



### Pocket and PN-3 non-acoustical pocket door (partition seals to back of pocket)



### Pocket and PA-2 acoustical pocket door (partition seals to face of pocket door)