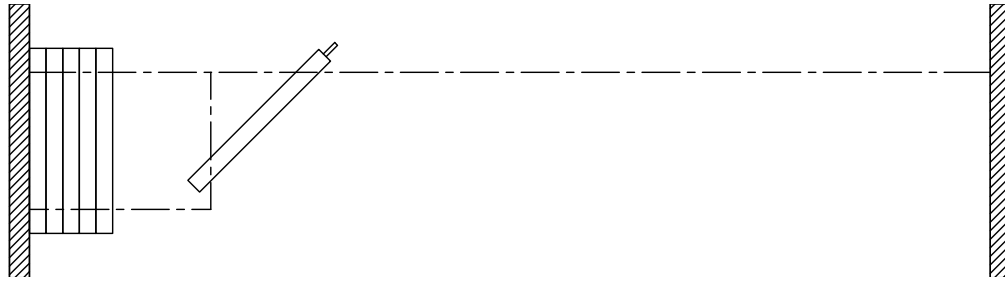


Technical Data Sheet Crystal 241



Features & Options

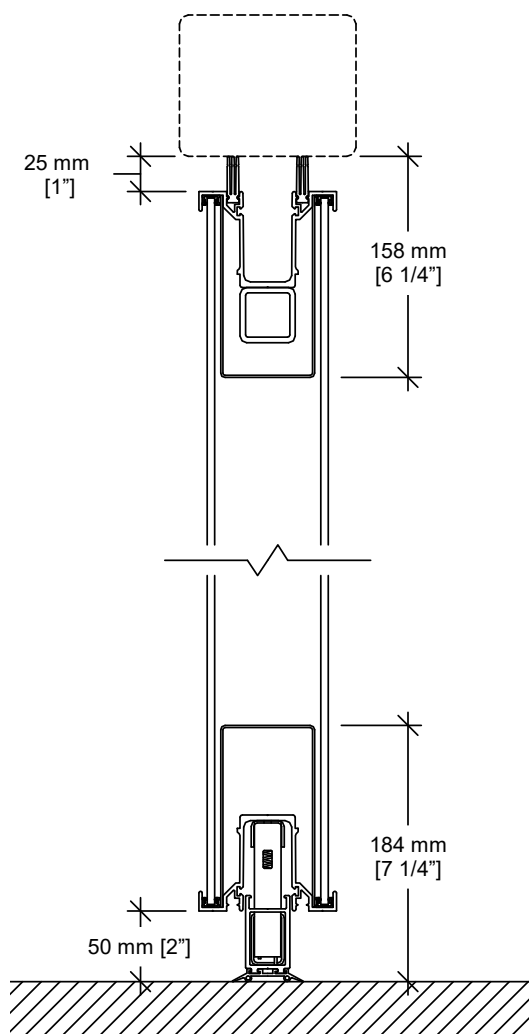
Standard Features

- Manually-operated individual-panel glass movable partition.
- STC 44.
- 102 mm [4"] nominal thickness. 1230 mm [48 1/2"] maximum width.
- Clear-anodized steel-reinforced aluminum frame.
- Protective trims on the entire perimeter.
- Combination aluminum and vinyl tongue and groove vertical sound seals between panels.
- Final closure by telescopic jamb.
- Type FA horizontal seals:
 - Fixed top sweeps
 - Automatic retractable bottom seals set as panels are deployed
 - bottom seals provide a 50 mm [2"] floor clearance
- Clear-anodized 6063-T6 alloy aluminum track.
- Each panel supported by two carriers made up of two horizontally-aligned precision-ground hardened steel ball bearing wheels with nylon tires.
- 6 mm [1/4"] clear tempered glass faces.
- Maximum height : 3733 mm [12'-3"].

Optional Features and Accessories

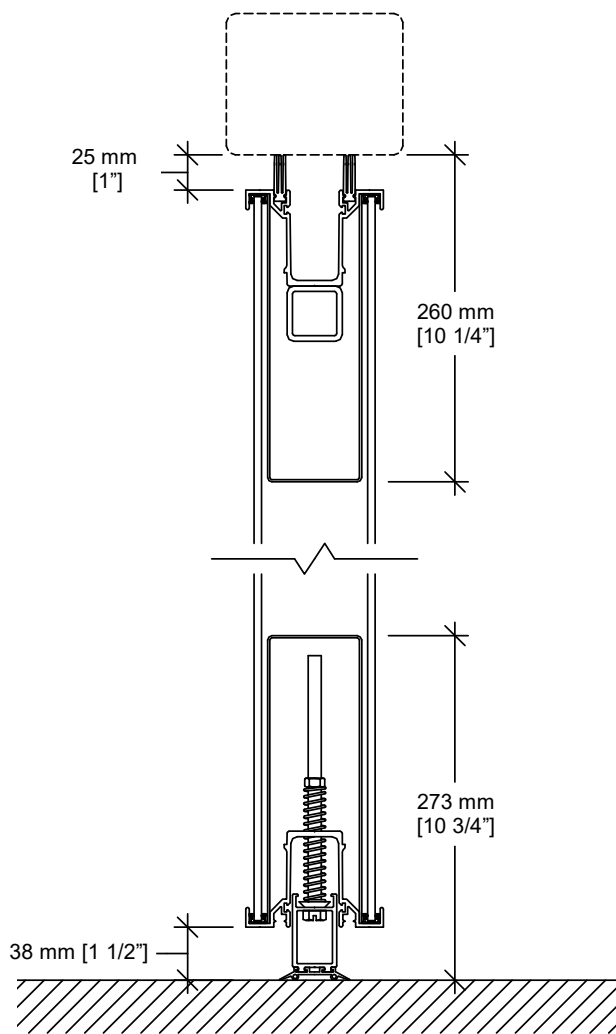
- Powder-coated frame and/or track.
- Glass finishes : stained, colored, acid washed, frosted, etc.
- Battery-powered electrically tilting blinds and operated by remote control.
- Final closure by pivot panel.
- Full-height door (up to a height of 3124 mm [10'-3"]).
- Type FM-1.5 horizontal seals:
 - Fixed top sweeps
 - Manually-operated bottom seals
 - bottom seals provide a floor clearance of 38 mm [1 1/2"]
- Type MM-1.5 horizontal seals:
 - top and bottom retractable seals
 - Manually-operated, simultaneously-activated top and bottom seals
 - bottom seals provide a floor clearance of 38 mm [1 1/2"]
- Inset white marker boards / chalk boards / natural cork tack boards.
- Chalk tray.
- Acoustical or non-acoustical pocket door.

Horizontal Seals

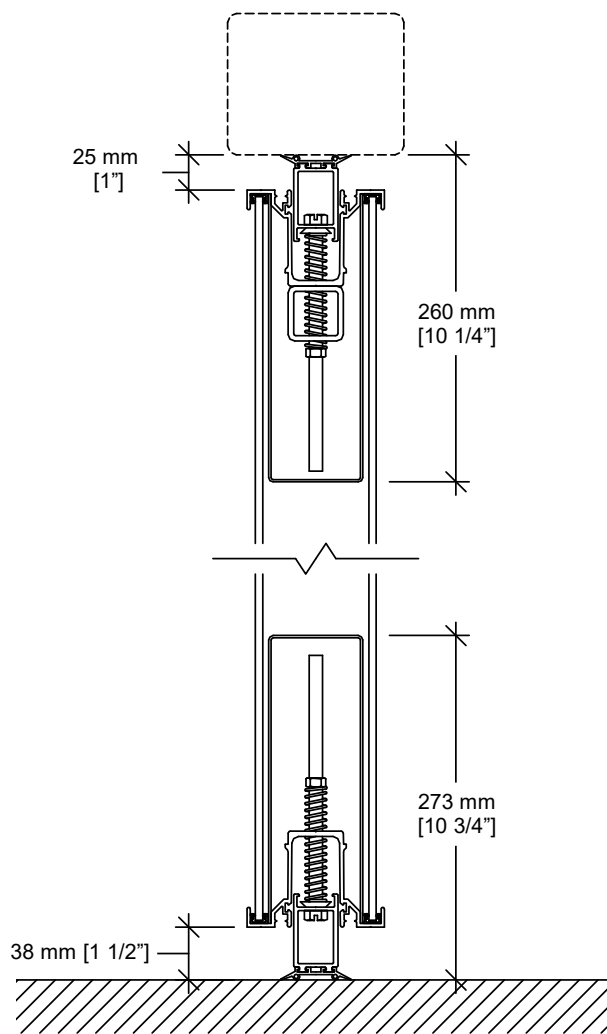


Type FA
 Floor clearance : 50 mm [2"]
 Operating tolerances :
 +0 mm / -38 mm [+0" / -1 1/2"]

Horizontal Seals (cont'd)

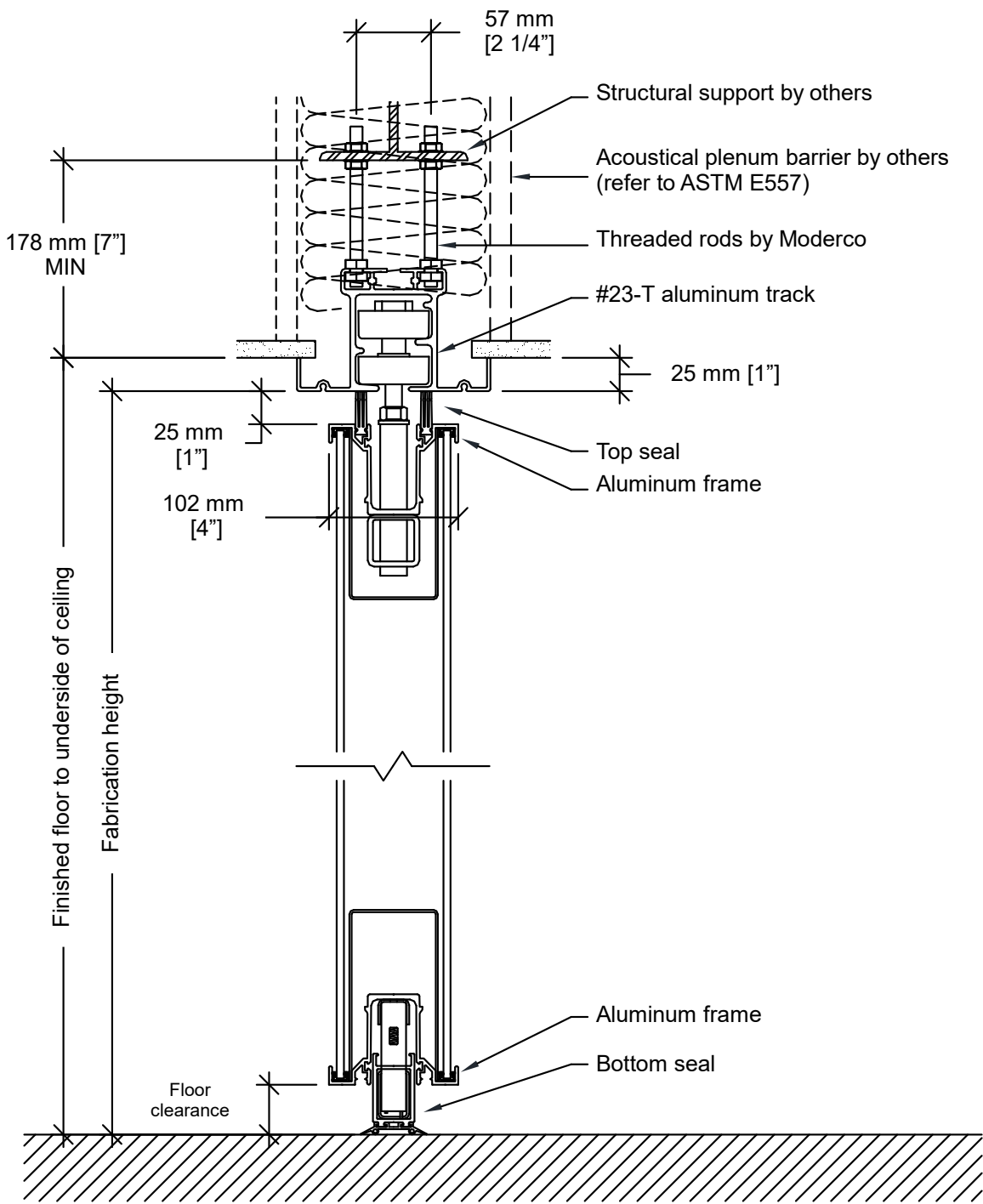


Type FM-1.5
 Floor clearance : 38 mm [1 1/2"]
 Operating tolerances :
 +0 mm / -19 mm [+0" / -3/4"]



Type MM-1.5
 Floor clearance : 38 mm [1 1/2"]
 Operating tolerances :
 +0 mm / -19 mm [+0" / -3/4"]

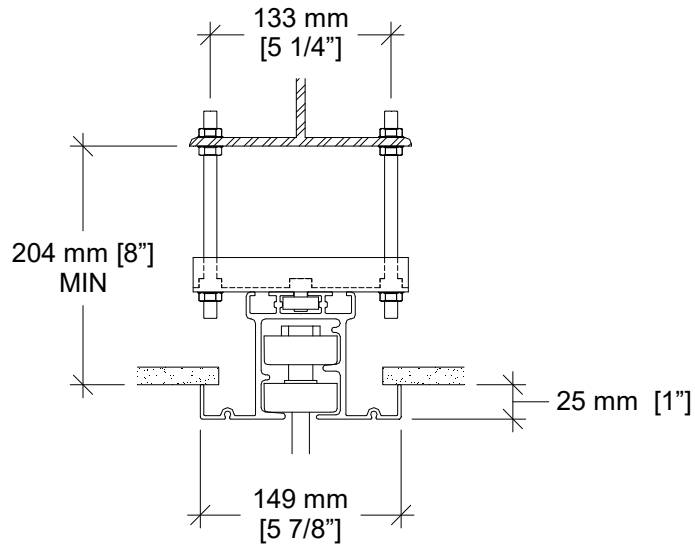
Vertical Section





MODERCO

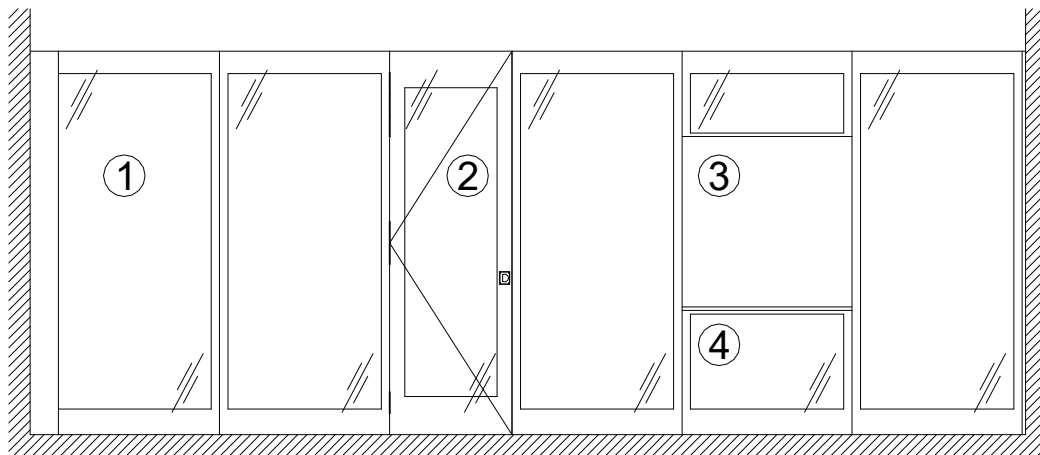
Track Options



Optional hanger bracket

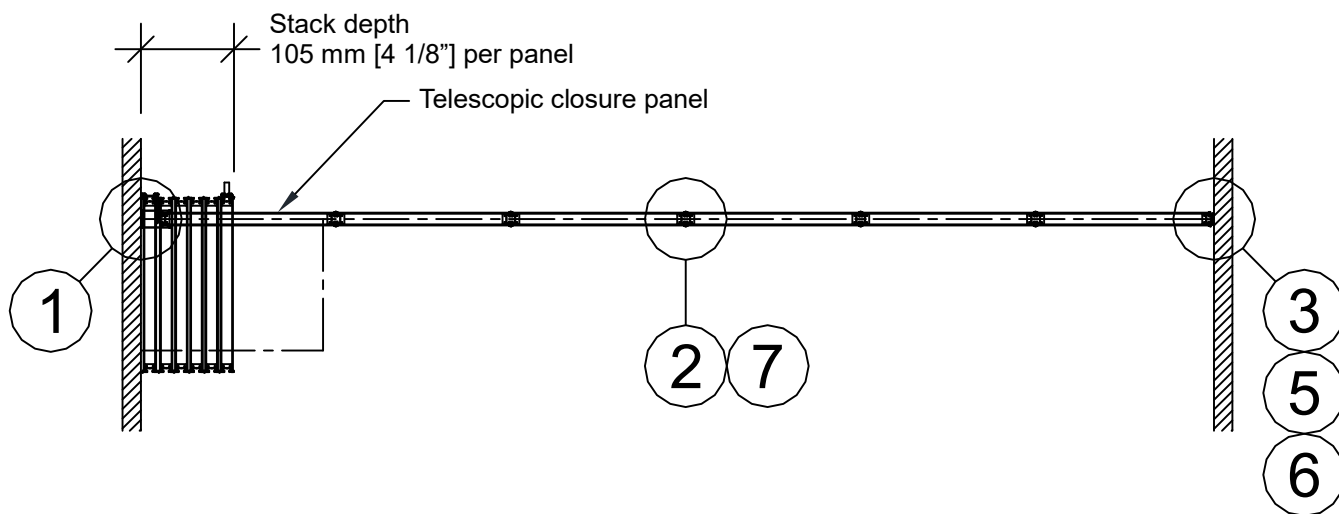
Required for installations where the topmost nuts cannot be used for adjustment.

Elevation

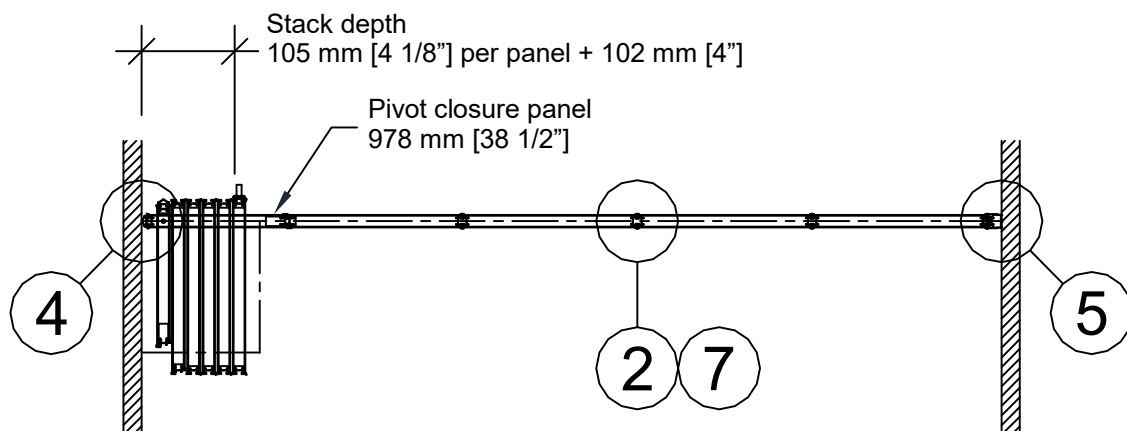


- 1- Telescopic closure panel
- 2- Full-height door
- 3- Work surfaces
- 4- Chalk tray

Plan Views

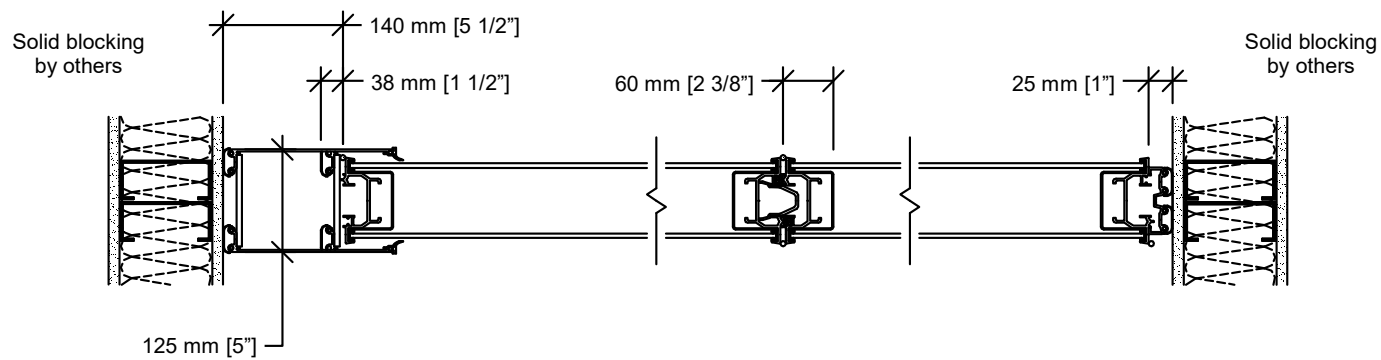


Telescopic closure panel

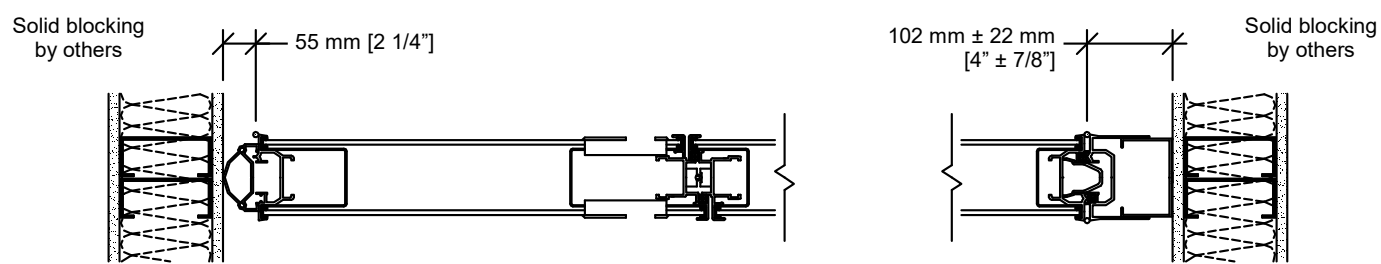


Pivot closure panel

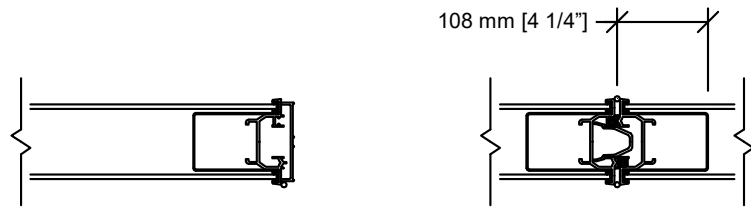
Horizontal Sections



① Telescopic closure
 ② Panel joint (panels type FA horizontal seals)
 ③ Bulb seal

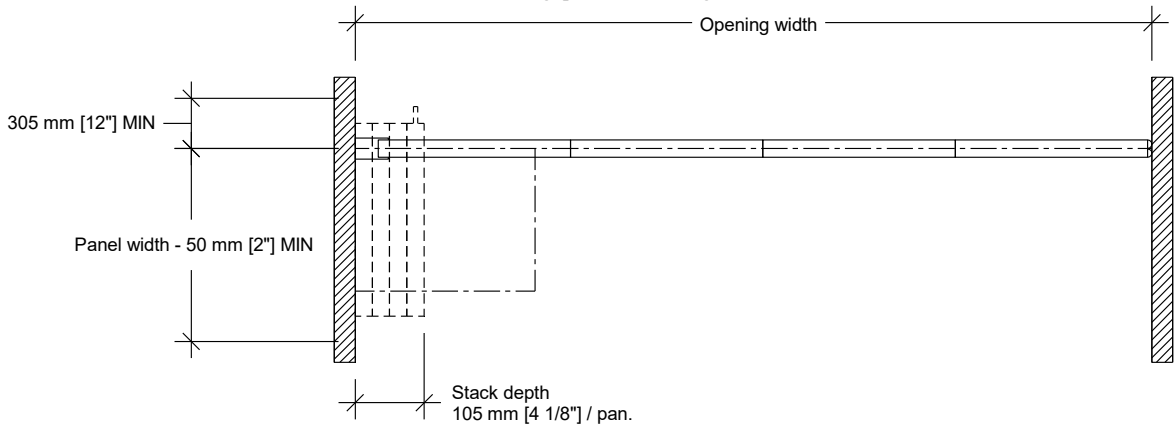


④ Pivot closure panel with recessed pulls and roller latch (optional)
 ⑤ Wall jamb (optional)

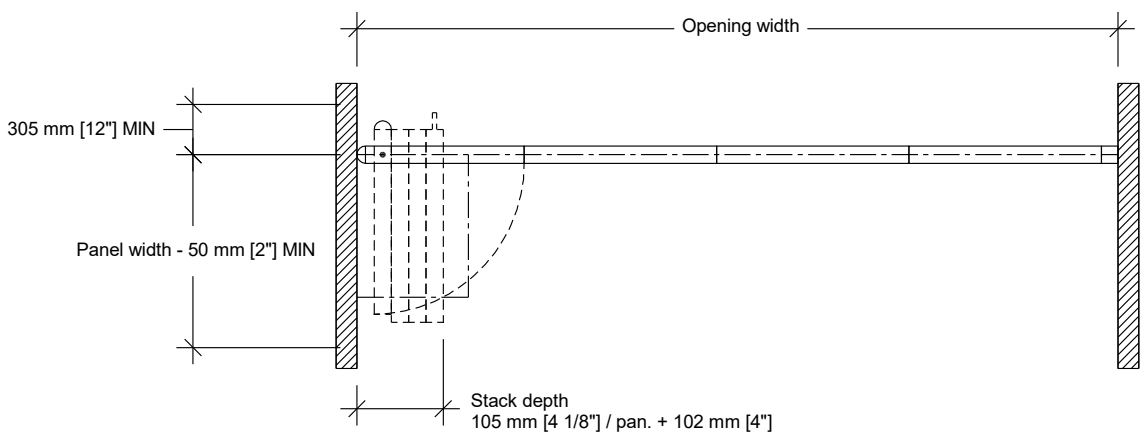


⑥ End cap (available on panels with manual seals only)
 ⑦ Panel joint (panels with FM-1.5 or MM-1.5 horizontal seals)

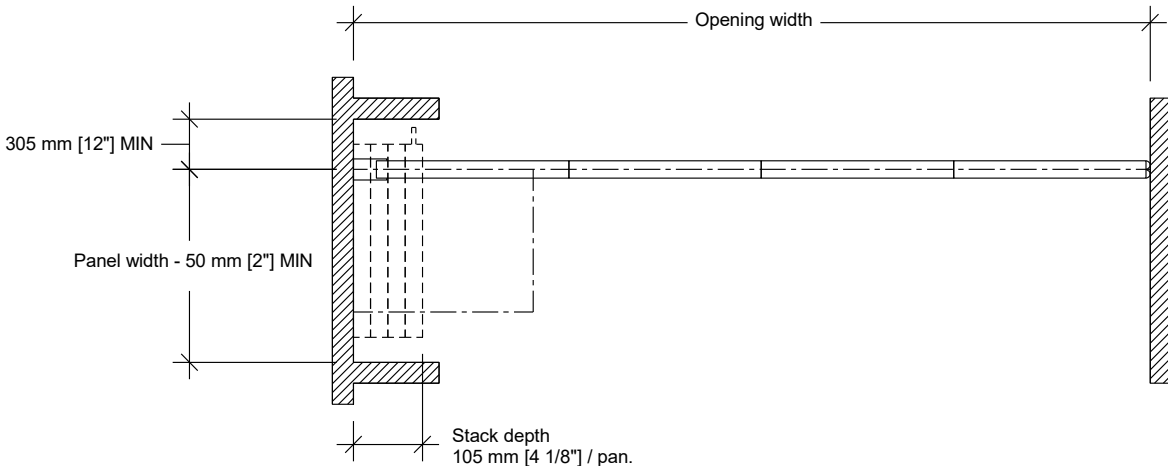
Typical Layouts



Wall to wall Side Stack – telescopic closure

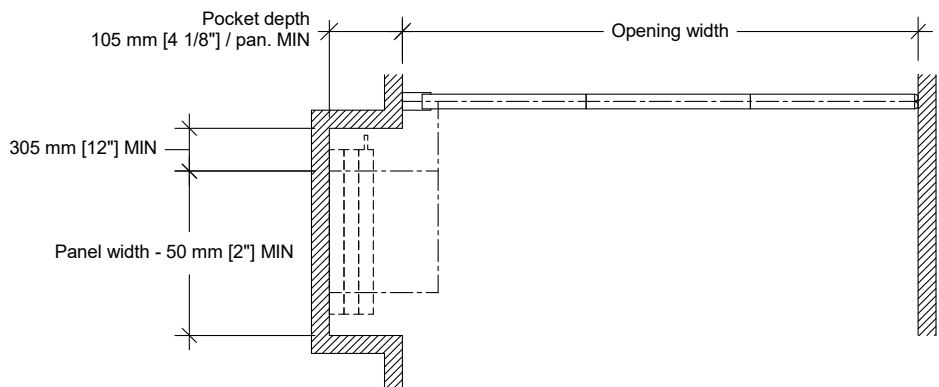


Wall to wall Side Stack – pivot closure

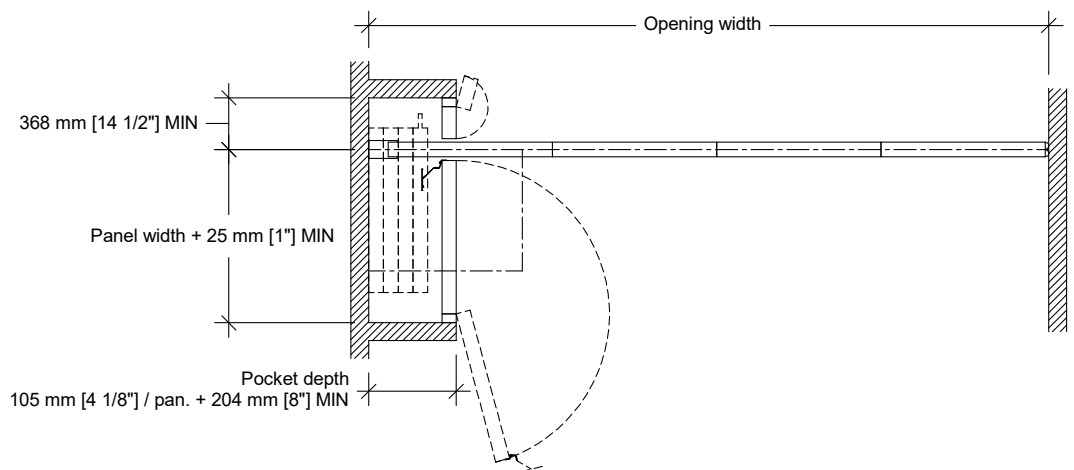


Pocket

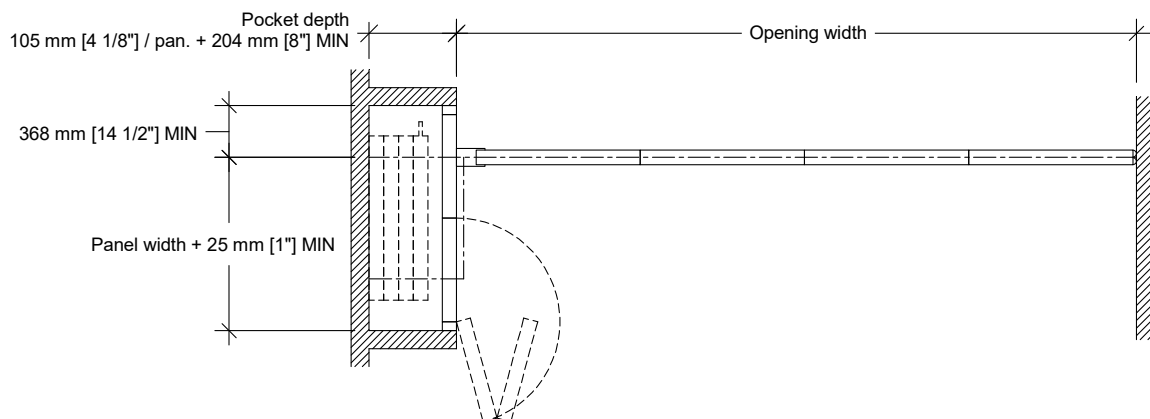
Typical Layouts (cont'd)



Remote Stack



**Pocket and PN-83 non-acoustical pocket door
(partition seals to back of pocket)**



**Pocket and PA-82B acoustical pocket door
(partition seals to face of pocket door)**