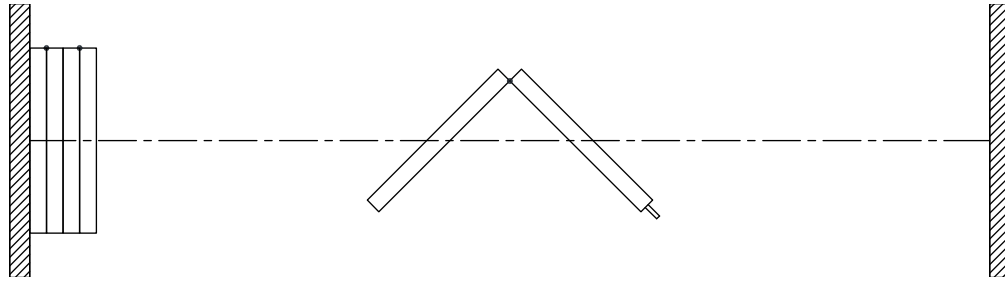


Technical Data Sheet Crystal 242



Features & Options

Standard Features

- Manually-operated paired-panel glass movable partition.
- STC 44.
- 102 mm [4"] nominal thickness. 1230 mm [48 1/2"] maximum width.
- Clear-anodized steel-reinforced aluminum frame.
- Protective trims on the entire perimeter.
- Combination aluminum and vinyl tongue and groove vertical sound seals between panels.
- Final closure by telescopic jamb.
- Type FA horizontal seals:
 - Fixed top sweeps
 - Automatic retractable bottom seals set as panels are deployed
 - bottom seals provide a 50 mm [2"] floor clearance
- Clear-anodized 6063-T6 alloy aluminum track.
- Each panel supported by one carriers made up of four vertically-aligned precision-ground hardened steel ball bearing wheels with nylon tires.

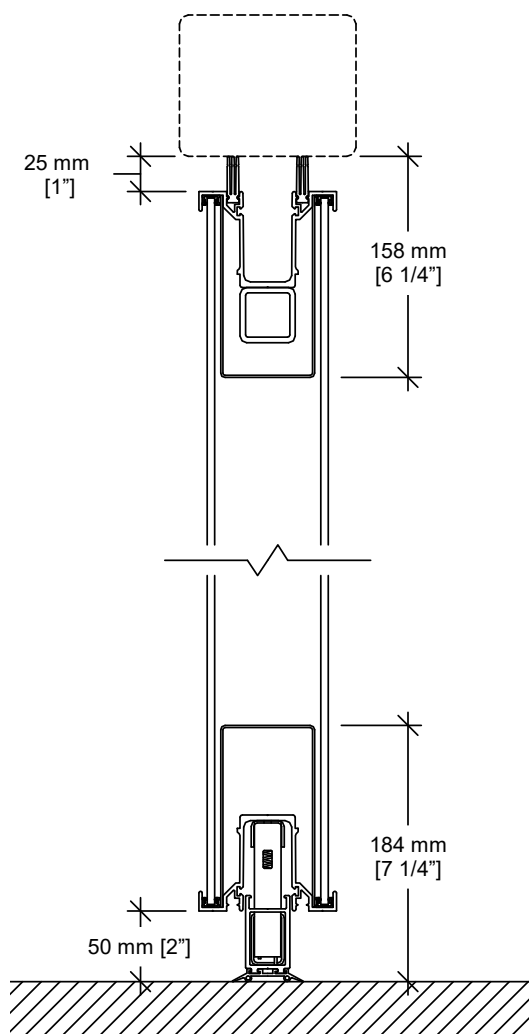
- 6 mm [1/4"] clear tempered glass faces.

- Maximum height : 3733 mm [12'-3"].

Optional Features and Accessories

- Powder-coated frame and/or track.
- 11 ga. steel track, painted white.
- Glass finishes : stained, colored, acid washed, frosted, etc.
- Battery-powered electrically tilting blinds and operated by remote control.
- Final closure by pivot panel.
- Inset white marker boards / chalk boards / natural cork tack boards.
- Chalk tray.
- Acoustical or non-acoustical pocket door.

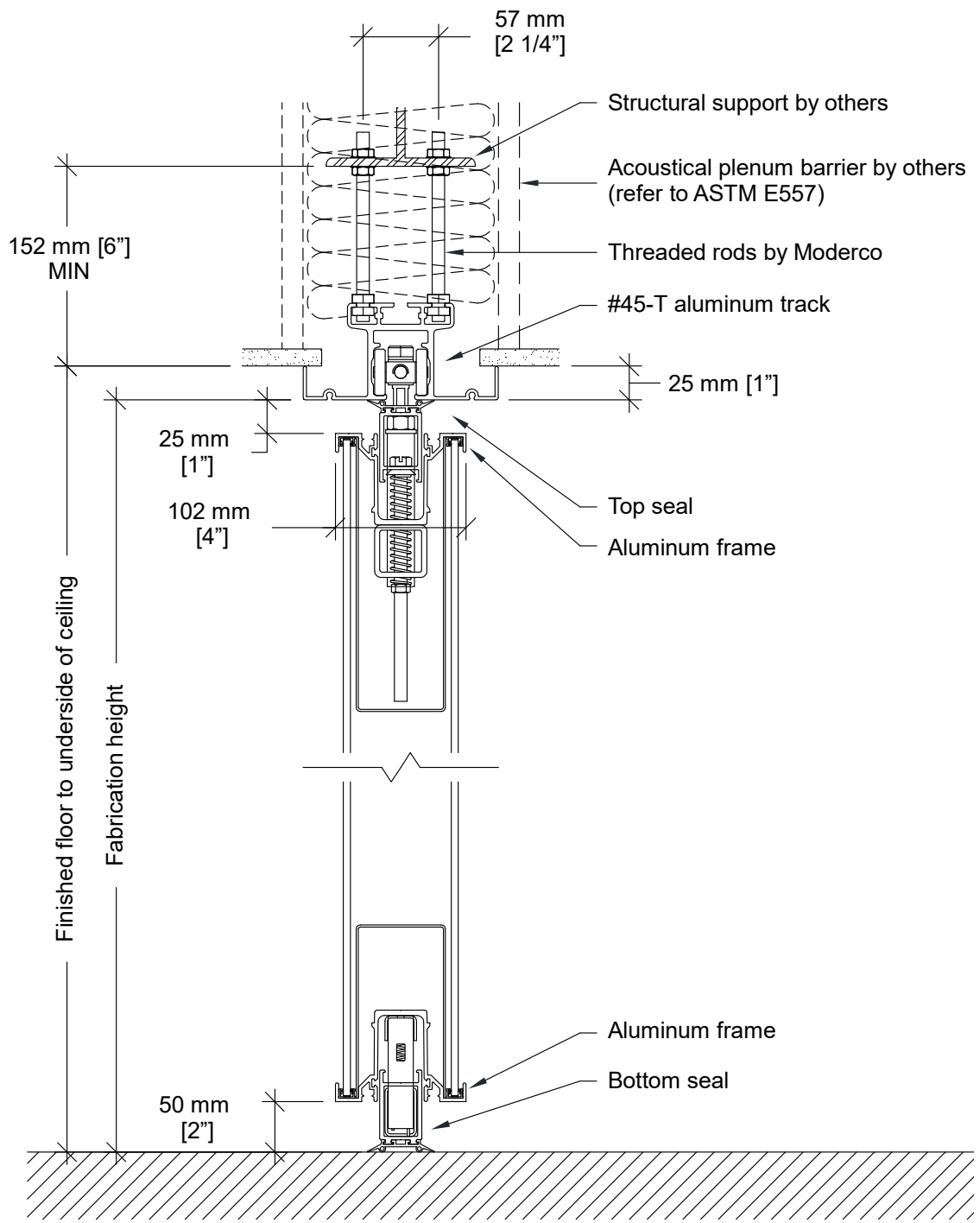
Horizontal Seals



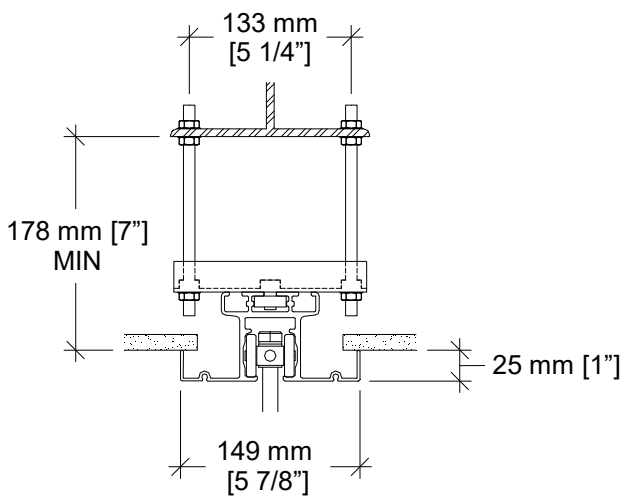
Type FA

Floor clearance : 50 mm [2"]
 Operating tolerances :
 +0 mm / -38 mm [+0" / -1 1/2"]

Vertical Section

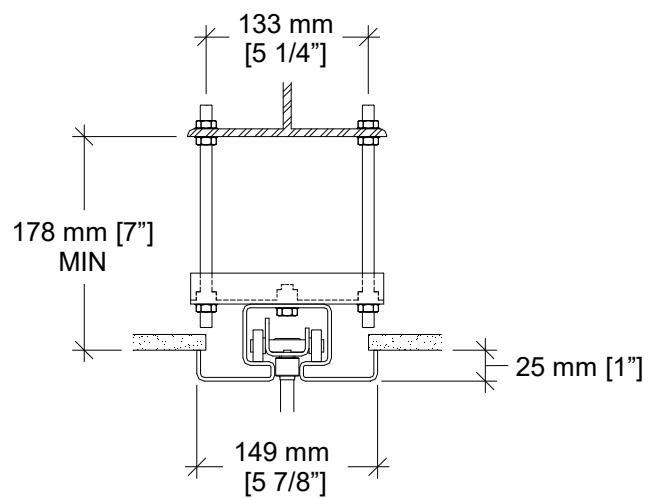


Track Options



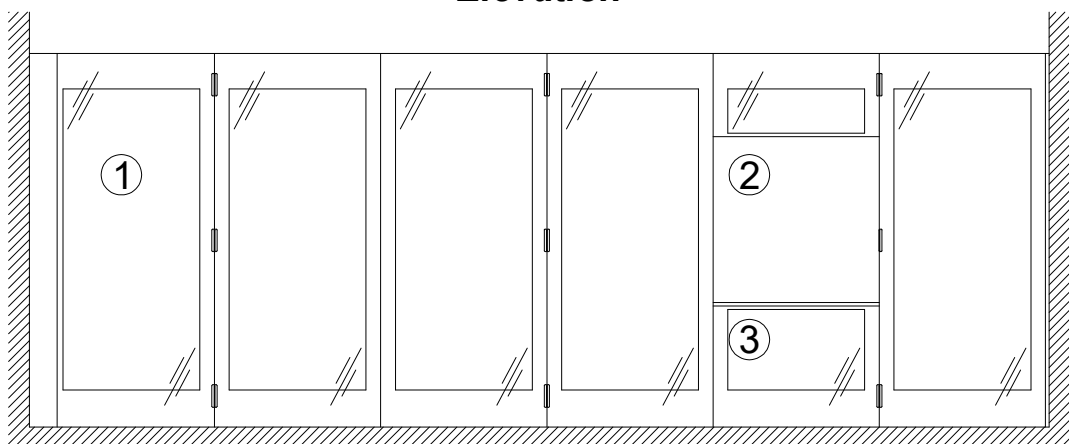
Optional hanger bracket

Required for installations where the topmost nuts cannot be used for adjustment.



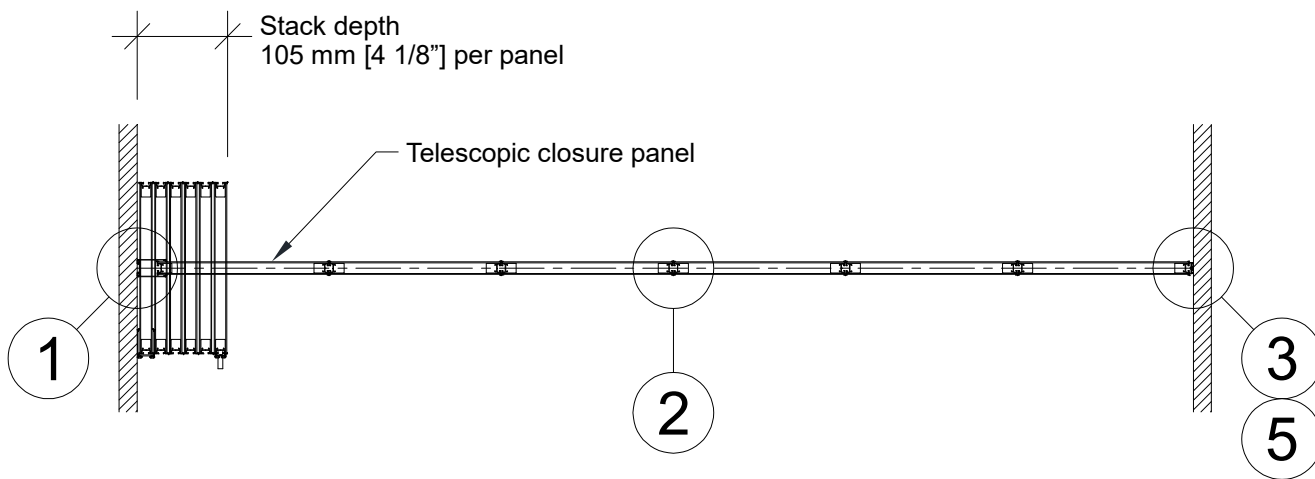
#72 steel track with hanger bracket

Elevation

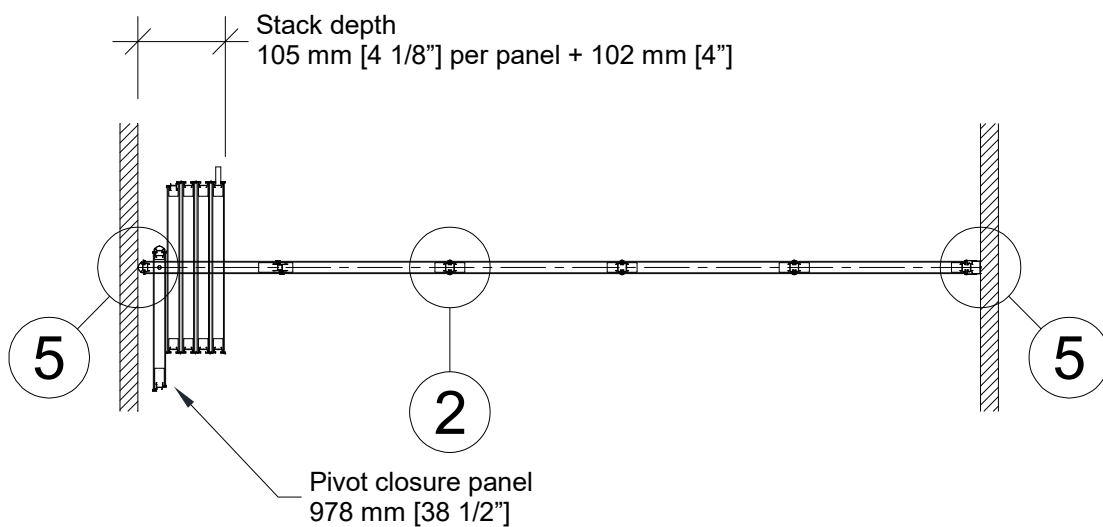


- 1- Telescopic closure panel
- 2- Work surfaces
- 3- Chalk tray

Plan Views

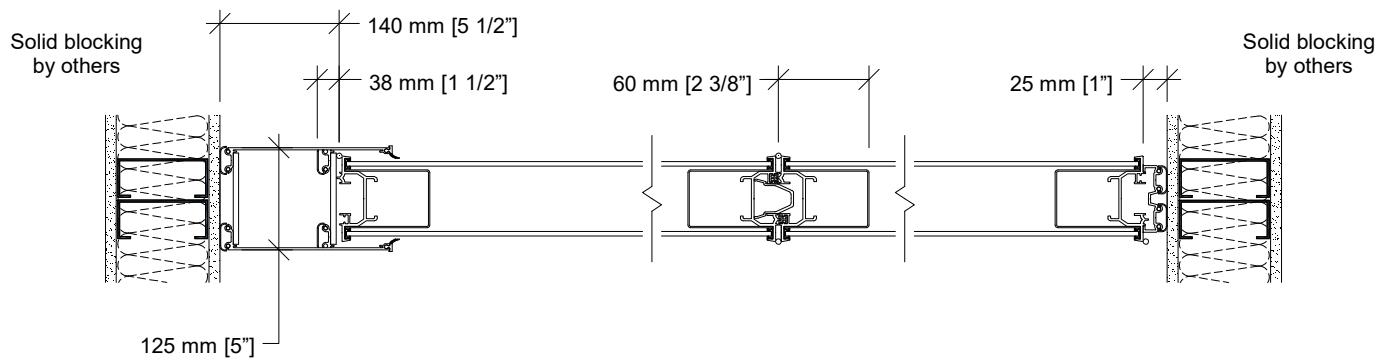


Telescopic closure panel



Pivot closure panel

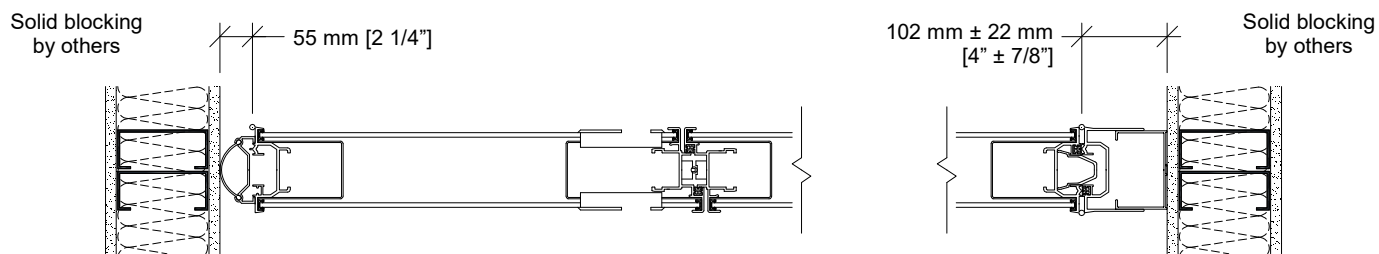
Horizontal Sections



1 Telescopic closure

2 Panel joint (panels type FA horizontal seals)

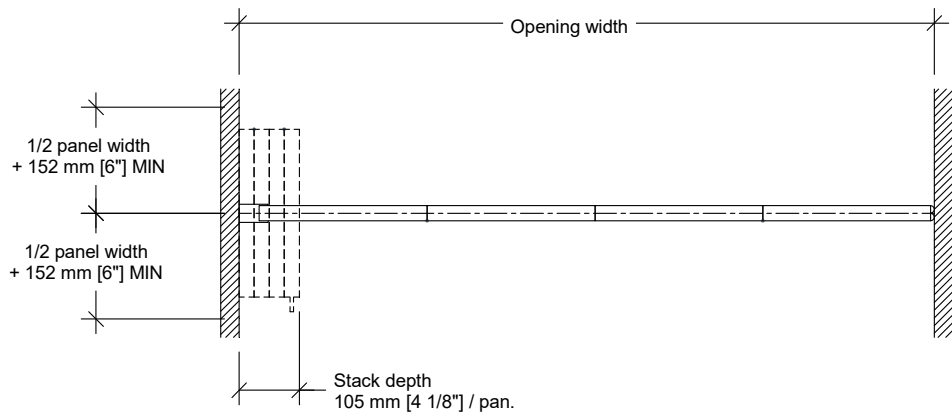
3 Bulb seal



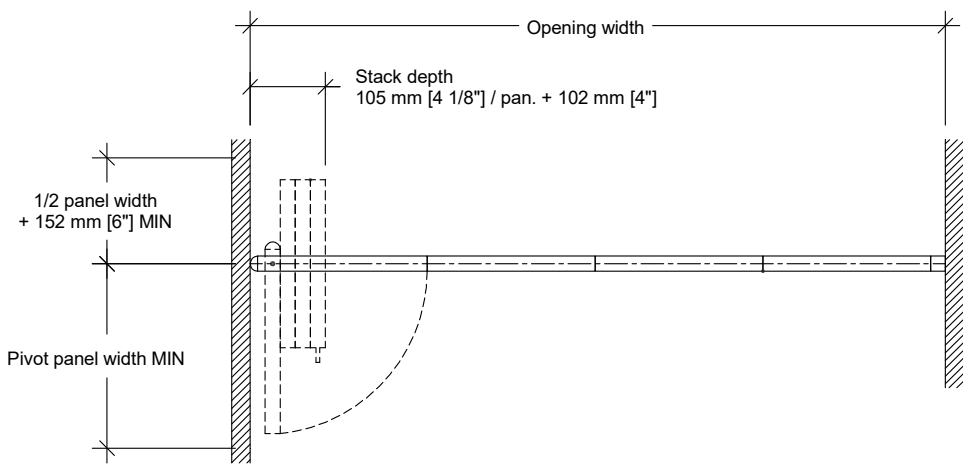
4 Pivot closure panel with recessed pulls and roller latch (optional)

5 Wall jamb (optional)

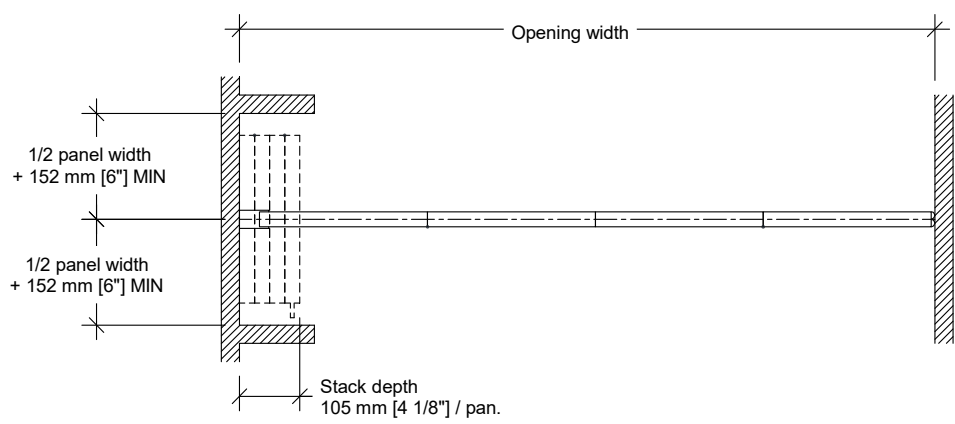
Typical Layouts



Wall to wall – telescopic closure

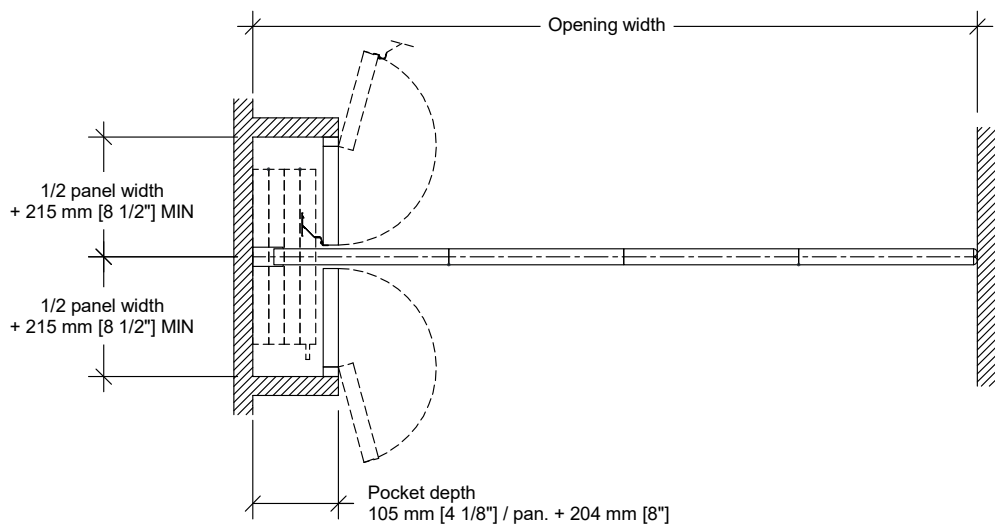


Wall to wall – pivot closure

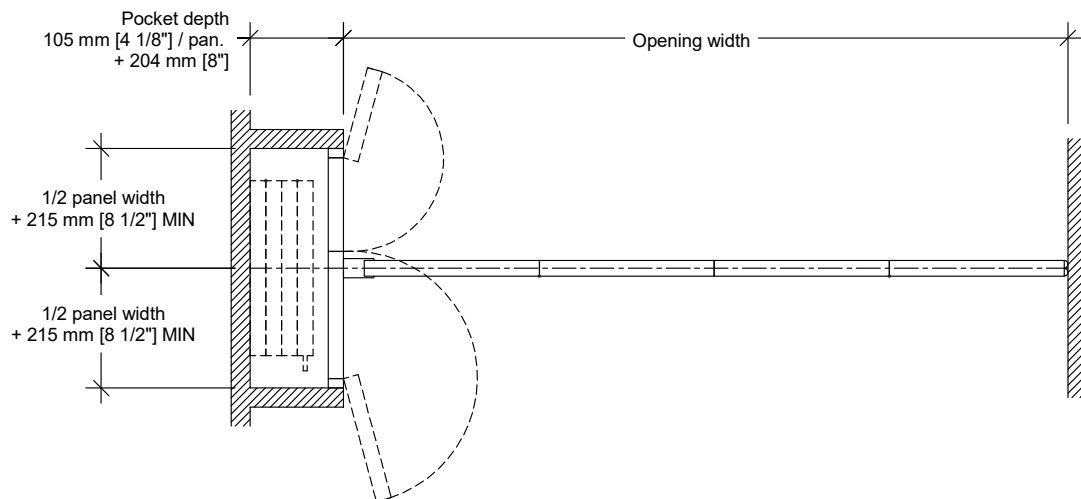


Pocket

Typical Layouts (cont'd)



**Pocket and PN-83 non-acoustical pocket door
(partition seals to back of pocket)**



**Pocket and PA-82 acoustical pocket door
(partition seals to face of pocket door)**