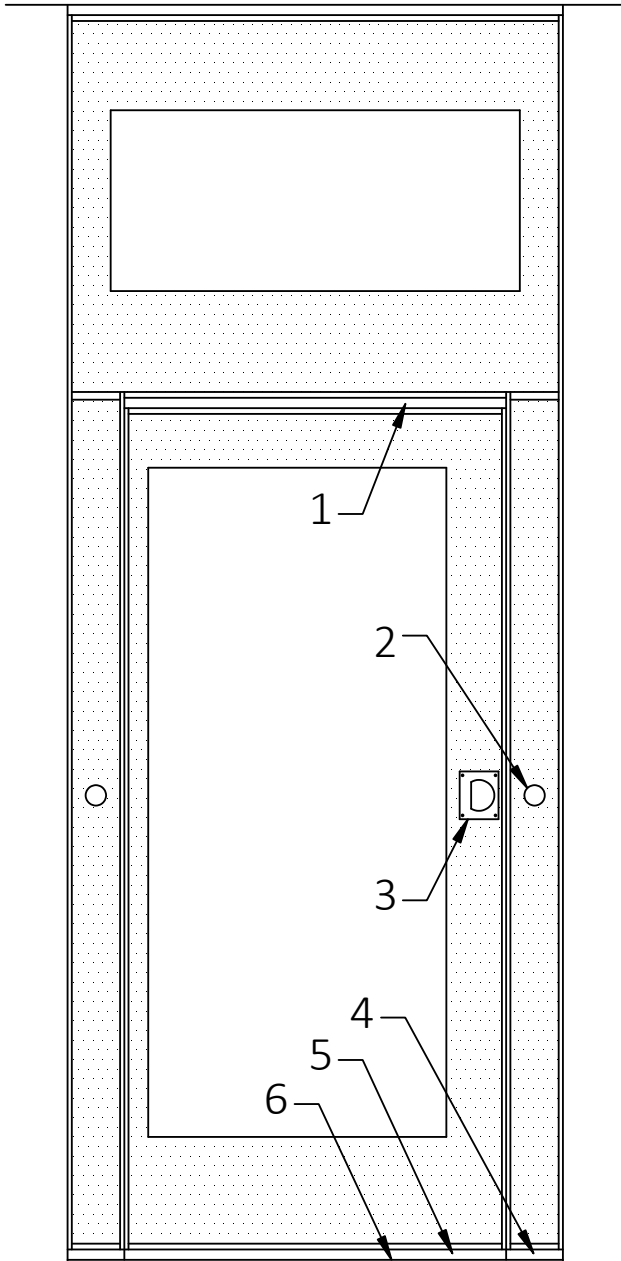


Technical Data Sheet Crystal 200 Single Pass Door

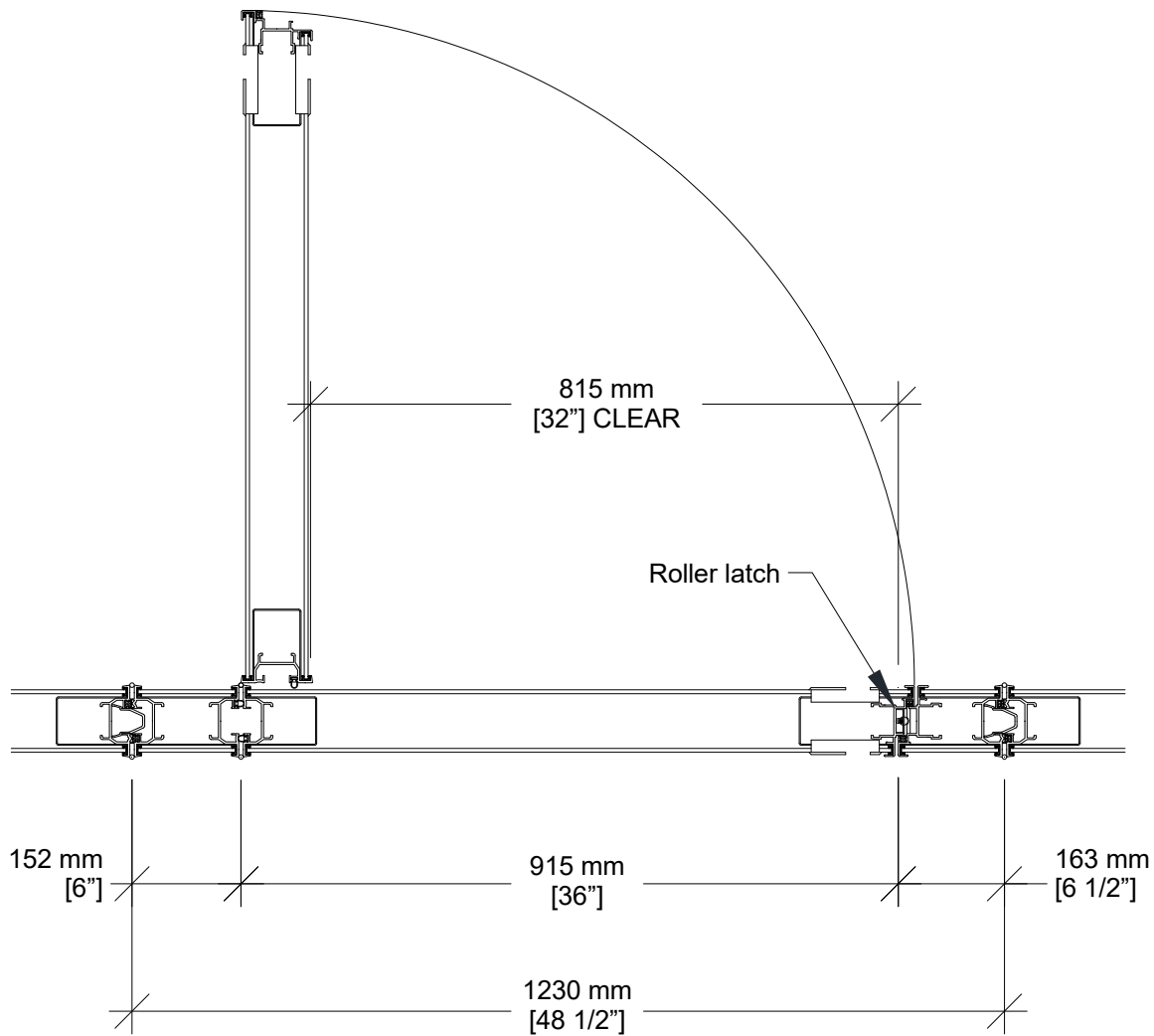


- Same core construction as movable partition panels
- Low profile hinges
- Flush pulls and roller latch
- See-through or opaque transom section

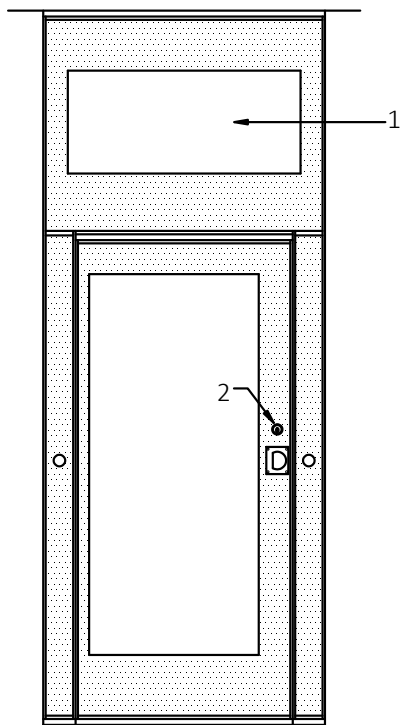
		MIN Ceiling Height	
Transom	Door height	Partition seals: manual	Partition seals: automatic
See-through	2134 mm [7'-0"]	2834 mm [9'-3 1/2"]	2732 mm [8'-11 1/2"]
See-through	2032 mm [6'-8"]	2732 mm [8'-11 1/2"]	2630 mm [8'-7 1/2"]
Opaque	2032 mm [6'-8"]	2476 mm [8'-1 1/2"]	2476 mm [8'-1 1/2"]

- 1- Fixed sweeps
- 2- Retractable seal activator
- 3- Flush pull
- 4- Manually-activated bottom seals
- 5- Automatically-activated door seal
- 6- ADA-compliant door threshold :
 - 12 mm [1/2"] thickness
 - 2 to 1 slope

Horizontal Section



Optional Features & Hardware



1- See-through transom section. See table on page 1 for minimum panel height.

2- Deadbolt lock ¹

3- Exit sign

- Self-luminous "Running Man" exit sign with green faceplate (standard outside USA, optional in USA)
- Photoluminescent "EXIT" sign with red faceplate (standard in USA, optional elsewhere)
- Photoluminescent "EXIT" sign with green faceplate (optional)
- Self-luminous "EXIT" sign with red faceplate (optional).
- Self-luminous "EXIT" sign with green faceplate (optional)

4- Panic bar (concealed door closer included) ²

5- Panic bar lever (with optional lock)

6- Concealed door closer

¹ Not available with panic bar or exit sign

² Add 150 mm [6"] to stack depth for each panic bar

