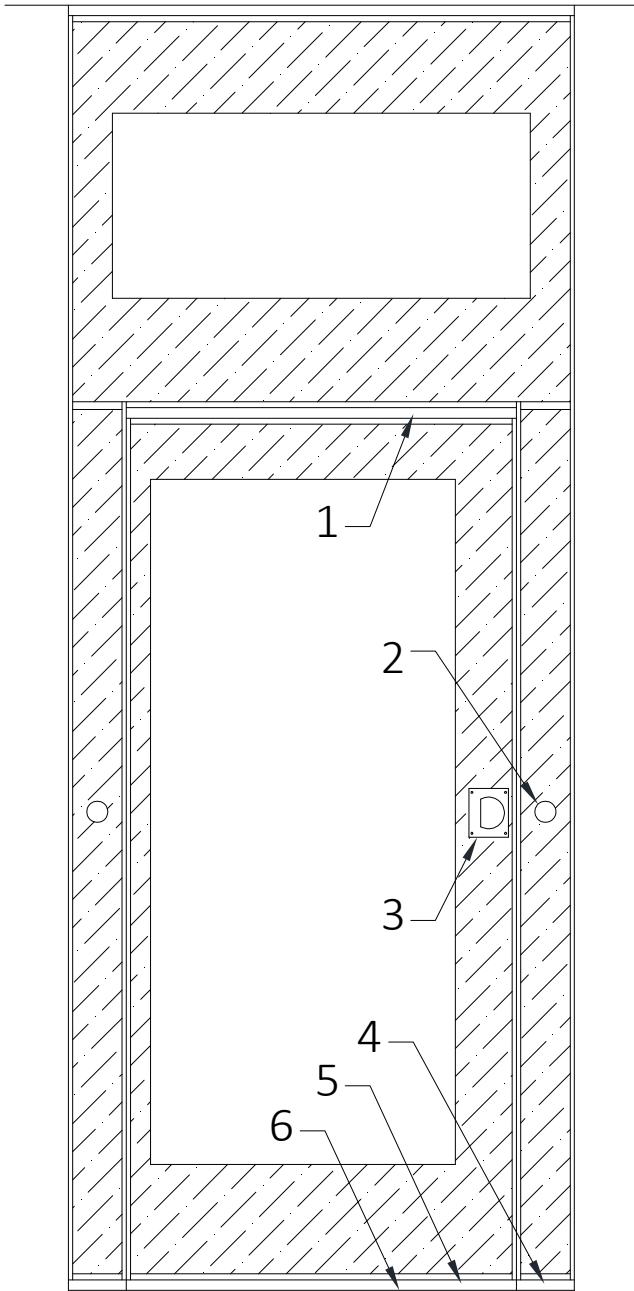


Technical Data Sheet Crystal 200 Single Pass Door



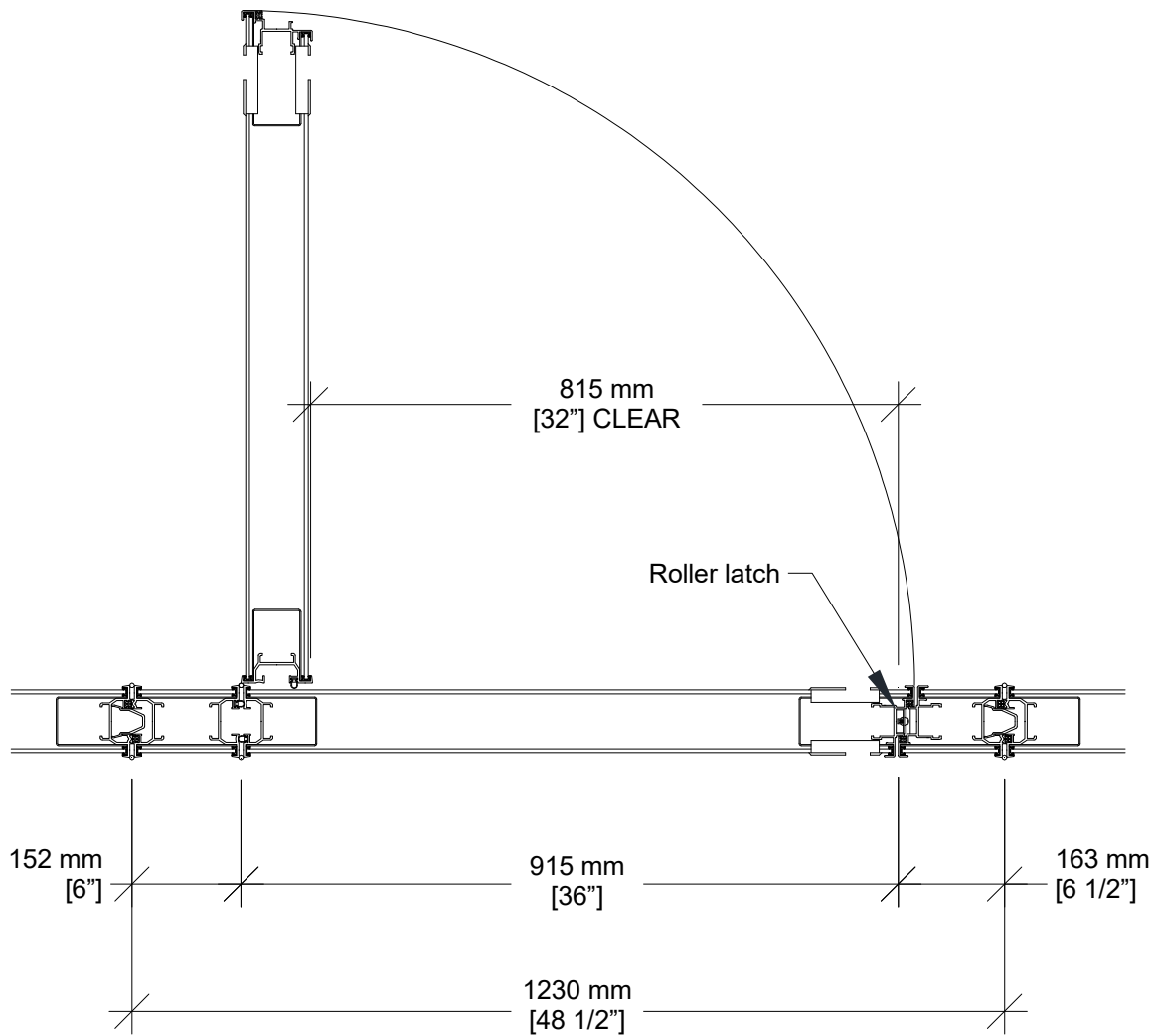
- Same core construction as movable partition panels
- Low profile hinges
- Flush pulls and roller latch
- See-through or opaque transom section

		MIN Ceiling Height	
<i>Transom</i>	<i>Door height</i>	<i>Partition seals: manual</i>	<i>Partition seals: automatic</i>
<i>See-through</i>	2134 mm [7'-0"]	2832 mm [9'-3 1/2"]	2731 mm [8'-11 1/2"]
<i>See-through</i>	2032 mm [6'-8"]	2731 mm [8'-11 1/2"]	2629 mm [8'-7 1/2"]
<i>Opaque</i>	2032 mm [6'-8"]	2518 mm [8'-3 1/8"]	2518 mm [8'-3 1/8"]

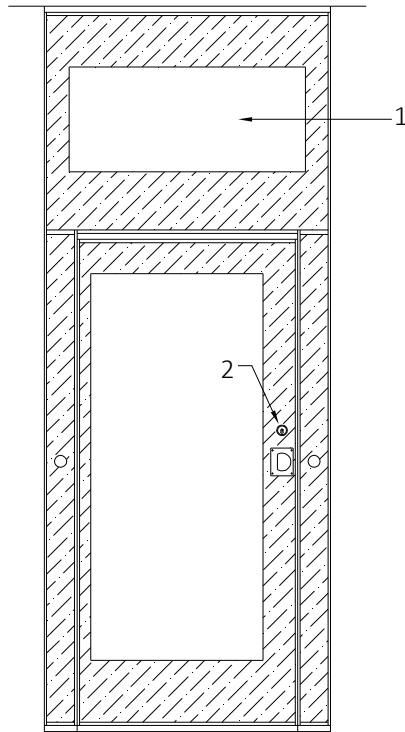
- 1- Fixed sweeps
- 2- Retractable seal activator
- 3- Flush pull
- 4- Manually-activated bottom seals
- 5- Automatically-activated door seal
- 6- ADA-compliant door threshold :
 - 12 mm [1/2"] thickness
 - 2 to 1 slope



Horizontal Section



Optional Features & Hardware



1- See-through transom section. See table on page 1 for minimum panel height.

2- Deadbolt lock ¹

3- Self-luminescent Exit Sign

- standard red faceplate
- optional green faceplate
- optional "Running Man" with green faceplate

4- Panic Bar ²

5- Panic Bar Lever (with optional lock)

6- Concealed Door Closer

¹ Not available with panic bar or exit sign

² Add 102 mm [4"] to stack depth for each panic bar

