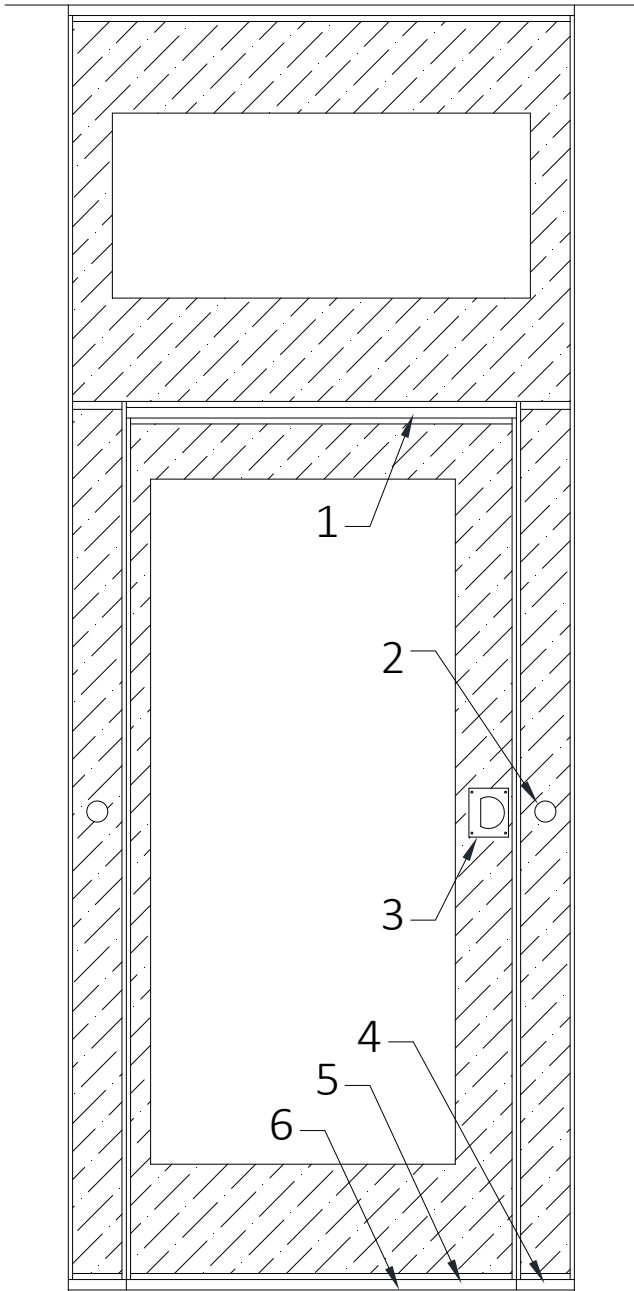


## Technical Data Sheet Crystal 200 Single Pass Door



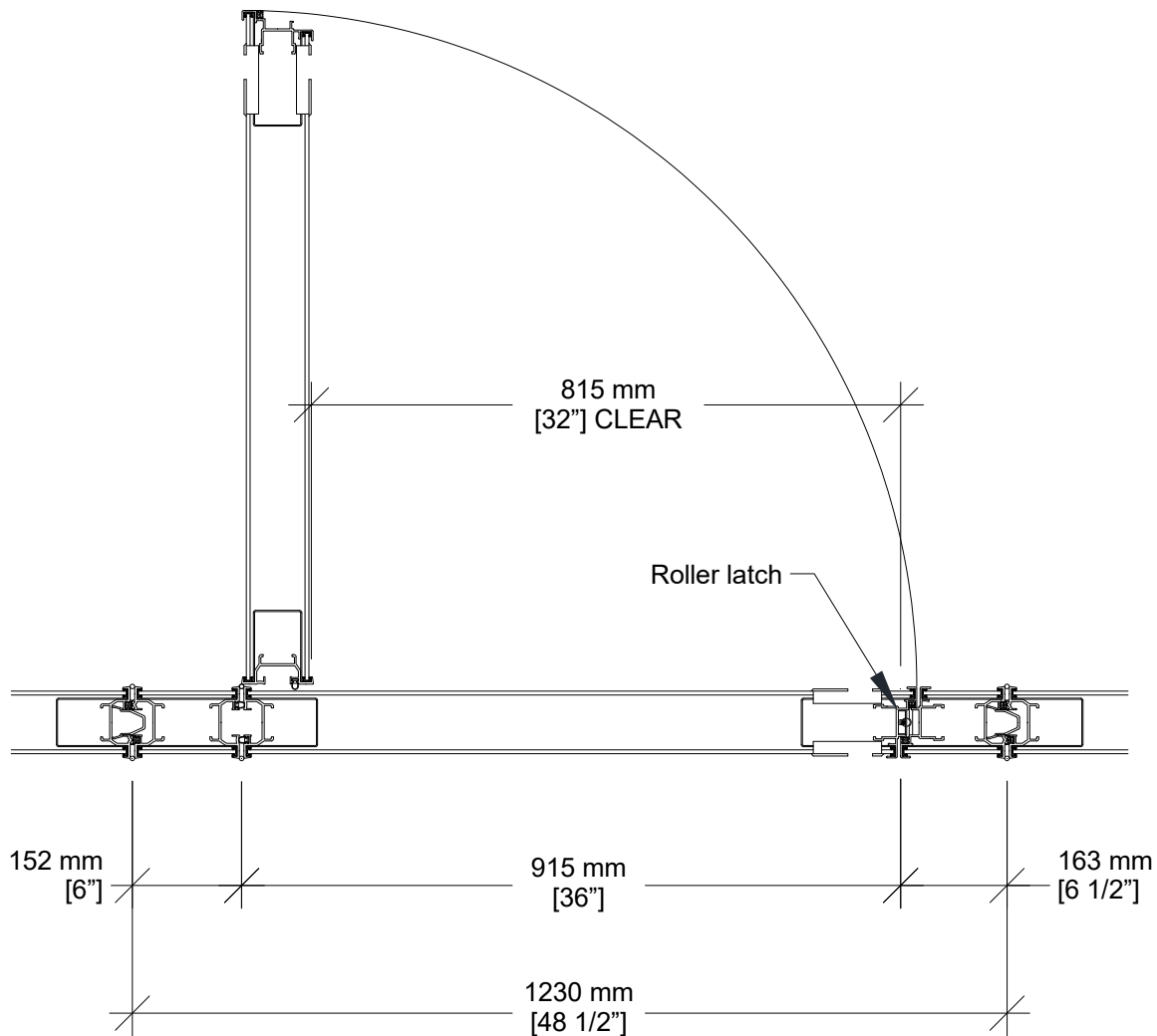
- Same core construction as movable partition panels
- Low profile hinges
- Flush pulls and roller latch
- See-through or opaque transom section

		MIN Ceiling Height	
Transom	Door height	Partition seals: manual	Partition seals: automatic
See-through	2134 mm [7'-0"]	2809 mm [9'-2 1/2"]	2707 mm [8'-10 1/2"]
See-through	2032 mm [6'-8"]	2707 mm [8'-10 1/2"]	2605 mm [8'-6 1/2"]
Opaque	2032 mm [6'-8"]	2451 mm [8'-0 1/2"]	2451 mm [8'-0 1/2"]

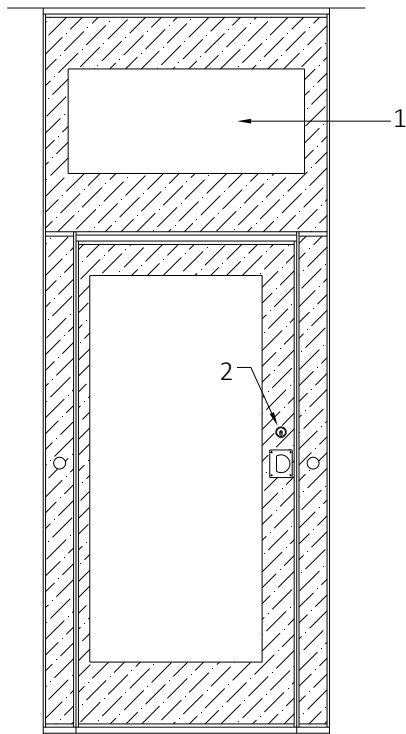
- 1- Fixed sweeps
- 2- Retractable seal activator
- 3- Flush pull
- 4- Manually-activated bottom seals
- 5- Automatically-activated door seal
- 6- ADA-compliant door threshold :
  - 12 mm [1/2"] thickness
  - 2 to 1 slope



**Horizontal Section**



### Optional Features & Hardware



1- See-through transom section. See table on page 1 for minimum panel height.

2- Deadbolt lock <sup>1</sup>

3- Self-luminescent Exit Sign

- standard red faceplate
- optional green faceplate
- optional "Running Man" with green faceplate

4- Panic Bar <sup>2</sup>

5- Panic Bar Lever (with optional lock)

6- Concealed Door Closer

<sup>1</sup> Not available with panic bar or exit sign

<sup>2</sup> Add 102 mm [4"] to stack depth for each panic bar

