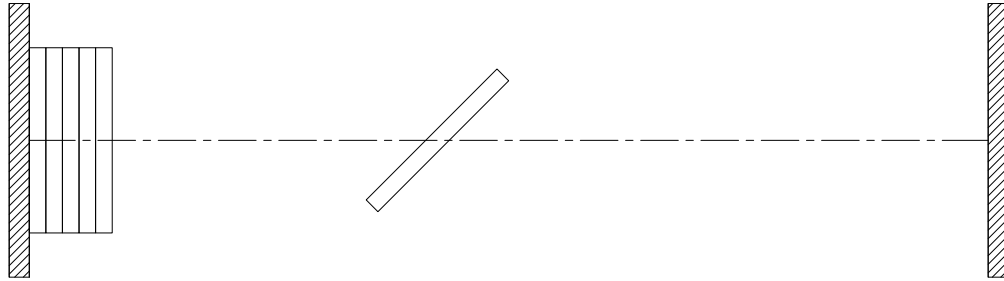




**MODERCO**

Crystal 200 Series

## Technical Data Sheet Crystal 240



### Features & Options

#### **Standard Features**

- Manually-operated single-point individual-panel glass movable partition.
- STC 44.
- 102 mm [4"] nominal thickness. 1230 mm [48 1/2"] maximum width.
- Clear-anodized steel-reinforced aluminum frame.
- Protective trims on the entire perimeter.
- Combination aluminum and vinyl tongue and groove vertical sound seals between panels.
- Final closure by telescopic jamb.
- Type MM-1.5 horizontal seals:
  - top and bottom retractable seals
  - Manually-operated, simultaneously-activated top and bottom seals
  - bottom seals provide a 38 mm [1 1/2"] floor clearance
- Clear-anodized 6063-T6 alloy aluminum track.
- Each panel supported by one carriers made up of four vertically-aligned precision-ground hardened steel ball bearing wheels with nylon tires.
- 6 mm [1/4"] clear tempered glass faces.

- Maximum height : 3733 mm [12'-3"].

#### **Optional Features and Accessories**

- Powder-coated frame and/or track.
- 11 ga. steel track, painted white.
- Glass finishes : stained, colored, acid washed, frosted, etc.
- Battery-powered electrically tilting blinds operated by remote control.
- Inset white marker boards / chalk boards / natural cork tack boards.
- Chalk tray.
- Acoustical or non-acoustical pocket door.
- Final closure by ADA-compliant pivot panel.

#### Pivot panel options:

- panic bar
- panic bar with lockable lever
- deadbolt lock

**Optional Features and Accessories (cont'd)**

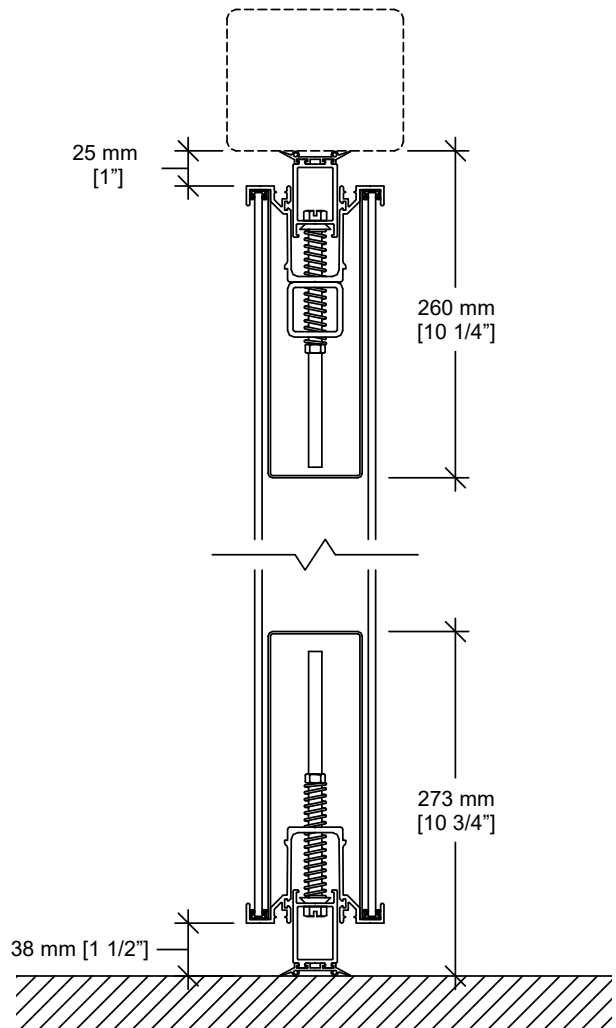
- ADA-compliant u-shaped pass door with flush pulls and roller latch.

Pass door options:

- concealed automatic closer
- panic bar (concealed automatic closer included)
- panic bar with lockable lever (concealed automatic closer included)
- self-luminous "Running Man" exit sign with green faceplate (standard outside USA, optional in USA) \*
- photoluminescent "EXIT" sign with red faceplate (standard in USA, optional elsewhere) \*
- photoluminescent "EXIT" sign with green faceplate (optional) \*
- self-luminous "EXIT" sign with red faceplate (optional) \*
- self-luminous "EXIT" sign with green faceplate (optional) \*
- deadbolt lock \*

\* An exit sign and a deadbolt lock will not be installed together on the same door.

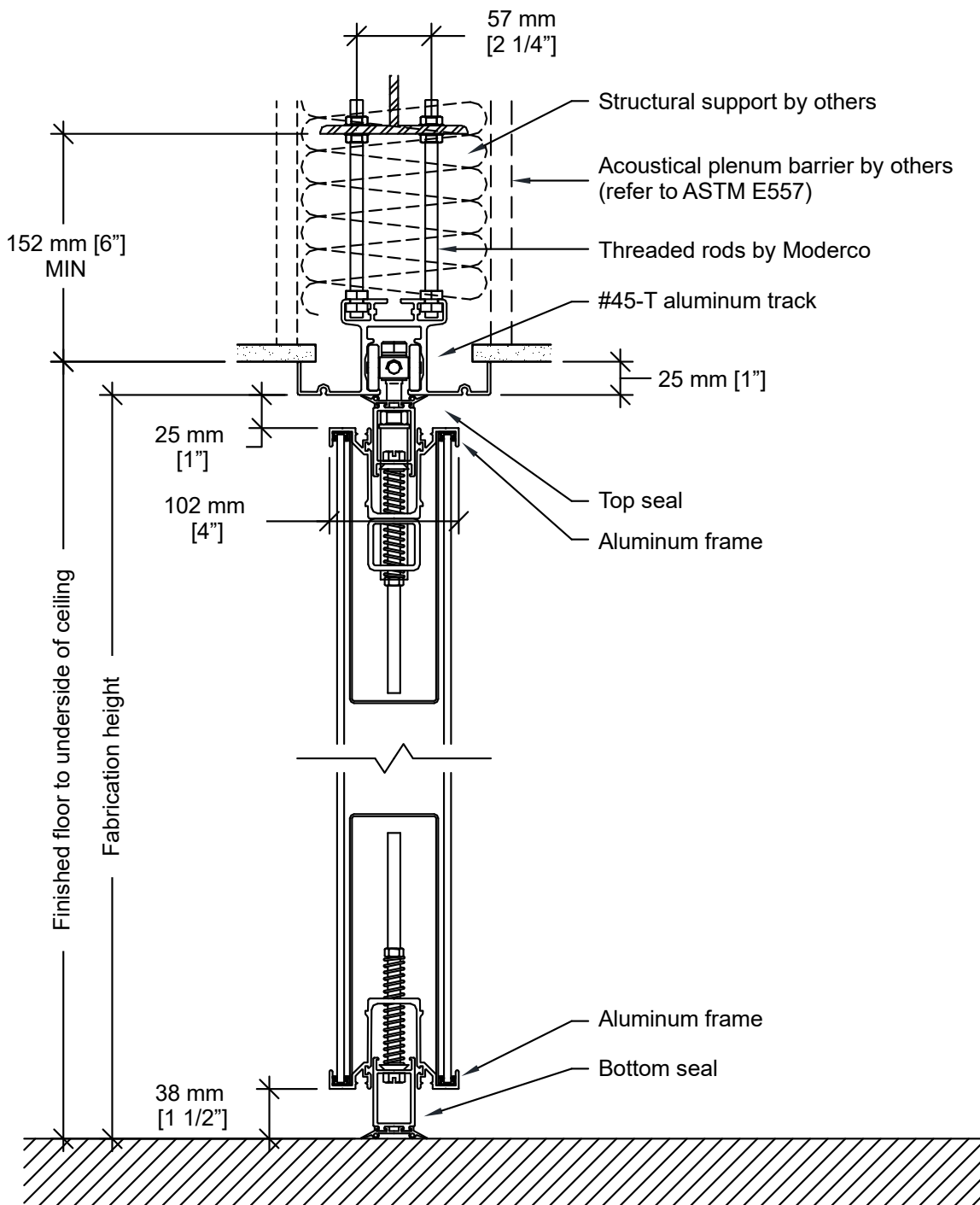
**Horizontal Seals**



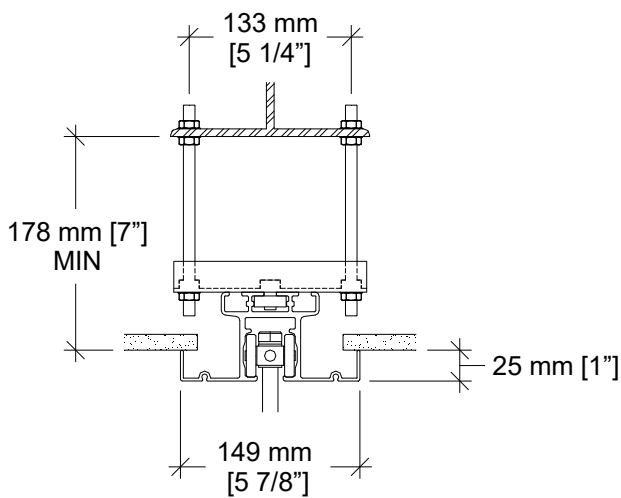
**Type MM-1.5**

Floor clearance : 38 mm [1 1/2"]  
 Operating tolerances :  
 +0 mm / -19 mm [+0" / -3/4"]  
 (+0 mm / -12 mm [+0" / -1/2"] if the partition has a pass through door)

### Vertical Section

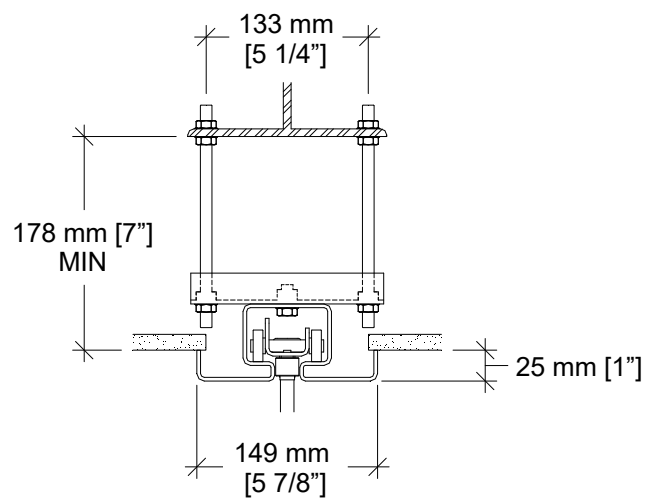


### Track Options



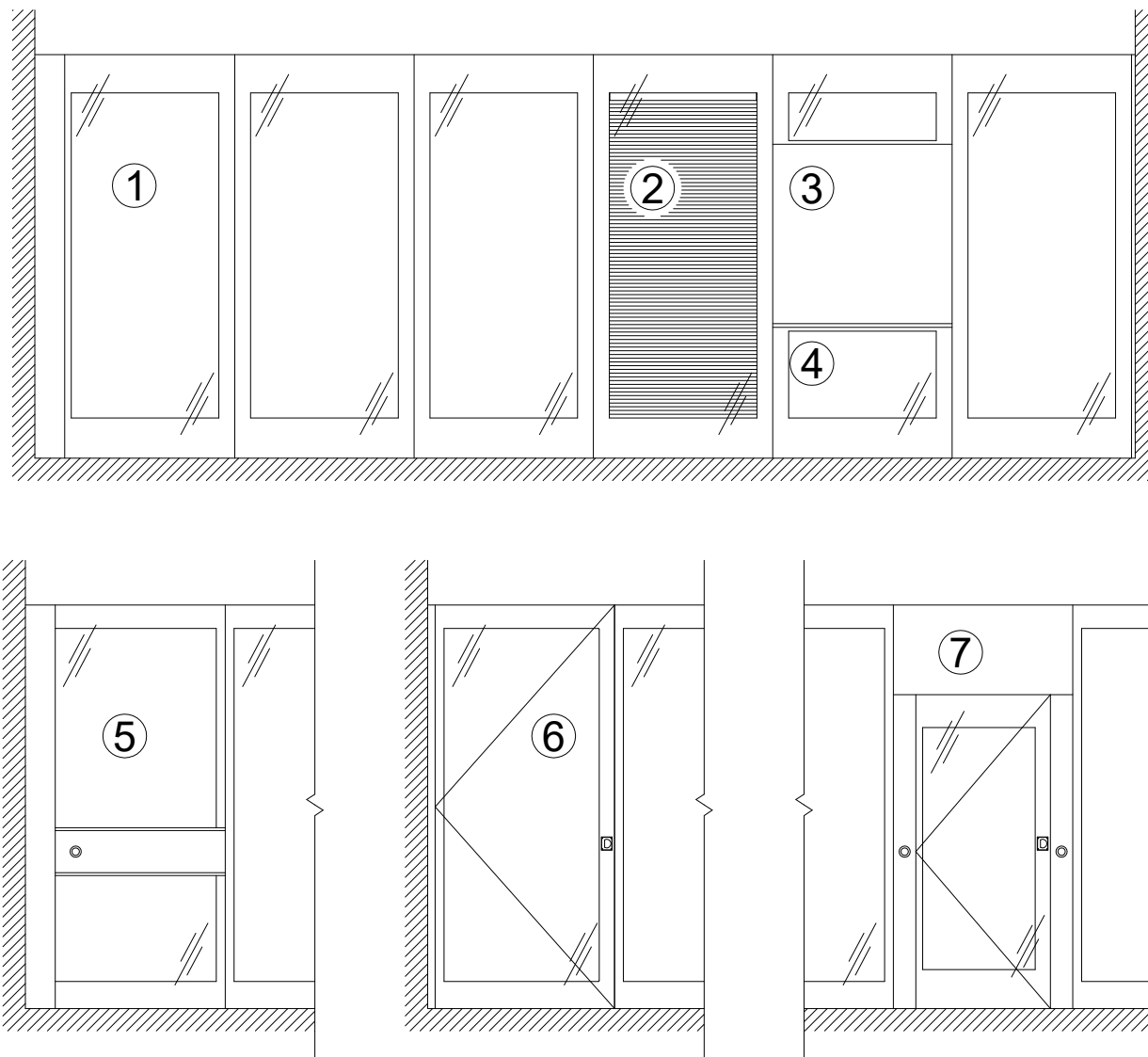
**Optional hanger bracket**

Required for installations where the topmost nuts cannot be used for adjustment.



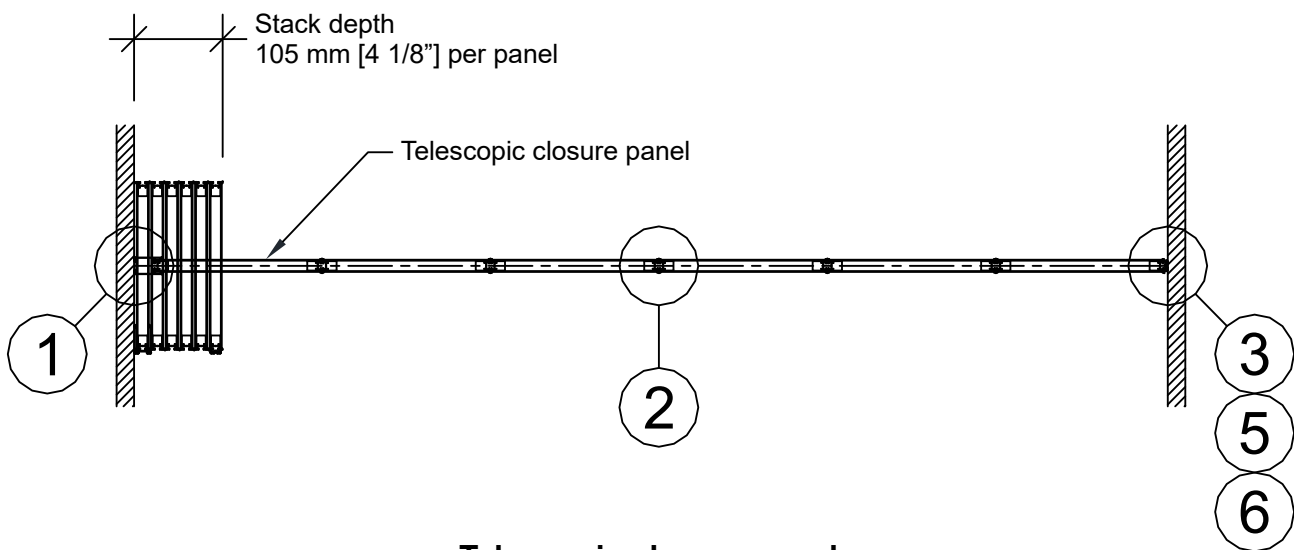
**#72 steel track with hanger bracket**

### Elevation

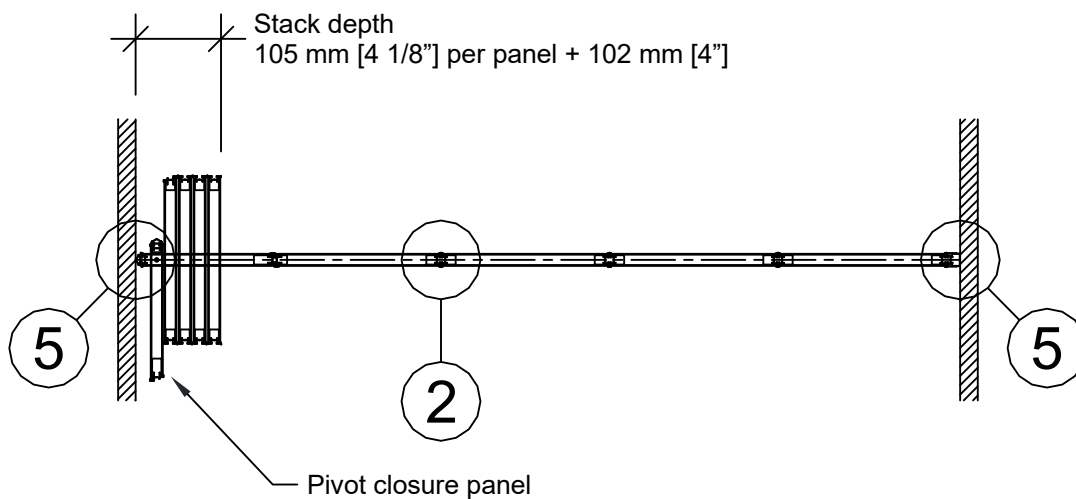


- 1- Telescopic closure panel
- 2- Electrically tilting blinds operated by remote control (optional)
- 3- Work surfaces (optional)
- 4- Marker tray (optional)
- 5- Telescopic closure panel with rack and pinion mechanism (optional)
- 6- Pivot panel (optional)
- 7- U-shaped pass door (optional)

**Plan Views**

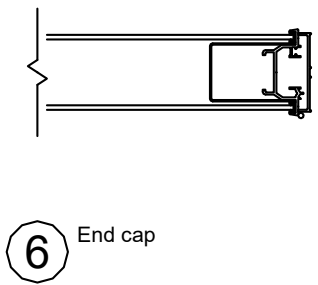
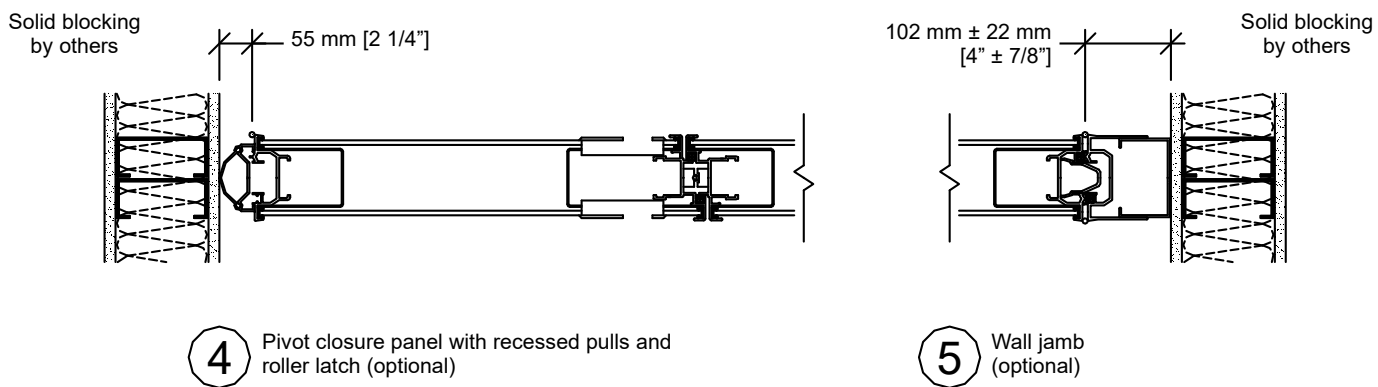
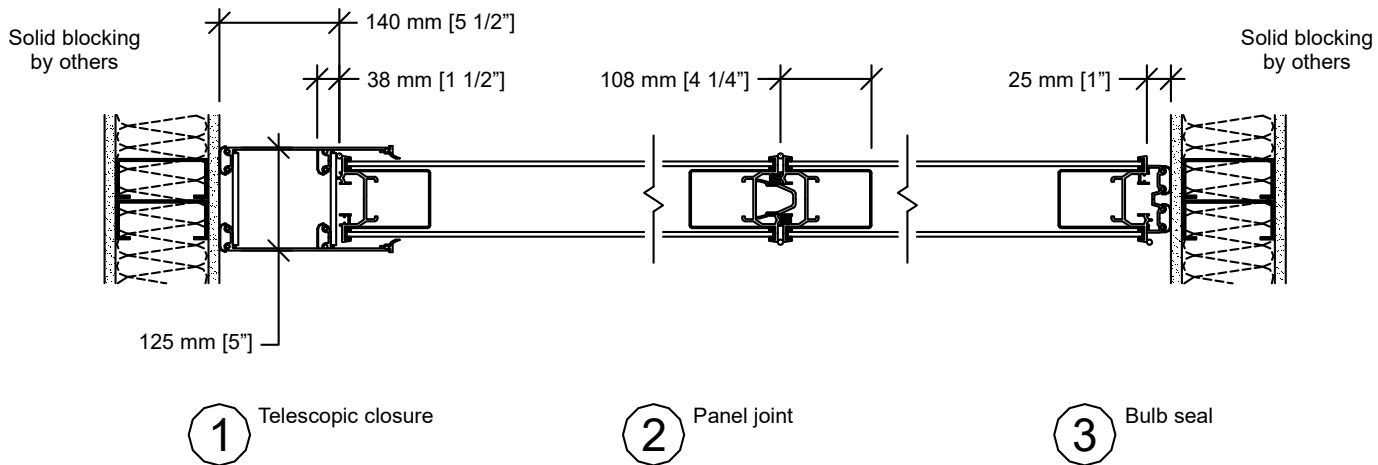


**Telescopic closure panel**

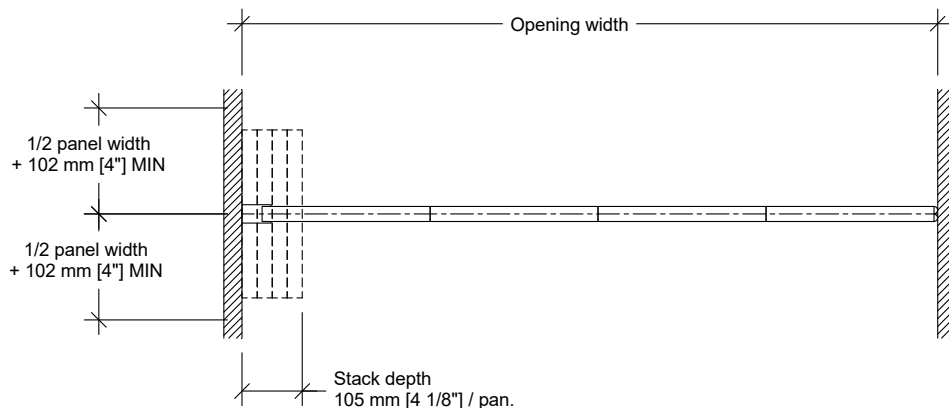


**Pivot closure panel**

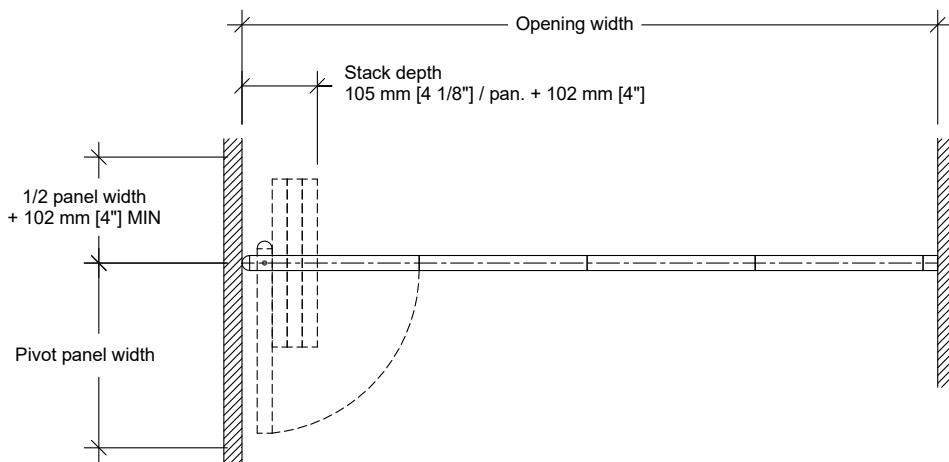
### Horizontal Sections



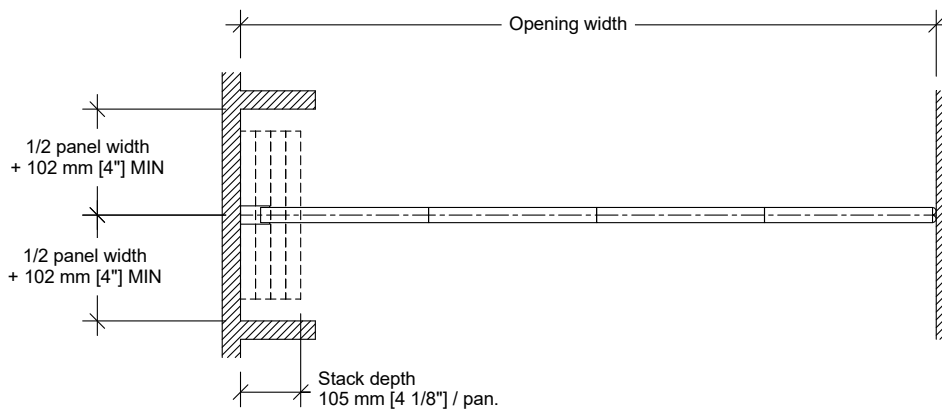
### Typical Layouts



### Wall to wall – telescopic closure



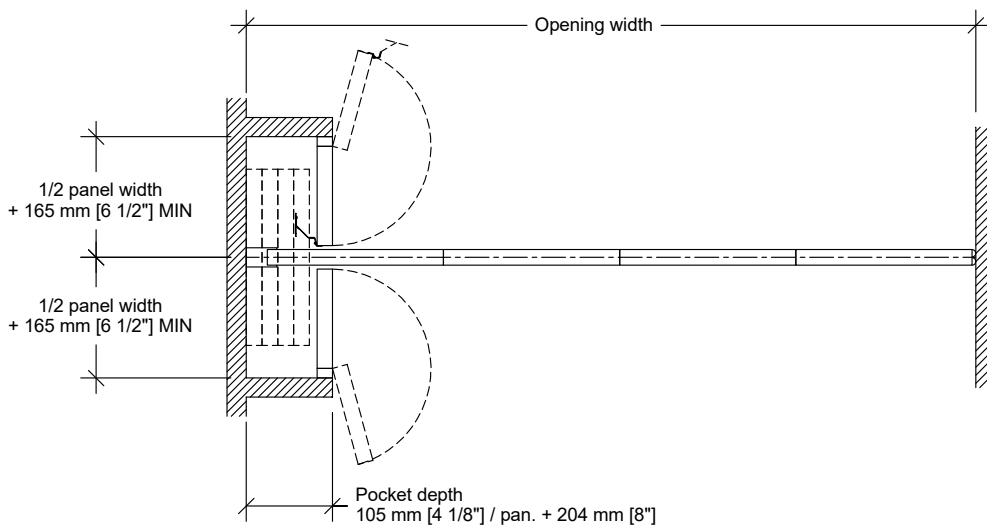
### Wall to wall – pivot closure



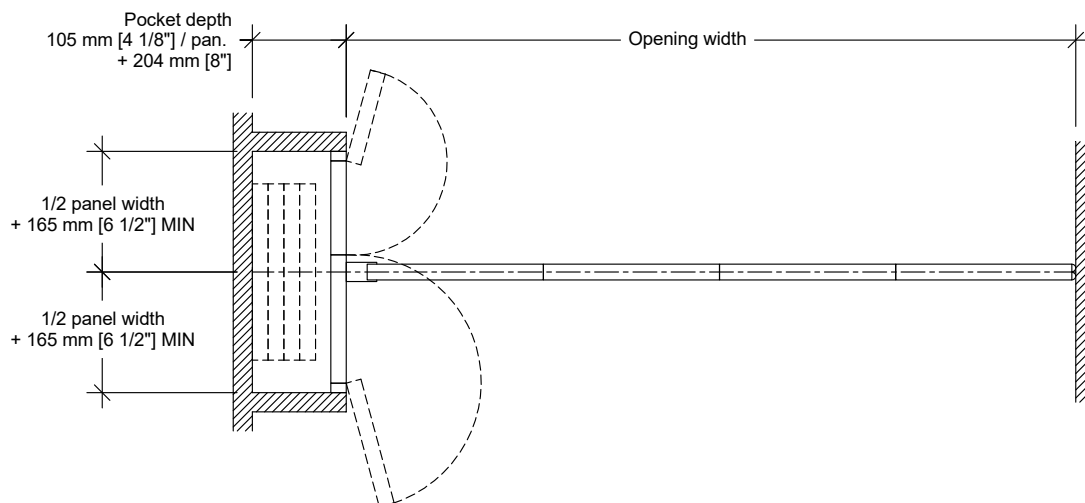
### Pocket



**Typical Layouts (cont'd)**



**Pocket and PN-83 non-acoustical pocket door  
(partition seals to back of pocket)**



**Pocket and PA-82 acoustical pocket door  
(partition seals to face of pocket door)**