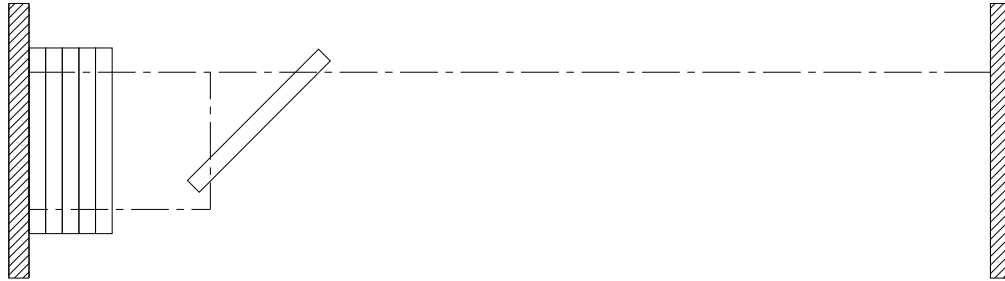




# MODERCO

Crystal 200 Series

## Technical Data Sheet Crystal 241 – STC 54



### Features & Options

#### Standard Features

- Manually-operated individual-panel glass movable partition.
- STC 54.
- 102 mm [4"] nominal thickness. 1230 mm [48 1/2"] maximum width.
- Clear-anodized steel-reinforced aluminum frame.
- Protective trims on the entire perimeter.
- Combination aluminum and vinyl tongue and groove vertical sound seals between panels.
- Final closure by telescopic jamb.
- Type MM-1 horizontal seals with fixed top sweeps:
  - Manually-operated, simultaneously-activated top and bottom retractable seals.
  - Bottom seals provide a floor clearance of 25 mm [1"].
- Clear-anodized 6063-T6 alloy aluminum track.
- Each panel supported by two carriers made up of two horizontally-aligned precision-ground hardened steel ball bearing wheels with nylon tires.
- 10 mm [3/8"] clear laminated tempered glass faces.

- Maximum height : 3110 mm [10'-2 1/2"].

#### Optional Features and Accessories

- Type MM-1.5 horizontal seals with fixed top sweeps:
  - Manually-operated, simultaneously-activated top and bottom retractable seals.
  - Bottom seals provide a floor clearance of 38 mm [1 1/2"].
- Powder-coated frame and/or track.
- Ultra-clear or painted glass.
- Battery-powered electrically tilting blinds operated by remote control.
- Inset white marker boards / chalk boards / natural cork tack boards.
- Chalk tray.
- Acoustical or non-acoustical pocket door.



**Optional Features and Accessories (cont'd)**

- Final closure by ADA-compliant pivot panel.

Pivot panel options:

- panic bar
- panic bar with lockable lever
- deadbolt lock

- ADA-compliant full-height hinged door with flush pulls and roller latch.

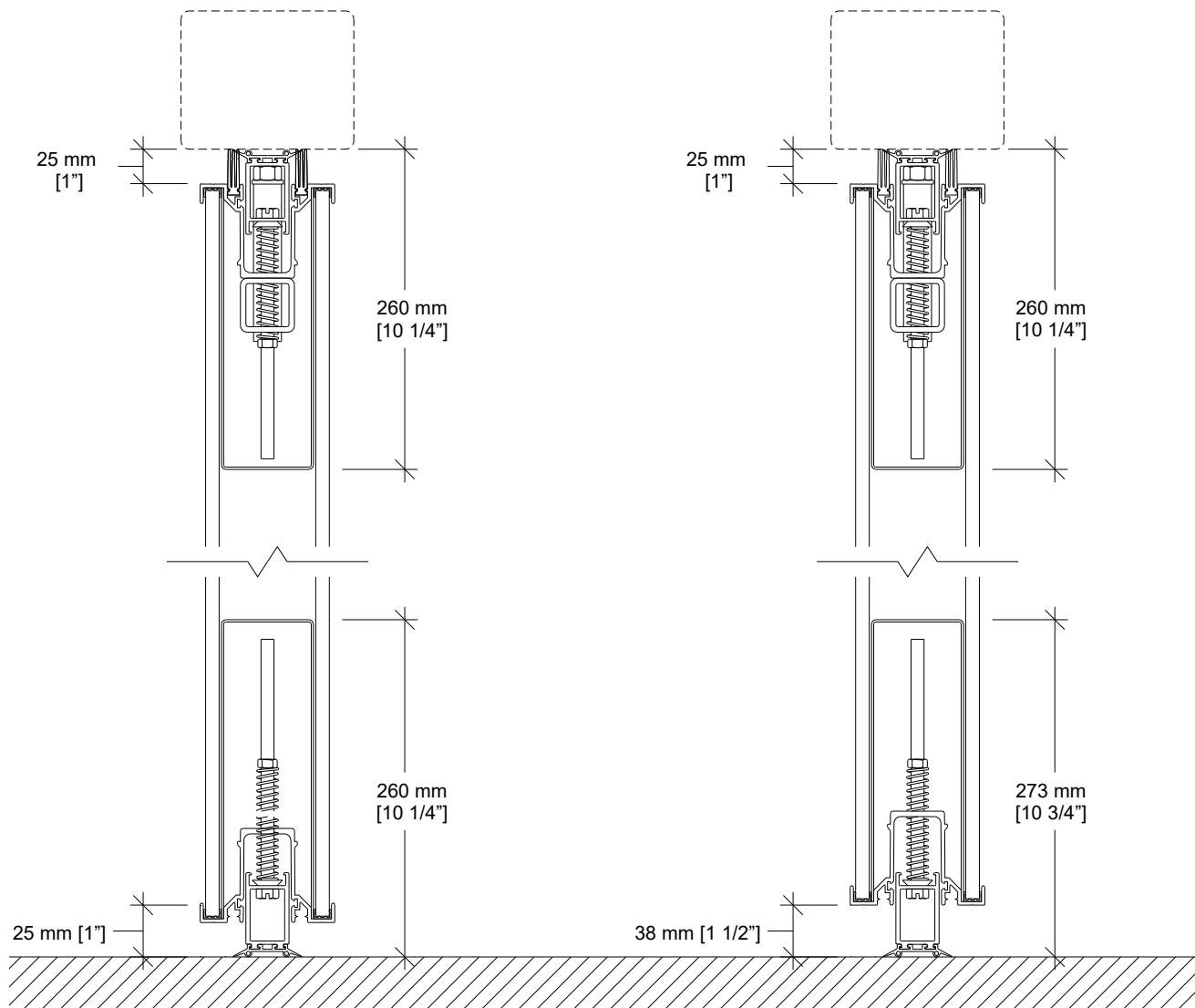
Deadbolt lock available as an option.

- ADA-compliant u-shaped door with flush pulls and roller latch.

Pass door options:

- concealed automatic closer
- panic bar (concealed automatic closer included)
- panic bar with lockable lever (concealed automatic closer included)
- self-luminous "Running Man" exit sign with green faceplate (standard outside USA, optional in USA)
- photoluminescent "EXIT" sign with red faceplate (standard in USA, optional elsewhere)
- photoluminescent "EXIT" sign with green faceplate (optional)
- self-luminous "EXIT" sign with red faceplate (optional)
- self-luminous "EXIT" sign with green faceplate (optional)
- deadbolt lock (not available with an Exit sign)

## Horizontal Seals



### Type MM-1 with fixed top sweeps

Floor clearance : 25 mm [1"]

Operating tolerances :

+0 mm / -15 mm [+0" / -5/8"]

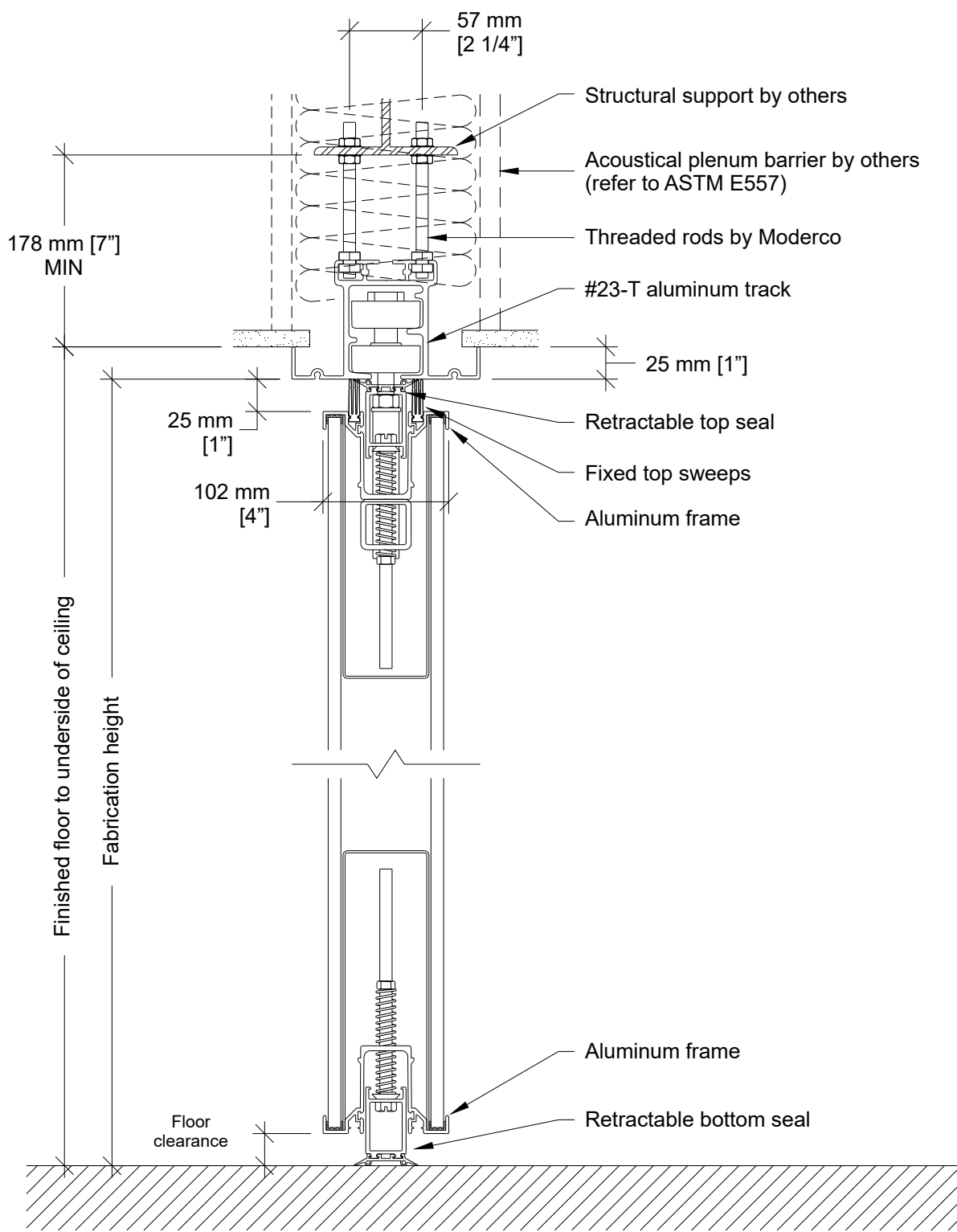
### Type MM-1.5 with fixed top sweeps

Floor clearance : 38 mm [1 1/2"]

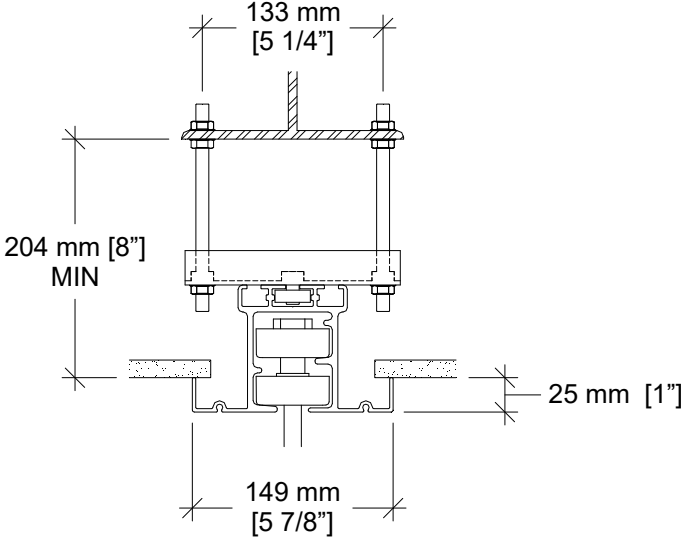
Operating tolerances :

+0 mm / -19 mm [+0" / -3/4"]  
 (+0 mm / -12 mm [+0" / -1/2"] if the partition has a pass through door)

### Vertical Section



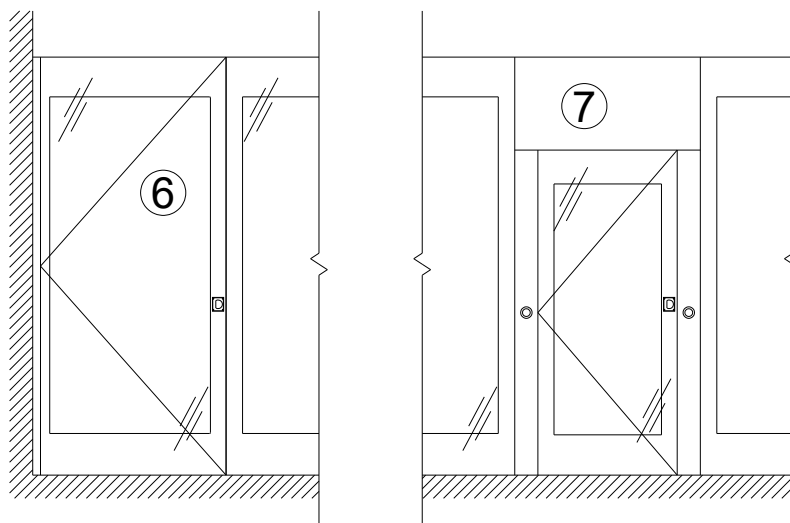
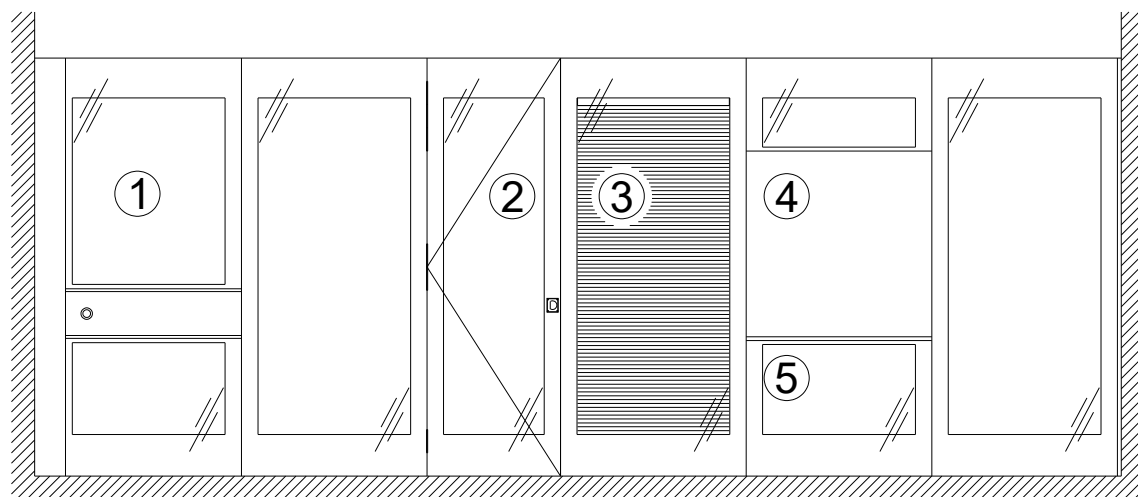
**Track Options**



**Optional hanger bracket**

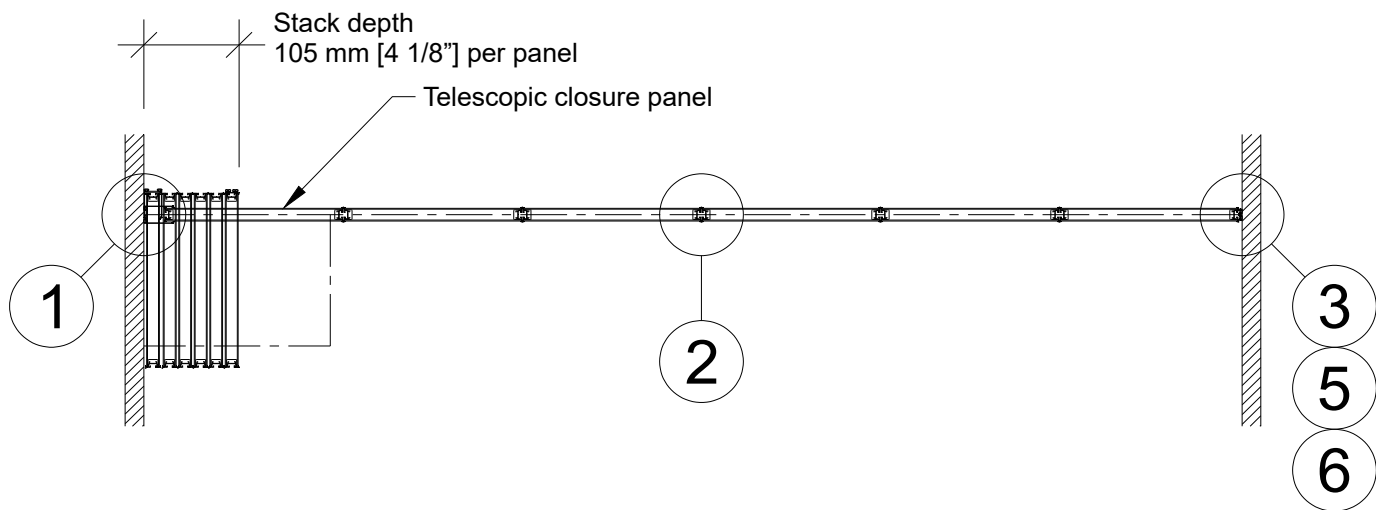
Required for installations where the topmost nuts cannot be used for adjustment.

### Elevation

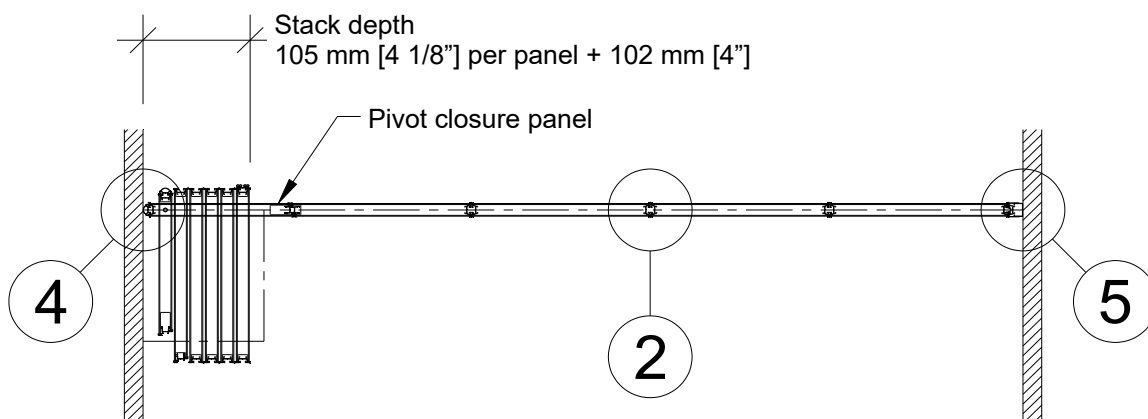


- 1- Telescopic closure panel
- 2- Full-height hinged door (optional)
- 3- Electrically tilting blinds operated by remote control (optional)
- 4- Work surfaces (optional)
- 5- Marker tray (optional)
- 6- Pivot panel (optional)
- 7- U-shaped pass door (optional)

**Plan Views**

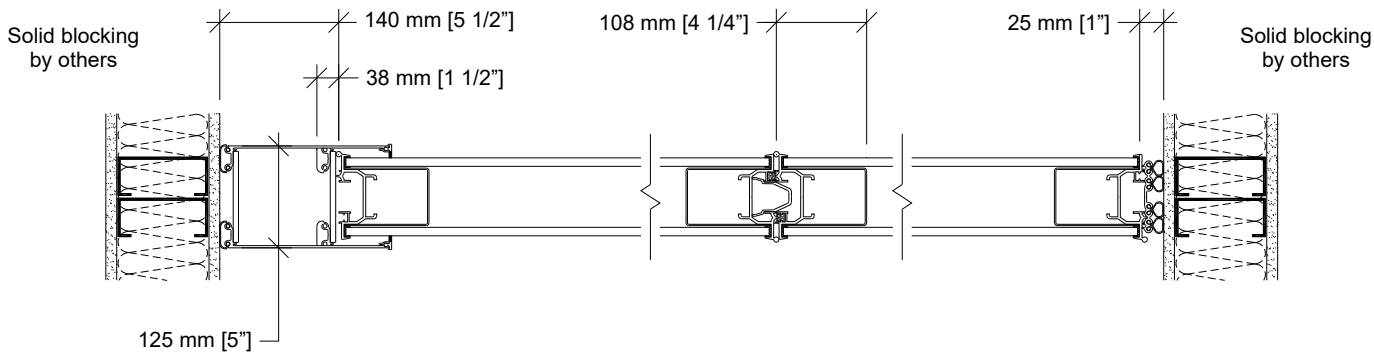


**Telescopic closure panel**



**Pivot closure panel**

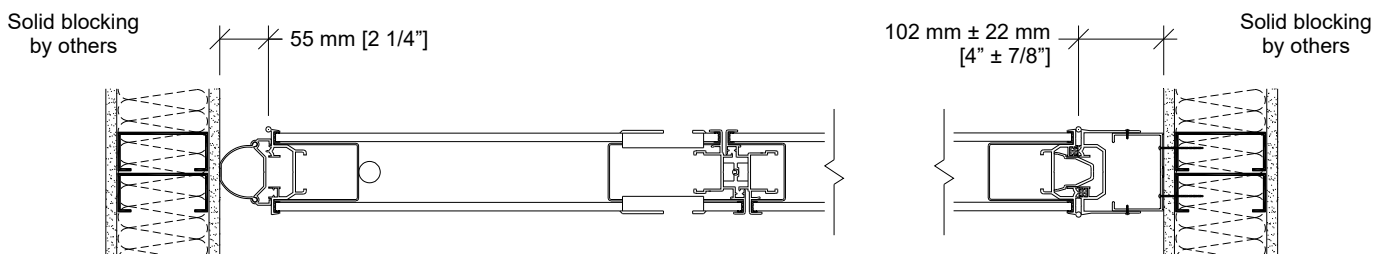
### Horizontal Sections



1 Telescopic closure

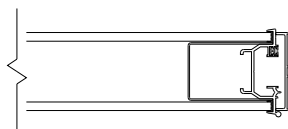
2 Panel joint (panels type FA horizontal seals)

3 Bulb seal



4 Pivot closure panel with recessed pulls and roller latch (optional)

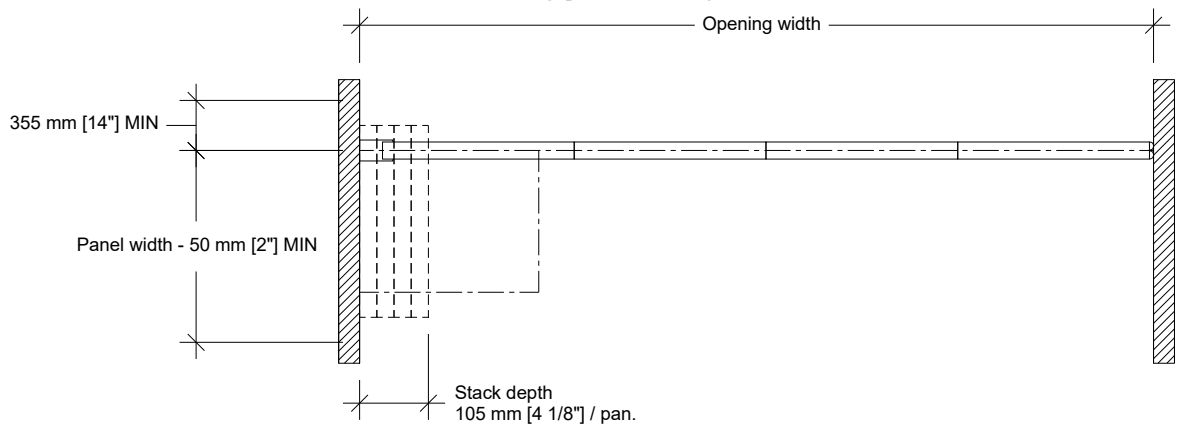
5 Wall jamb (optional)



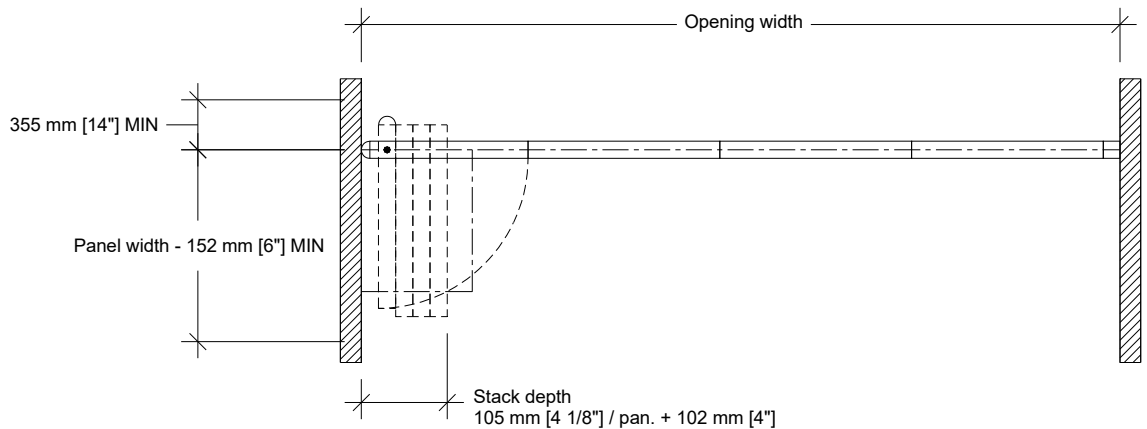
6 End cap (available on panels with manual seals only)



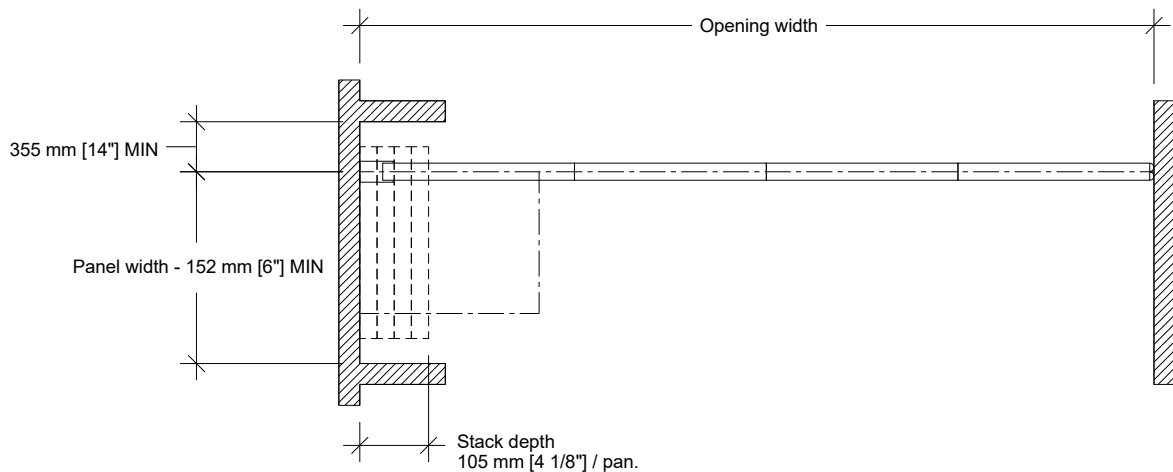
### Typical Layouts



### Wall to wall Side Stack – telescopic closure

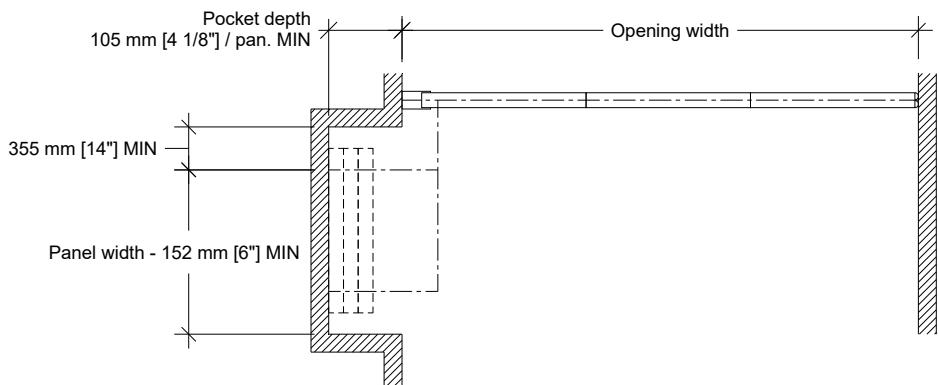


### Wall to wall Side Stack – pivot closure

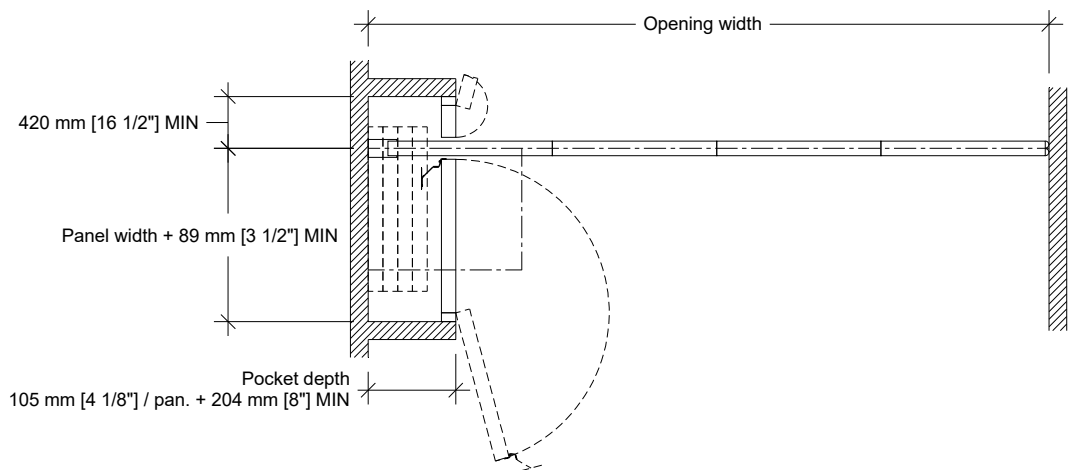


### Pocket

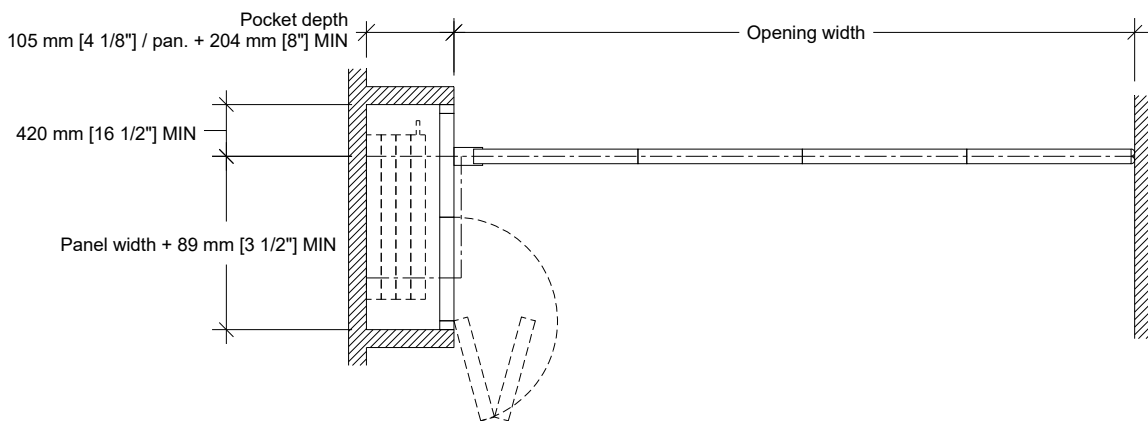
### Typical Layouts (cont'd)



### Remote Stack



### Pocket and PN-83 non-acoustical pocket door (partition seals to back of pocket)



### Pocket and PA-82B acoustical pocket door (partition seals to face of pocket door)