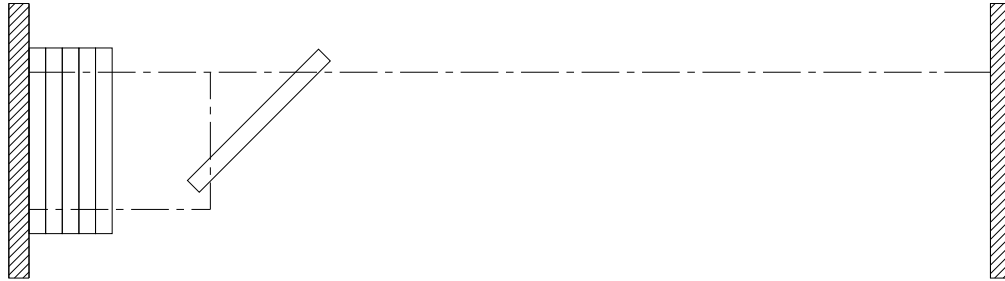




MODERCO

Crystal 200 Series

Technical Data Sheet Crystal 241 – STC 54



Features & Options

Standard Features

- Manually-operated individual-panel glass movable partition.
- STC 54.
- 102 mm [4"] nominal thickness. 1230 mm [48 1/2"] maximum width.
- Clear-anodized steel-reinforced aluminum frame.
- Protective trims on the entire perimeter.
- Combination aluminum and vinyl tongue and groove vertical sound seals between panels.
- Final closure by telescopic jamb.
- Type MM-1 horizontal seals with fixed top sweeps:
 - Manually-operated, simultaneously-activated top and bottom retractable seals.
 - Bottom seals provide a floor clearance of 25 mm [1"].
- Clear-anodized 6063-T6 alloy aluminum track.
- Each panel supported by two carriers made up of two horizontally-aligned precision-ground hardened steel ball bearing wheels with nylon tires.
- 10 mm [3/8"] clear laminated tempered glass faces.

- Maximum height : 3110 mm [10'-2 1/2"].

Optional Features and Accessories

- Type MM-1.5 horizontal seals with fixed top sweeps:
 - Manually-operated, simultaneously-activated top and bottom retractable seals.
 - Bottom seals provide a floor clearance of 38 mm [1 1/2"].
- Powder-coated frame and/or track.
- Ultra-clear or painted glass.
- Arctic Snow interlayer (white, 23% light transmittance).
- Battery-powered electrically tilting blinds operated by remote control.
- Inset white marker boards / chalk boards / natural cork tack boards.
- Chalk tray.
- Acoustical or non-acoustical pocket door.



Optional Features and Accessories (cont'd)

- Final closure by ADA-compliant pivot panel.

Pivot panel options:

- panic bar
- panic bar with lockable lever
- deadbolt lock

- ADA-compliant full-height hinged door with flush pulls and roller latch.

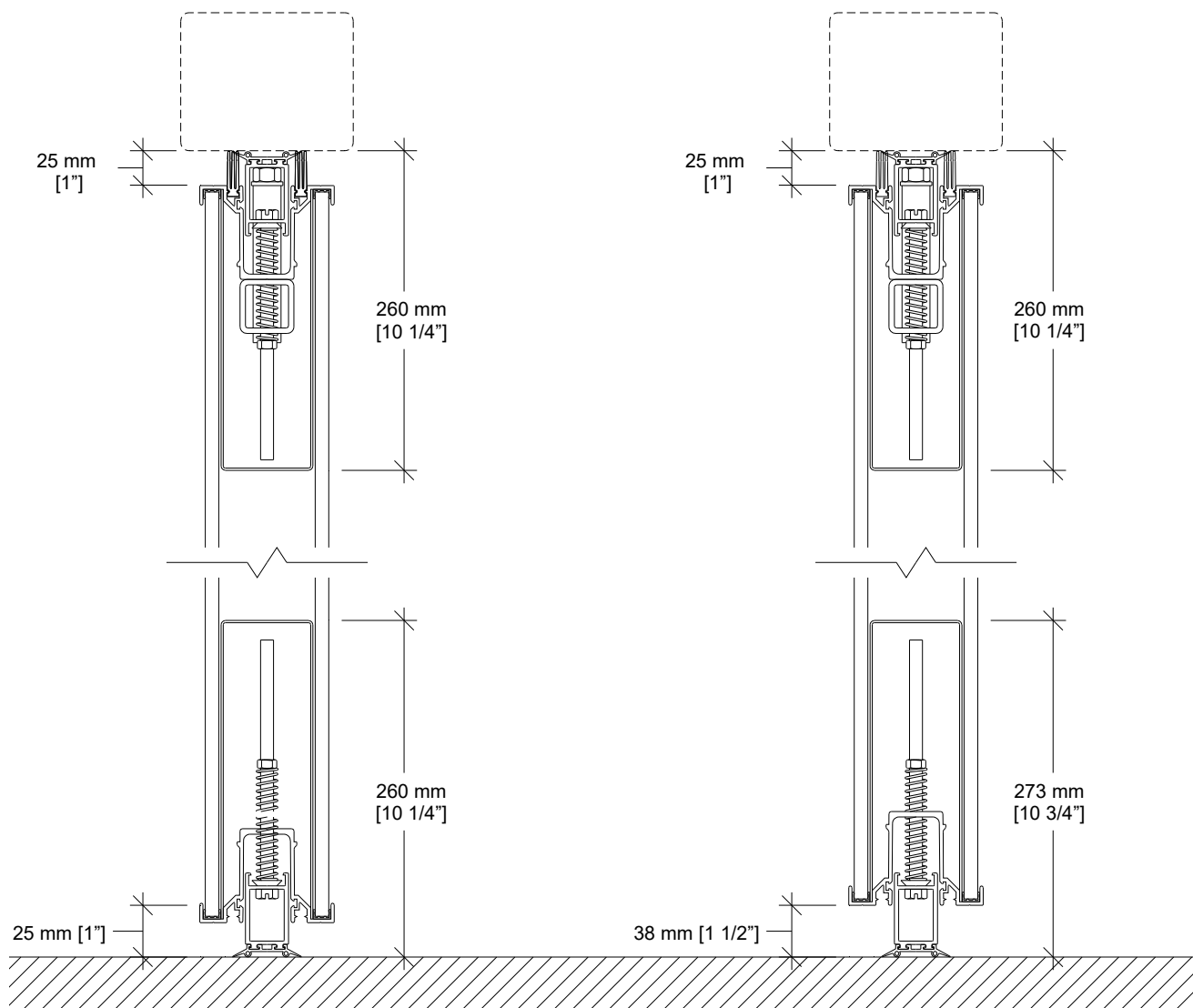
Deadbolt lock available as an option.

- ADA-compliant u-shaped door with flush pulls and roller latch.

Pass door options:

- concealed automatic closer
- panic bar (concealed automatic closer included)
- panic bar with lockable lever (concealed automatic closer included)
- self-luminous "Running Man" exit sign with green faceplate (standard outside USA, optional in USA)
- photoluminescent "EXIT" sign with red faceplate (standard in USA, optional elsewhere)
- photoluminescent "EXIT" sign with green faceplate (optional)
- self-luminous "EXIT" sign with red faceplate (optional)
- self-luminous "EXIT" sign with green faceplate (optional)
- deadbolt lock (not available with an Exit sign)

Horizontal Seals



Type MM-1 with fixed top sweeps

Floor clearance : 25 mm [1"]

Operating tolerances :

+0 mm / -15 mm [+0" / -5/8"]

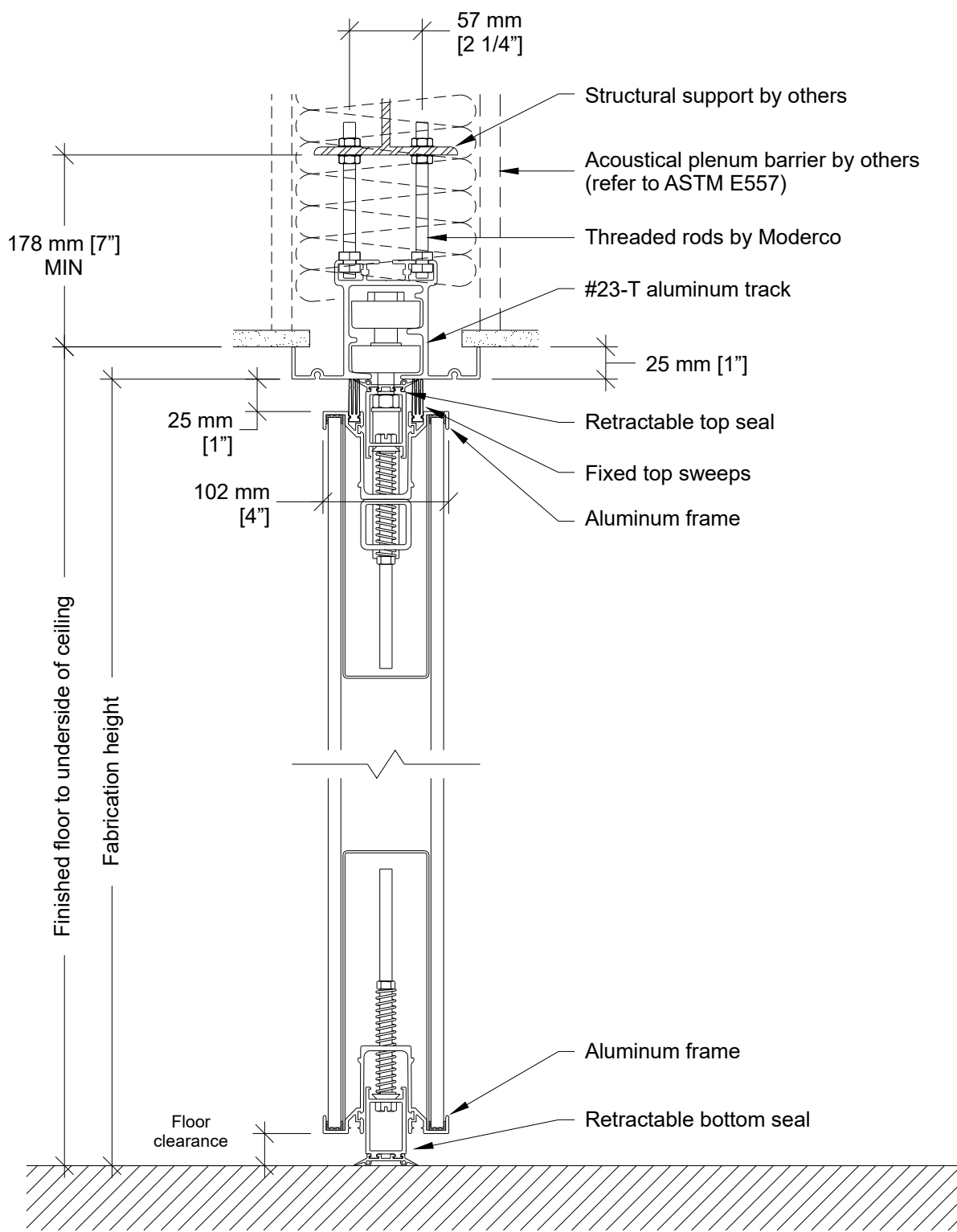
Type MM-1.5 with fixed top sweeps

Floor clearance : 38 mm [1 1/2"]

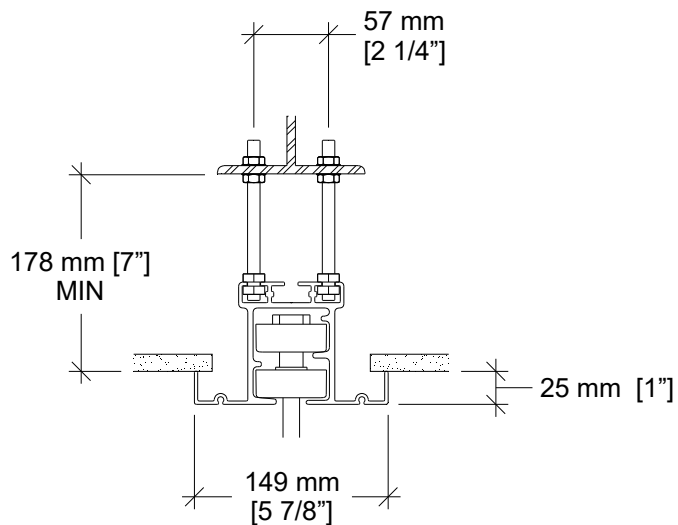
Operating tolerances :

+0 mm / -19 mm [+0" / -3/4"]
 (+0 mm / -12 mm [+0" / -1/2"] if the partition has a pass through door)

Vertical Section

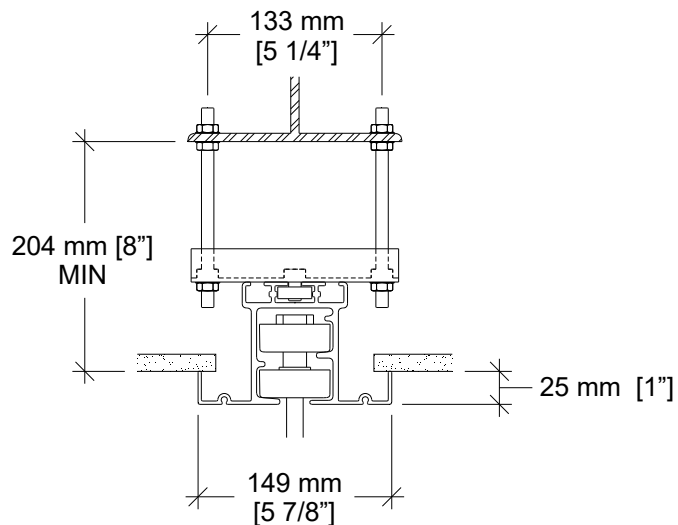


Track Options



#23-T aluminum track

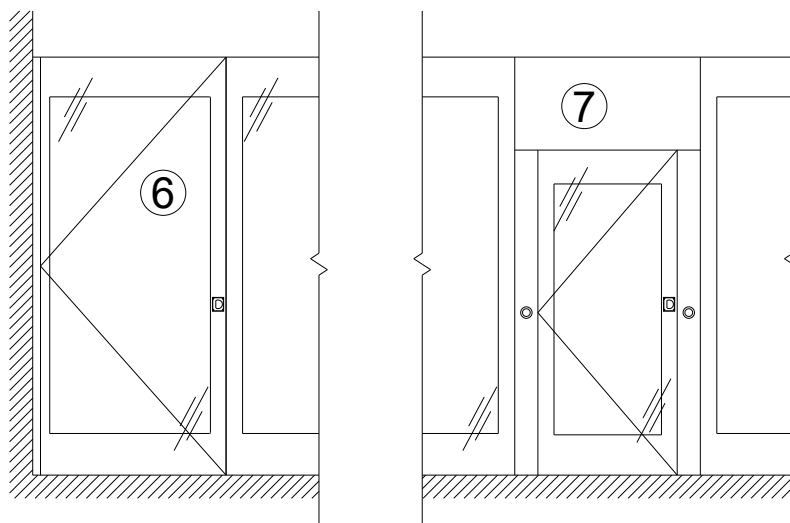
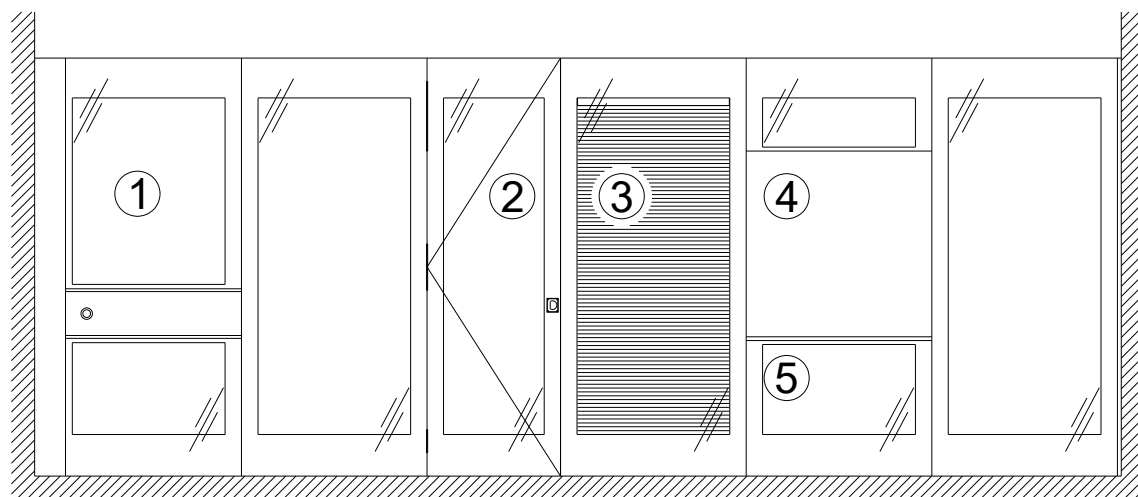
Standard for partitions up to a height of 4648 mm [15'-3"].



#23-T aluminum track with optional hanger bracket

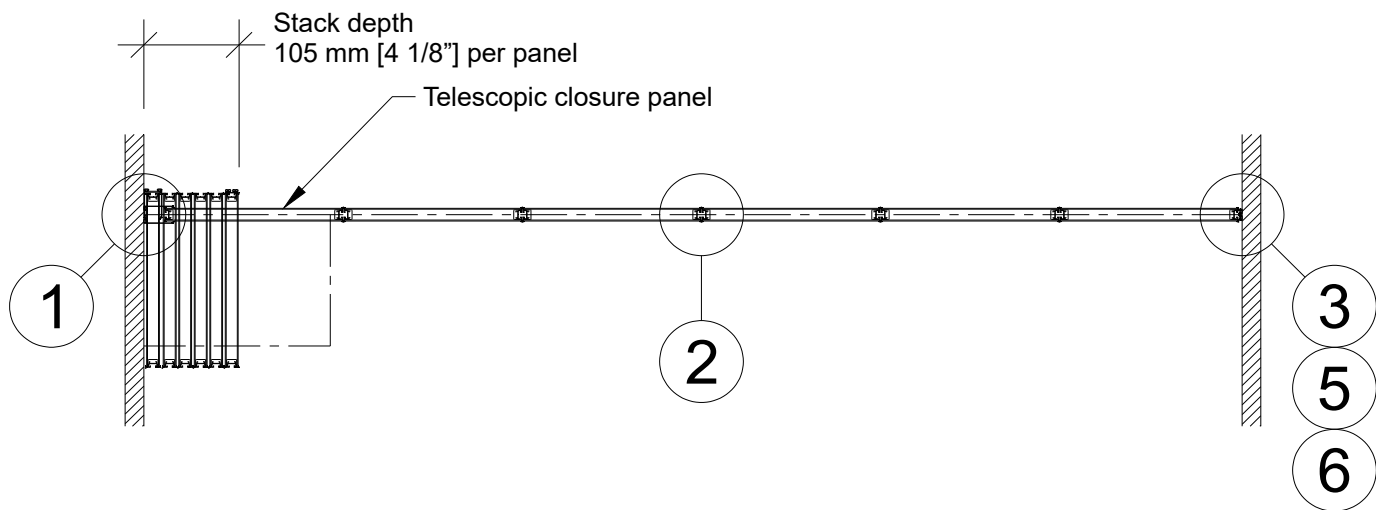
Hanger bracket required for installations where the topmost nuts cannot be used for adjustment.

Elevation

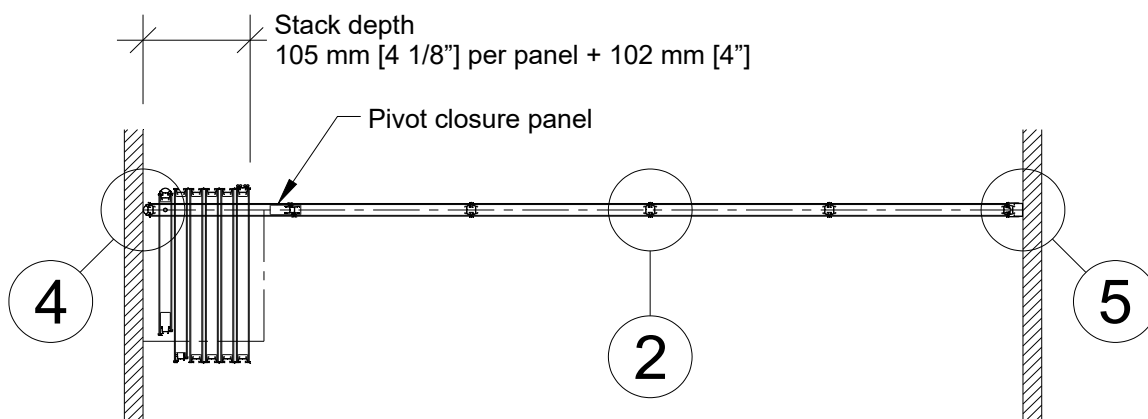


- 1- Telescopic closure panel
- 2- Full-height hinged door (optional)
- 3- Electrically tilting blinds operated by remote control (optional)
- 4- Work surfaces (optional)
- 5- Marker tray (optional)
- 6- Pivot panel (optional)
- 7- U-shaped pass door (optional)

Plan Views

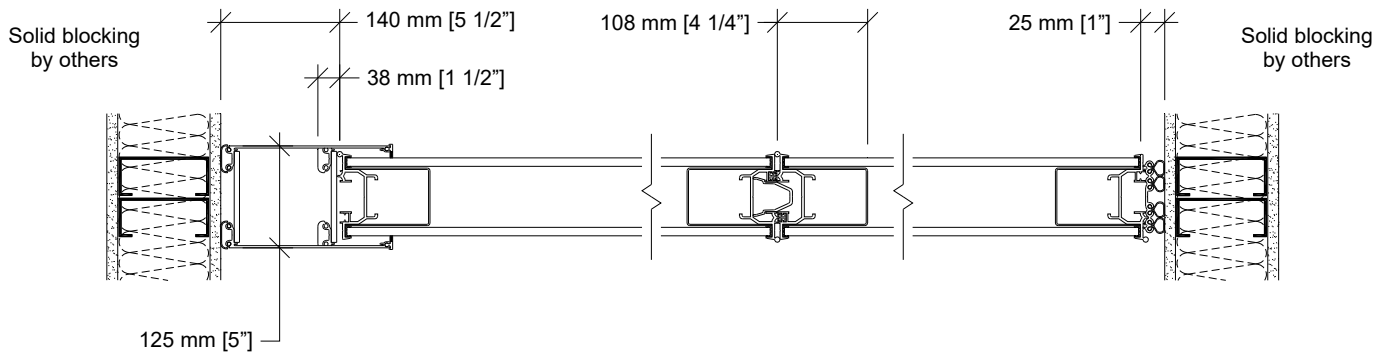


Telescopic closure panel

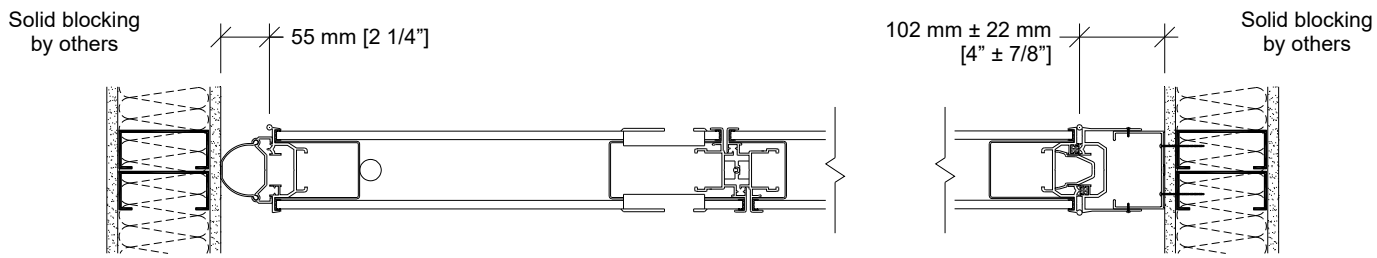


Pivot closure panel

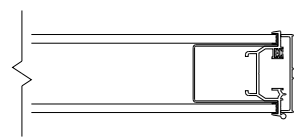
Horizontal Sections



- ① Telescopic closure
- ② Panel joint
- ③ Bulb seal

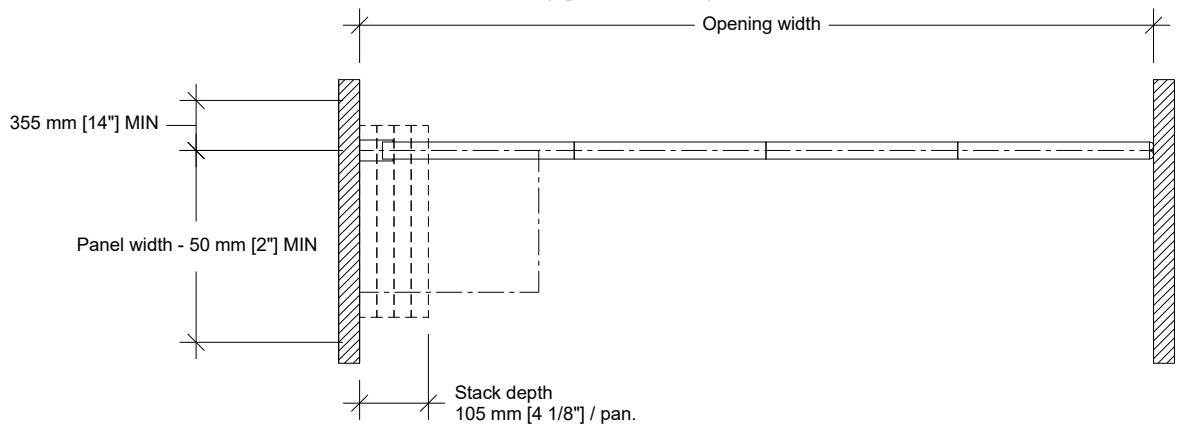


- ④ Pivot closure panel with recessed pulls and roller latch (optional)
- ⑤ Wall jamb (optional)

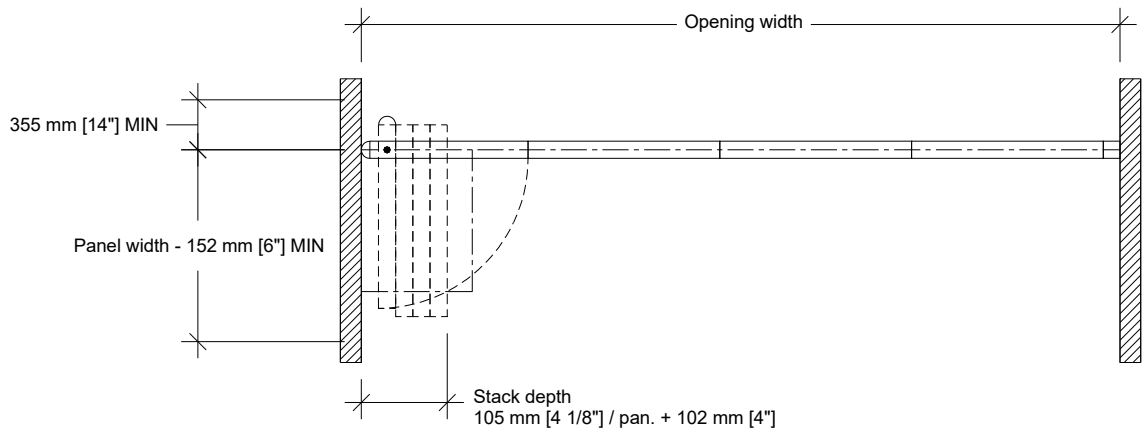


- ⑥ End cap
(available on panels with manual seals only)

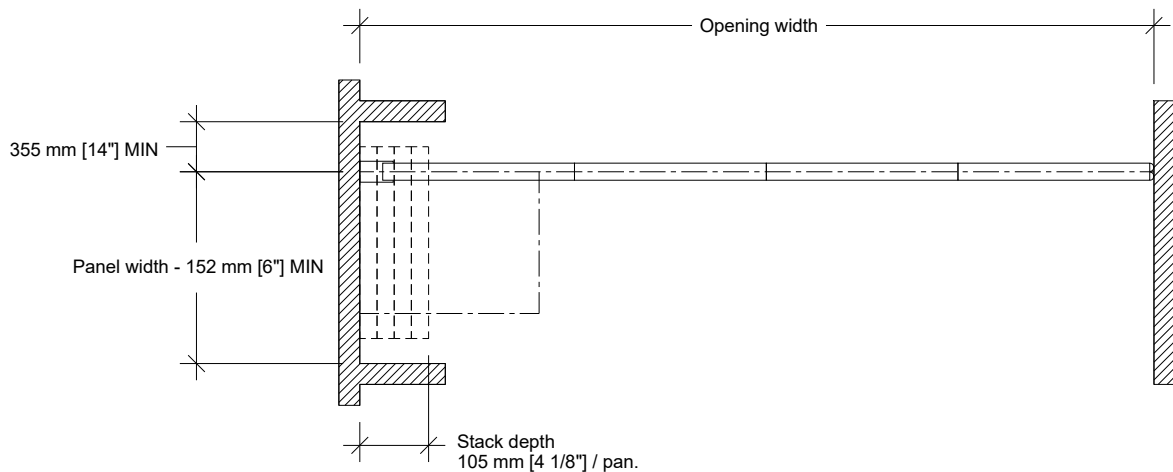
Typical Layouts



Wall to wall Side Stack – telescopic closure

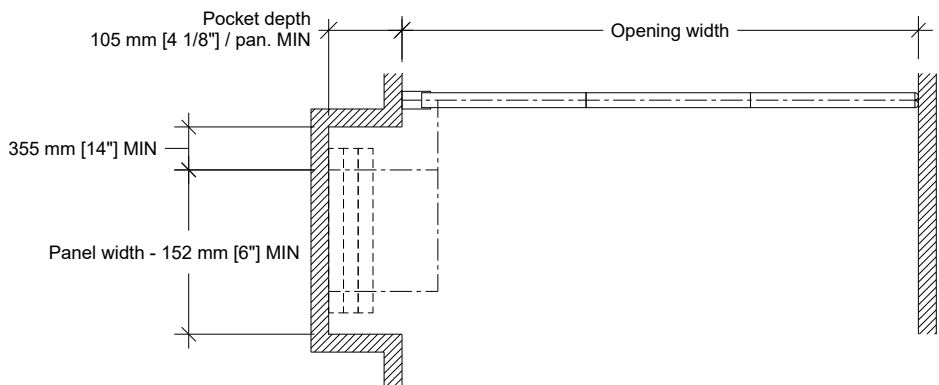


Wall to wall Side Stack – pivot closure

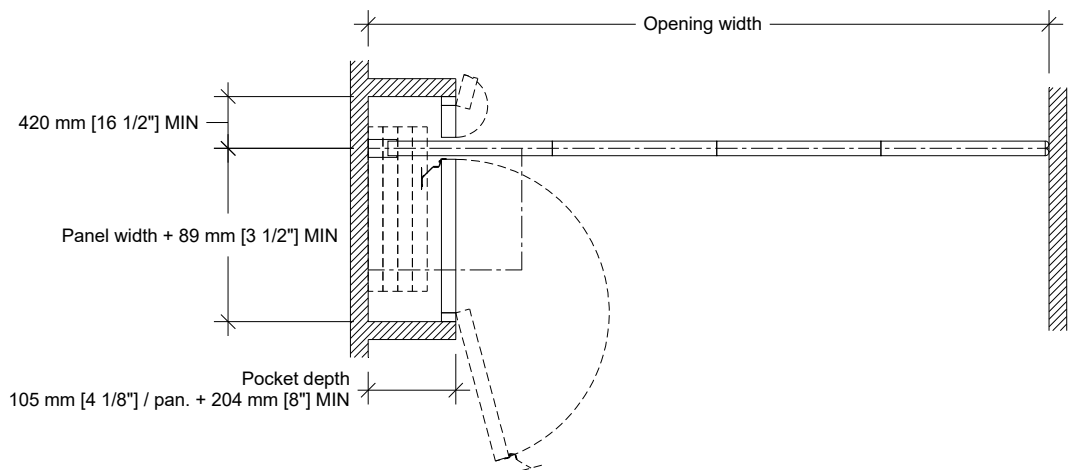


Pocket

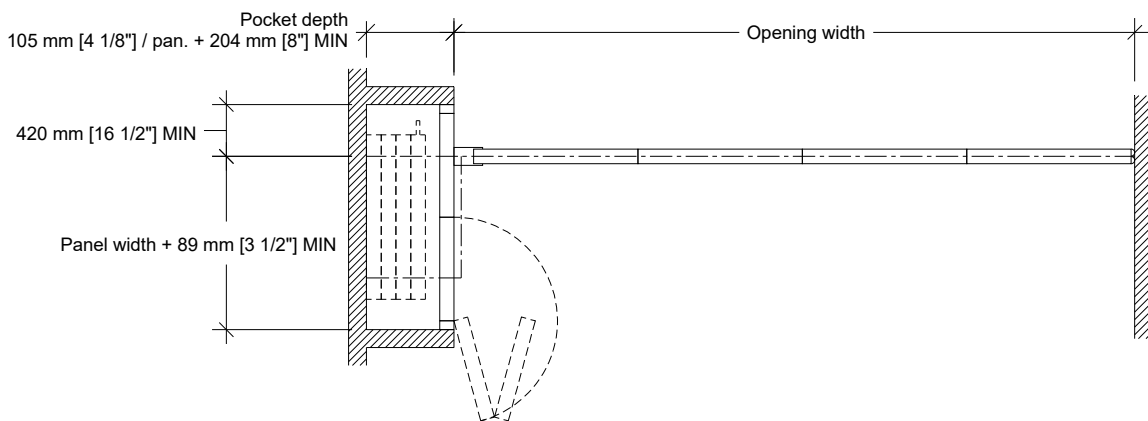
Typical Layouts (cont'd)



Remote Stack



Pocket and PN-83 non-acoustical pocket door (partition seals to back of pocket)



Pocket and PA-82B acoustical pocket door (partition seals to face of pocket door)