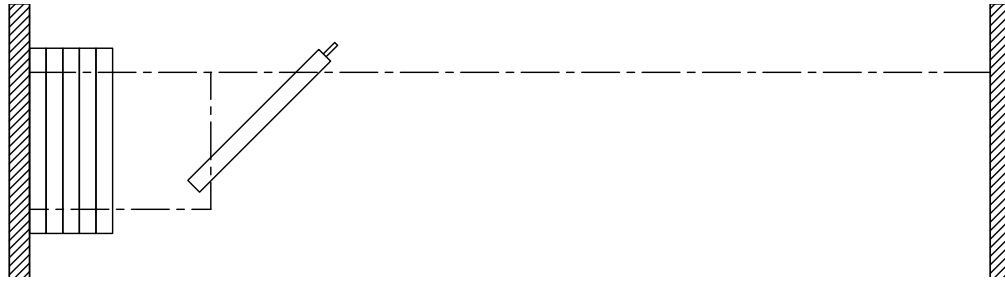




**MODERCO**

Crystal 200 Series

## Technical Data Sheet Crystal 241



### Features & Options

#### **Standard Features**

- Manually-operated individual-panel glass movable partition.
- STC 44.
- 102 mm [4"] nominal thickness. 1230 mm [48 1/2"] maximum width.
- Clear-anodized steel-reinforced aluminum frame.
- Protective trims on the entire perimeter.
- Combination aluminum and vinyl tongue and groove vertical sound seals between panels.
- Final closure by telescopic jamb.
- Type FA horizontal seals:
  - Fixed top sweeps
  - Automatic retractable bottom seals set as panels are deployed
  - bottom seals provide a 50 mm [2"] floor clearance
- Clear-anodized 6063-T6 alloy aluminum track.
- Each panel supported by two carriers made up of two horizontally-aligned precision-ground hardened steel ball bearing wheels with nylon tires.
- 6 mm [1/4"] clear tempered glass faces.

Maximum height : 3733 mm [12'-3"].

#### **Optional Features and Accessories**

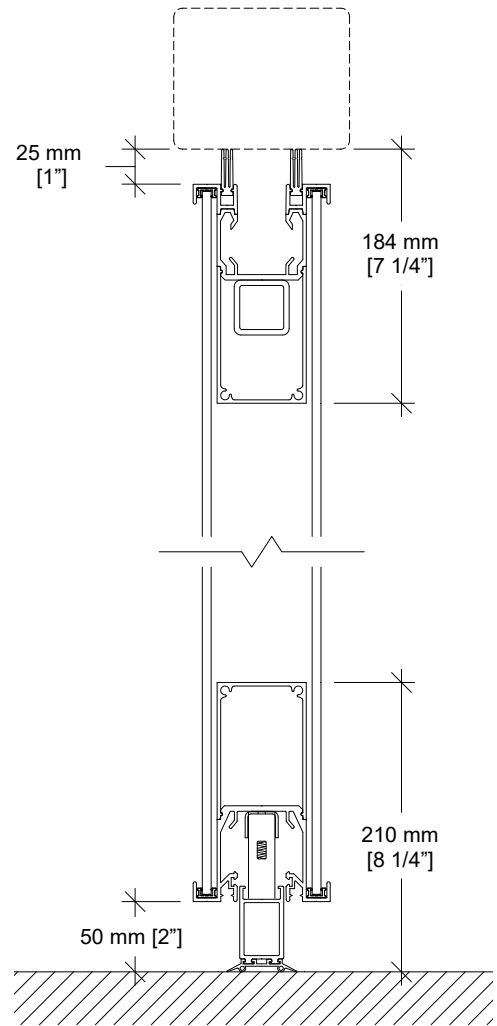
- Powder-coated frame and/or track.
- Glass finishes : stained, colored, acid washed, frosted, etc.
- Battery-powered electrically tilting blinds and operated by remote control.
- Type FM-1.5 horizontal seals:
  - Fixed top sweeps
  - Manually-operated bottom seals
  - bottom seals provide a floor clearance of 38 mm [1 1/2"]
- Type MM-1.5 horizontal seals:
  - top and bottom retractable seals
  - Manually-operated, simultaneously-activated top and bottom seals
  - bottom seals provide a floor clearance of 38 mm [1 1/2"]
- Inset white marker boards / chalk boards / natural cork tack boards.
- Chalk tray.
- Acoustical or non-acoustical pocket door.

**Optional Features and Accessories (cont'd)**

- Final closure by ADA-compliant pivot panel.
- Pivot panel options:
- panic bar
  - panic bar with lockable lever
  - deadbolt lock
- ADA-compliant full-height hinged door (up to a height of 3124 mm [10'-3"]) with flush pulls and roller latch.
- Deadbolt lock available as an option.
- ADA-compliant u-shaped door with flush pulls and roller latch.
- Pass door options:
- concealed automatic closer
  - panic bar
  - panic bar with lockable lever
  - self-luminescent exit sign with red (standard) or green (optional) faceplate \*
  - "running man" self-luminescent exit sign with green faceplate \*
  - deadbolt lock \*

(\* An exit sign and a deadbolt lock will not be installed together on the same door.)

**Horizontal Seals**



**Type FA**

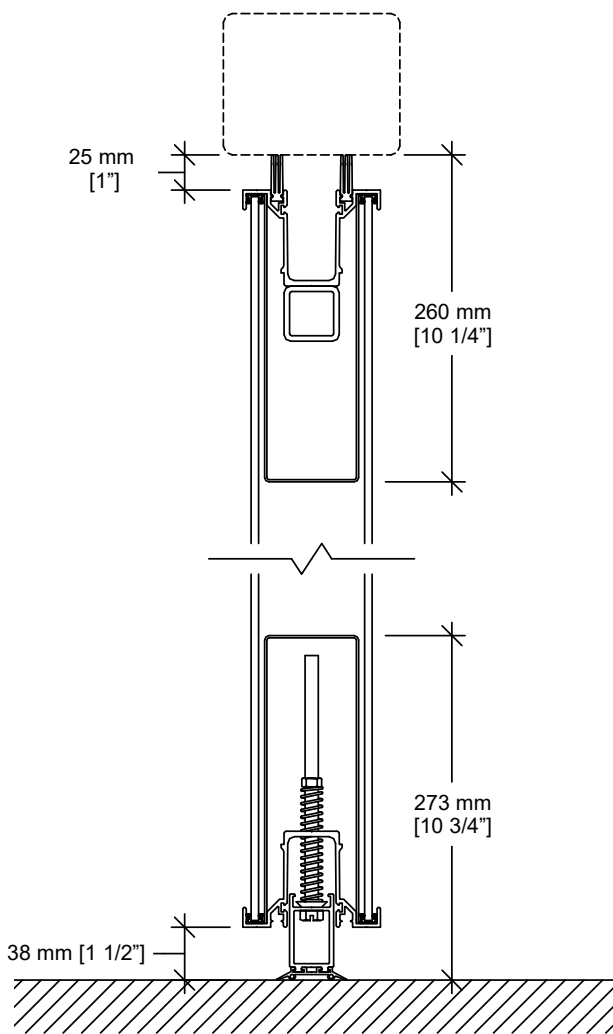
Floor clearance : 50 mm [2"]

Operating tolerances :

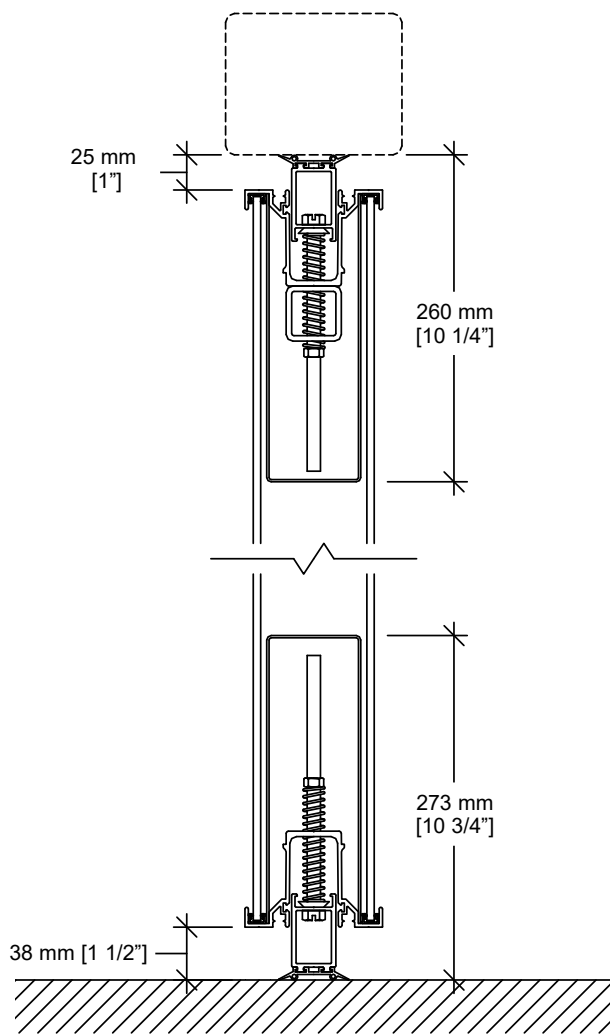
+0 mm / -38 mm [+0" / -1 1/2"]

(+0 mm / -25 mm [+0" / -1"] if the partition has a pass through door)

### Horizontal Seals (cont'd)

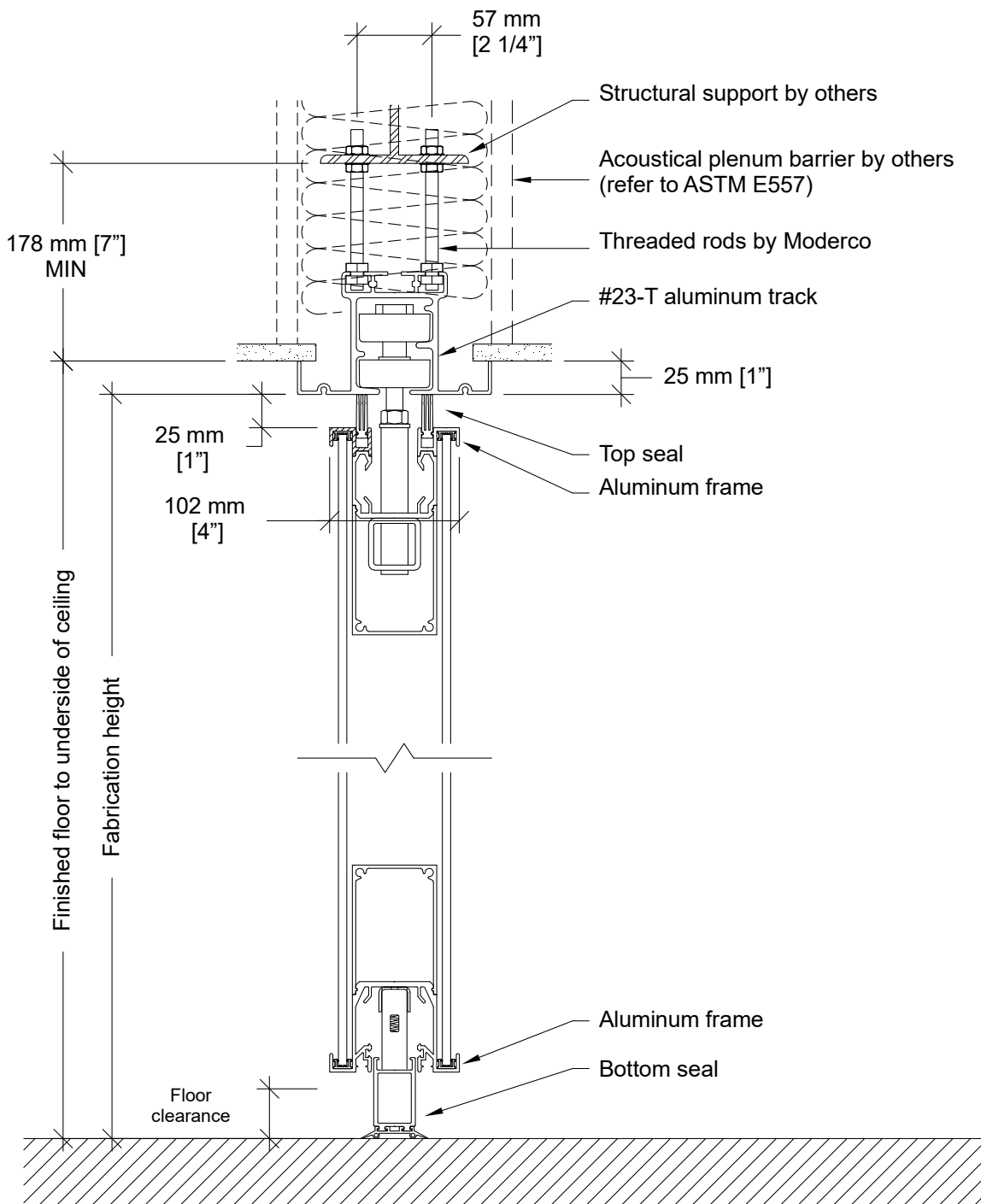


**Type FM-1.5**  
 Floor clearance : 38 mm [1 1/2"]  
 Operating tolerances :  
 +0 mm / -19 mm [+0" / -3/4"]  
 (+0 mm / -12 mm [+0" / -1/2"] if the partition has a pass through door)

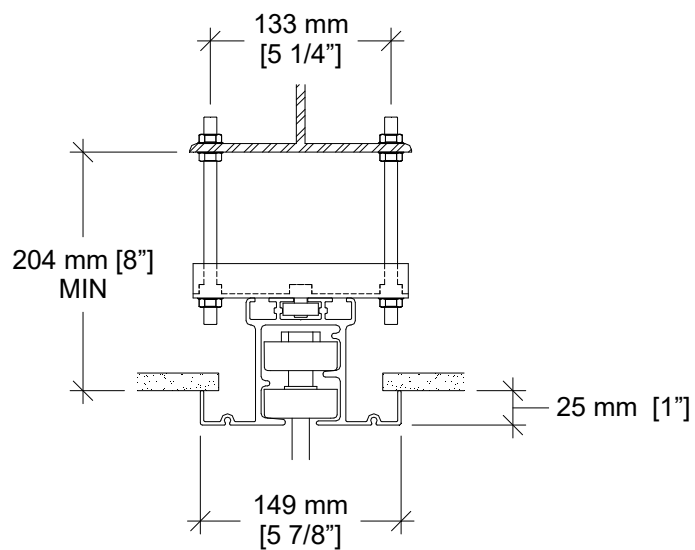


**Type MM-1.5**  
 Floor clearance : 38 mm [1 1/2"]  
 Operating tolerances :  
 +0 mm / -19 mm [+0" / -3/4"]  
 (+0 mm / -12 mm [+0" / -1/2"] if the partition has a pass through door)

### Vertical Section



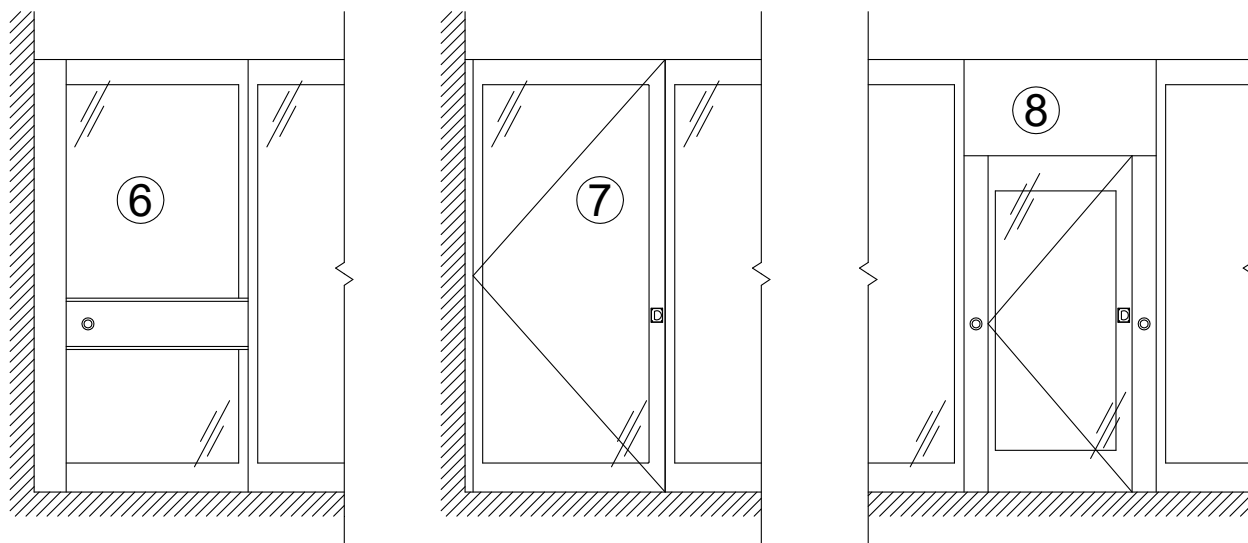
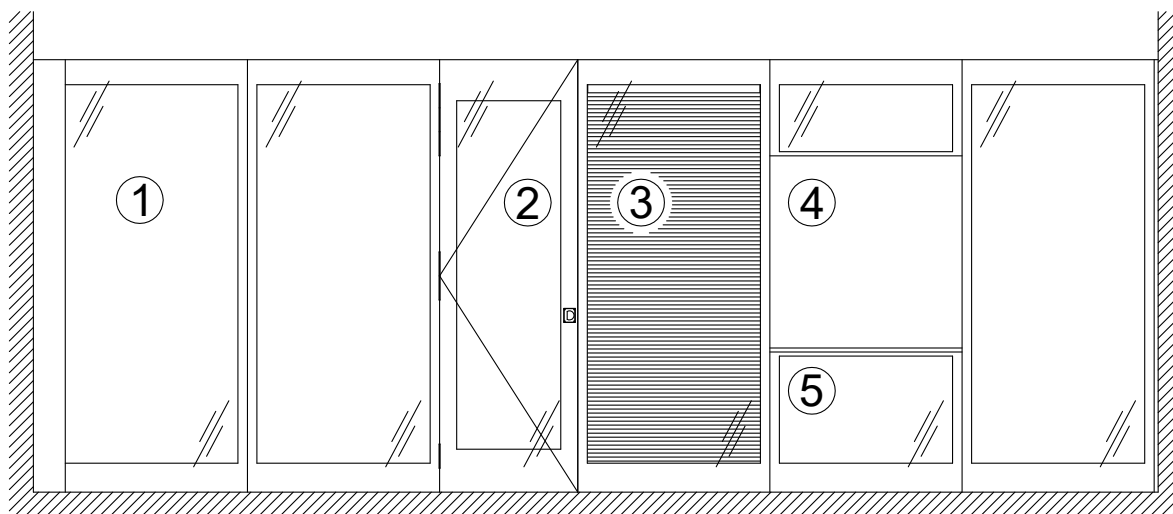
### Track Options



### Optional hanger bracket

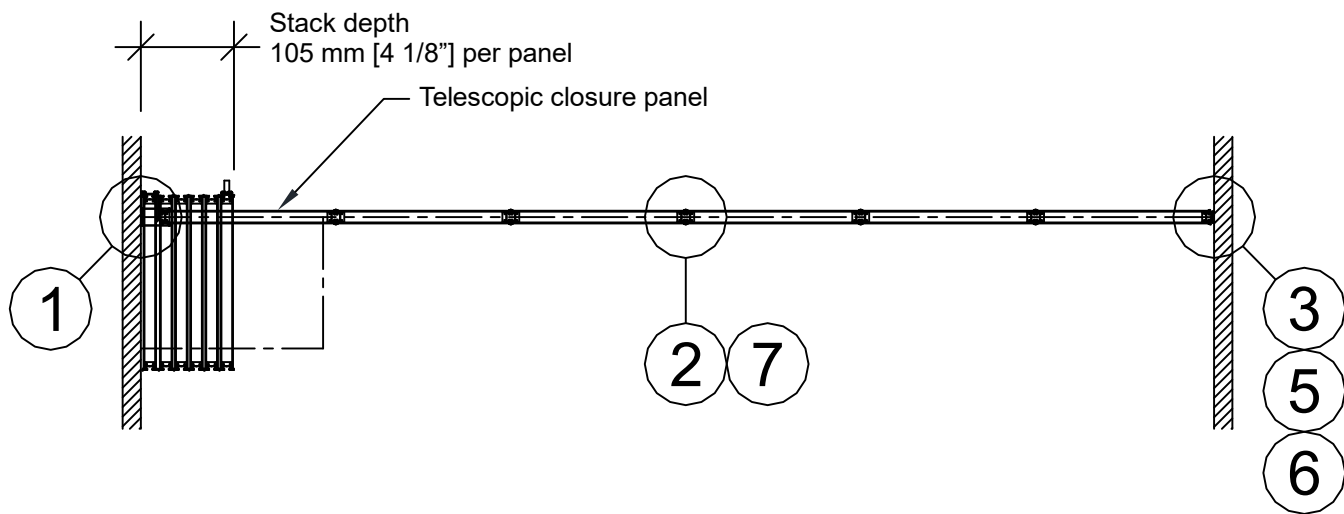
Required for installations where the topmost nuts cannot be used for adjustment.

### Elevation

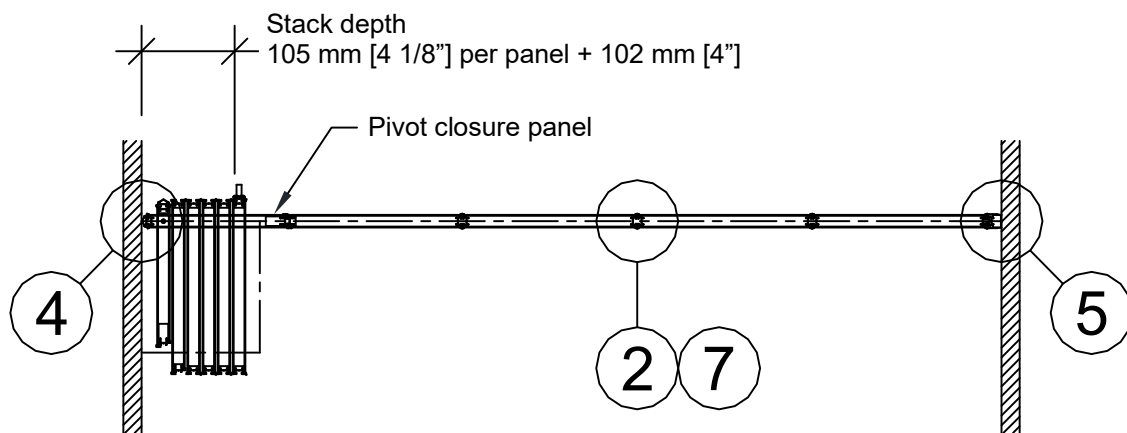


- 1- Telescopic closure panel
- 2- Full-height hinged door (optional)
- 3- Electrically tilting blinds operated by remote control (optional)
- 4- Work surfaces (optional)
- 5- Marker tray (optional)
- 6- Telescopic closure panel with rack and pinion mechanism (optional)
- 7- Pivot panel (optional)
- 8- U-shaped pass door (optional)

**Plan Views**

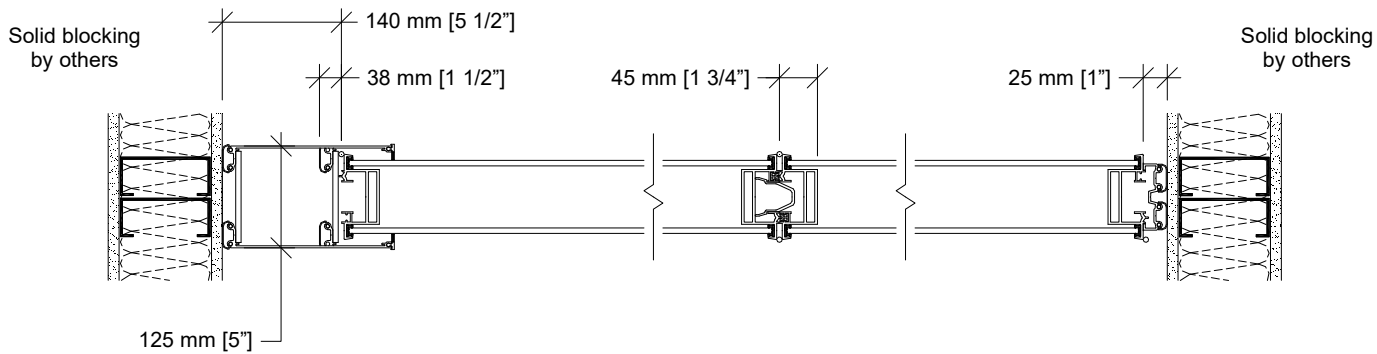


**Telescopic closure panel**



**Pivot closure panel**

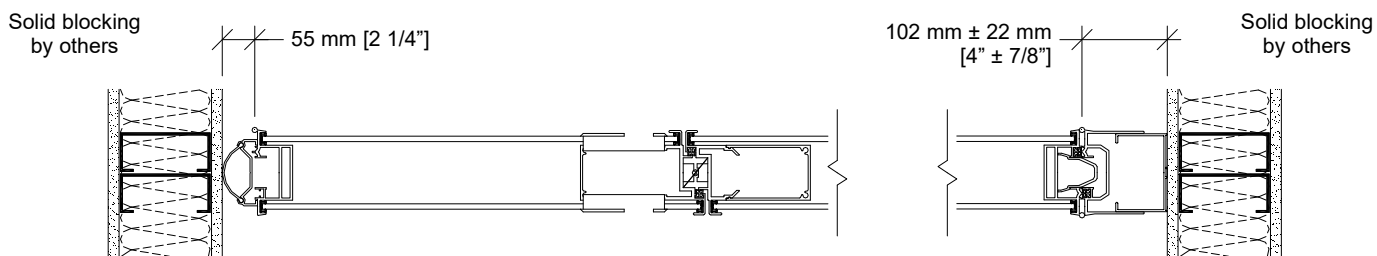
## Horizontal Sections



1 Telescopic closure

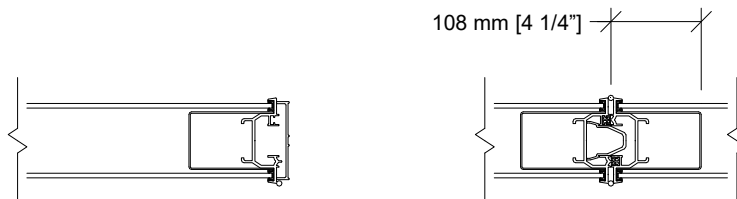
2 Panel joint (panels type FA horizontal seals)

3 Bulb seal



4 Pivot closure panel with recessed pulls and roller latch (optional)

5 Wall jamb (optional)

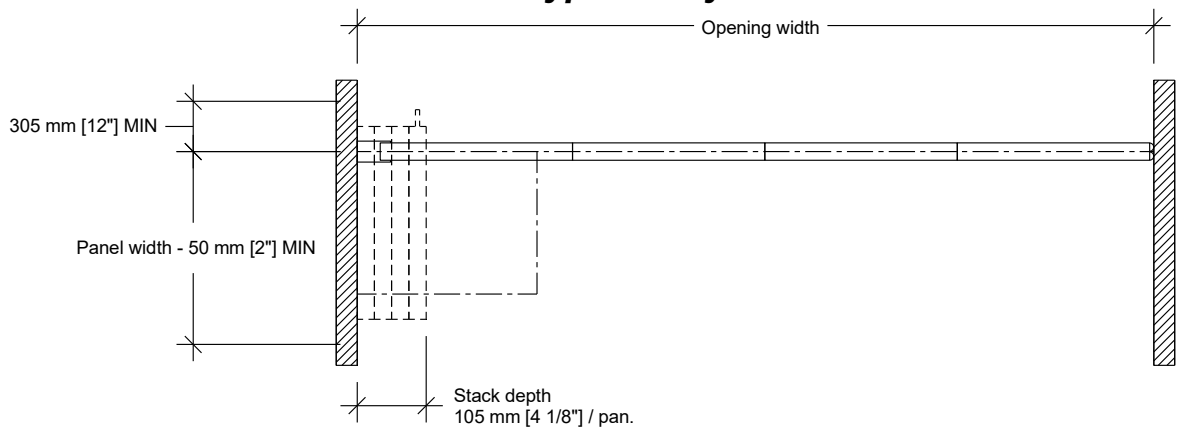


6 End cap (available on panels with manual seals only)

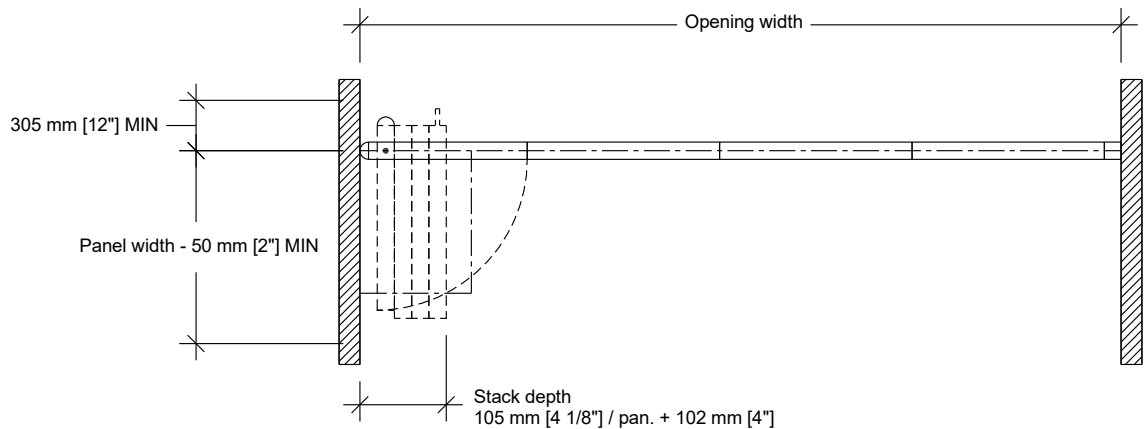
7 Panel joint (panels with FM-1.5 or MM-1.5 horizontal seals)



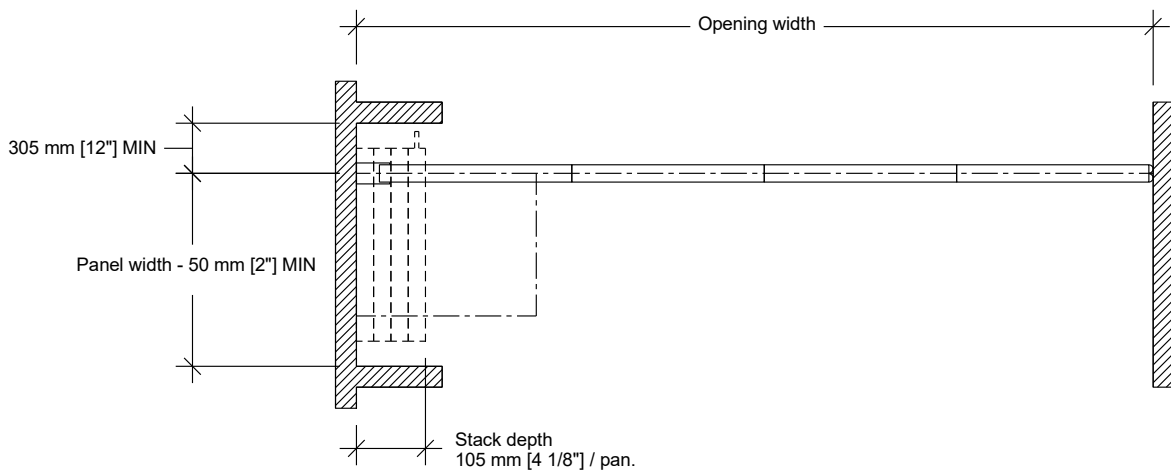
### Typical Layouts



**Wall to wall Side Stack – telescopic closure**

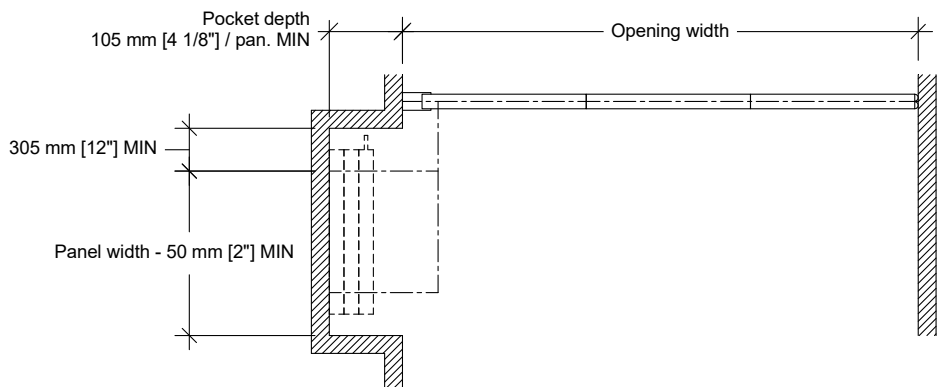


**Wall to wall Side Stack – pivot closure**

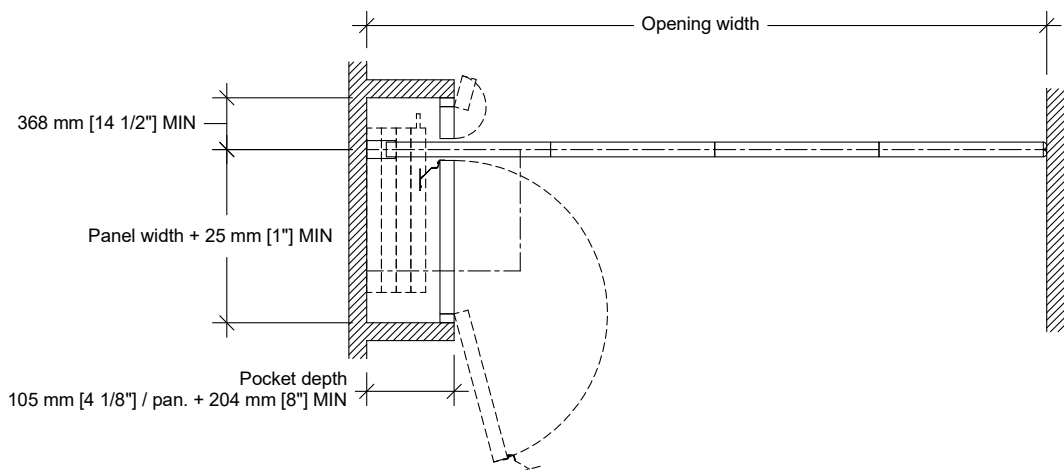


**Pocket**

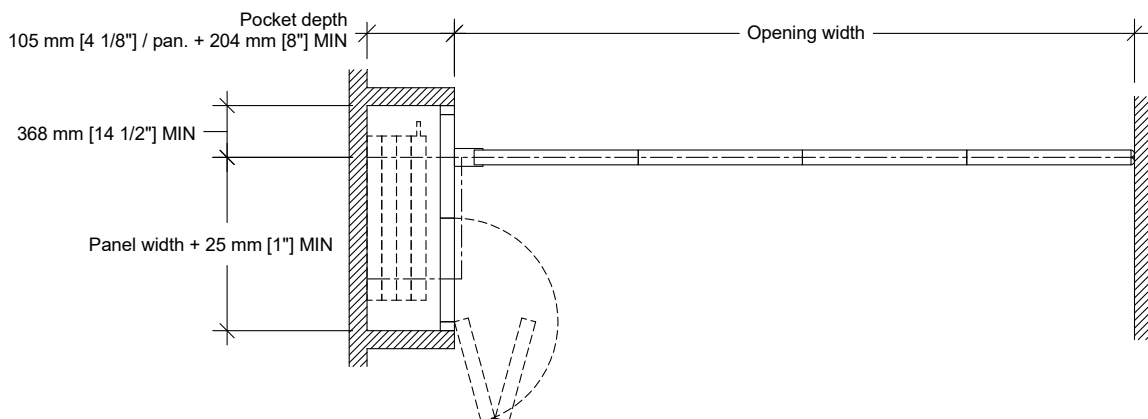
### Typical Layouts (cont'd)



### Remote Stack



### Pocket and PN-83 non-acoustical pocket door (partition seals to back of pocket)



### Pocket and PA-82B acoustical pocket door (partition seals to face of pocket door)