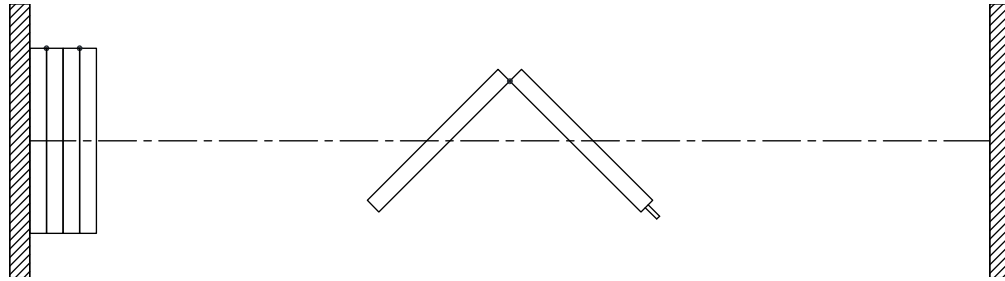




# MODERCO

Crystal 200 Series

## Technical Data Sheet Crystal 242



### Features & Options

#### **Standard Features**

- Manually-operated paired-panel glass movable partition.
- STC 44.
- 102 mm [4"] nominal thickness. 1230 mm [48 1/2"] maximum width.
- Clear-anodized steel-reinforced aluminum frame.
- Protective trims on the entire perimeter.
- Combination aluminum and vinyl tongue and groove vertical sound seals between panels.
- Final closure by telescopic jamb.
- Type FA horizontal seals:
  - Fixed top sweeps
  - Automatic retractable bottom seals set as panels are deployed
  - bottom seals provide a 50 mm [2"] floor clearance
- Clear-anodized 6063-T6 alloy aluminum track.
- Each panel supported by one carriers made up of four vertically-aligned precision-ground hardened steel ball bearing wheels with nylon tires.

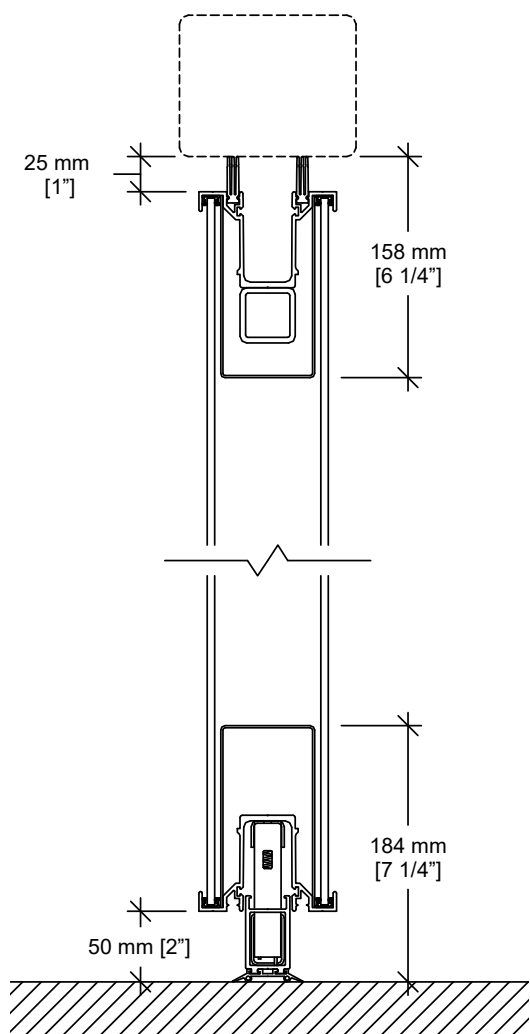
- 6 mm [1/4"] clear tempered glass faces.

- Maximum height : 3733 mm [12'-3"].

#### **Optional Features and Accessories**

- Powder-coated frame and/or track.
- 11 ga. steel track, painted white.
- Glass finishes : stained, colored, acid washed, frosted, etc.
- Battery-powered electrically tilting blinds and operated by remote control.
- Final closure by pivot panel.
- Inset white marker boards / chalk boards / natural cork tack boards.
- Chalk tray.
- Acoustical or non-acoustical pocket door.

## Horizontal Seals

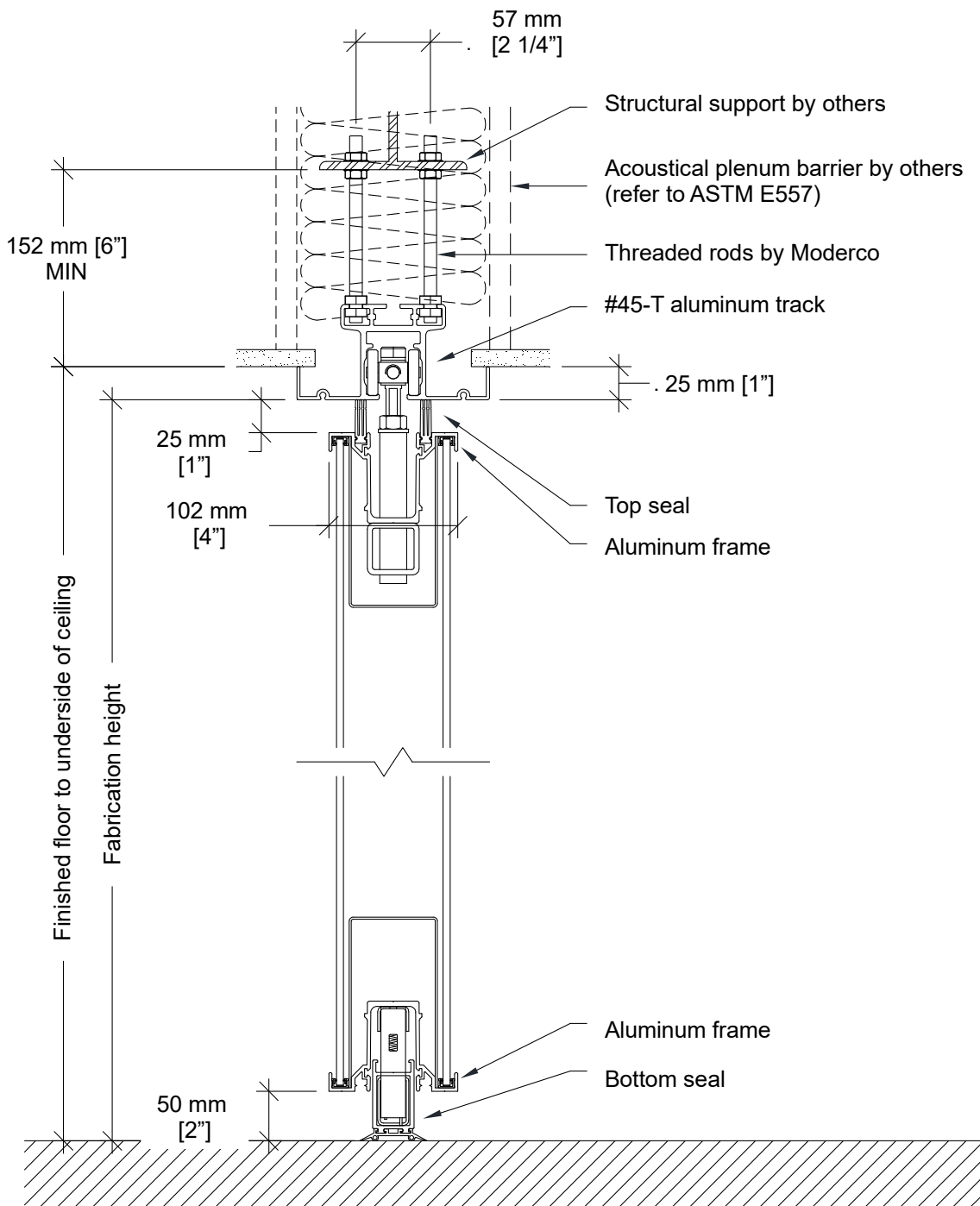


### Type FA

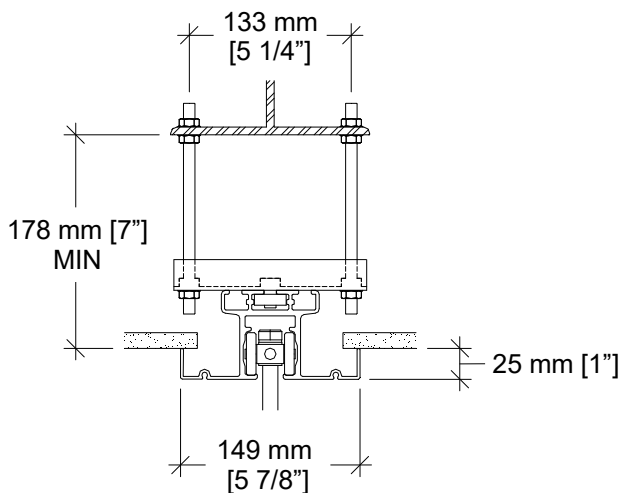
Floor clearance : 50 mm [2"]

Operating tolerances :  
+0 mm / -38 mm [+0" / -1 1/2"]

### Vertical Section

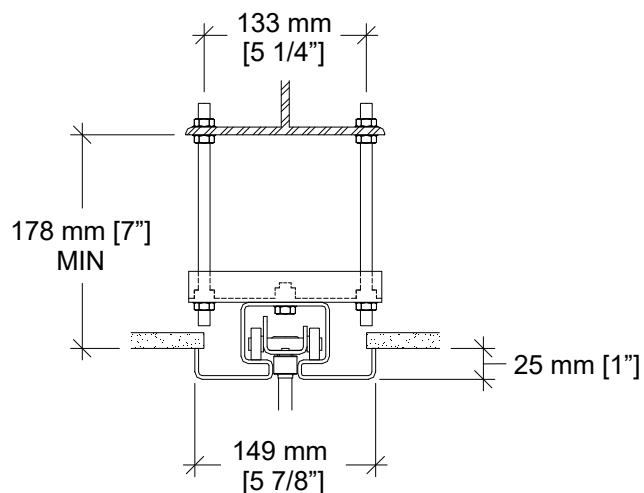


### Track Options



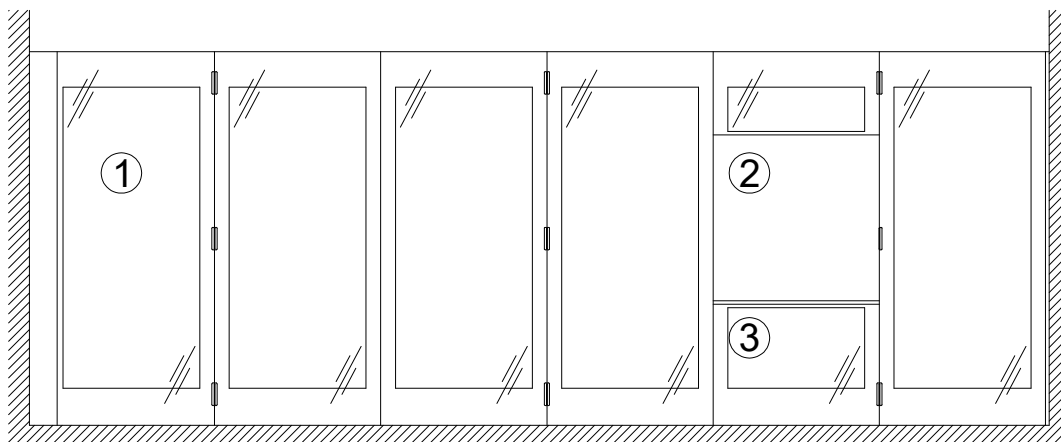
**Optional hanger bracket**

Required for installations where the topmost nuts cannot be used for adjustment.



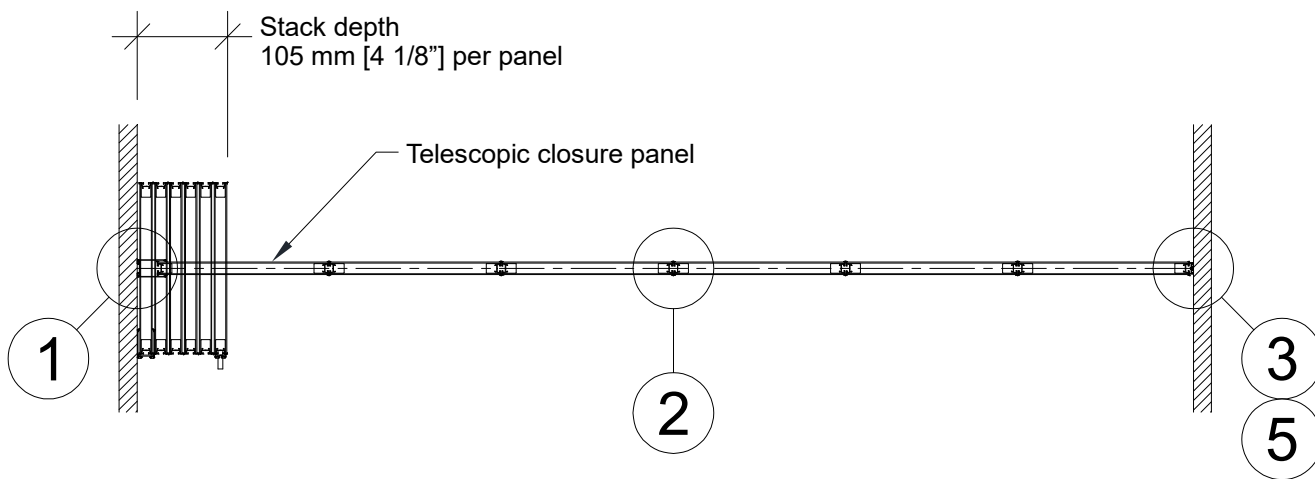
**#72 steel track with hanger bracket**

### Elevation

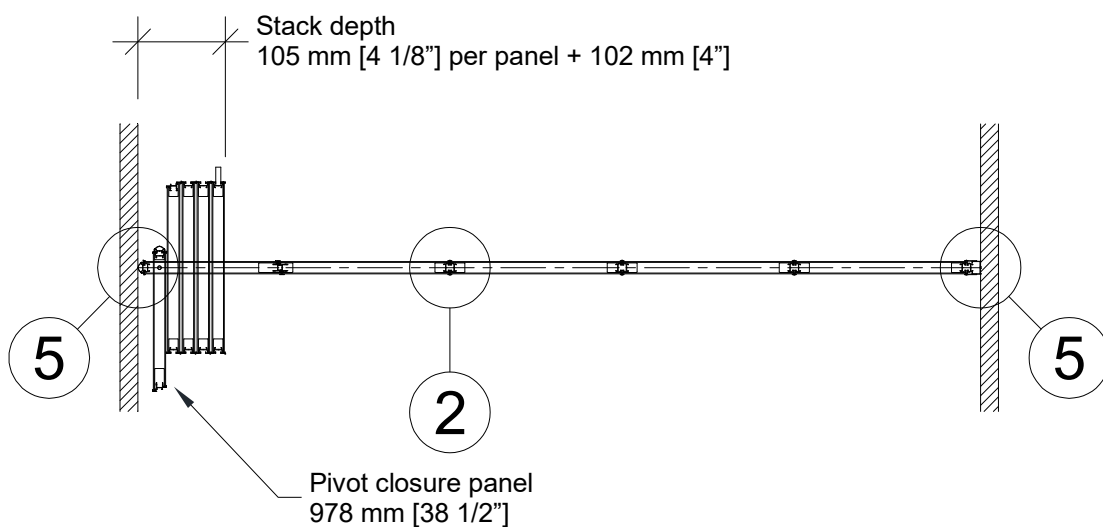


- 1- Telescopic closure panel
- 2- Work surfaces
- 3- Chalk tray

**Plan Views**

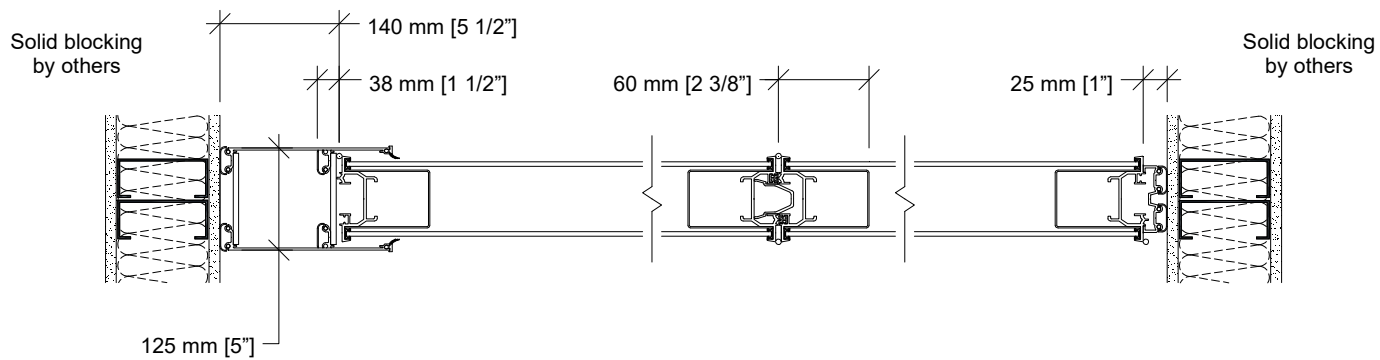


**Telescopic closure panel**



**Pivot closure panel**

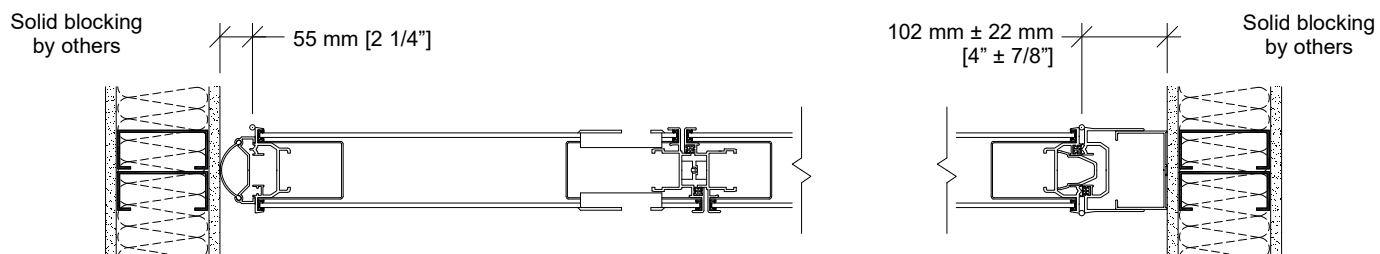
## Horizontal Sections



1 Telescopic closure

2 Panel joint (panels type FA horizontal seals)

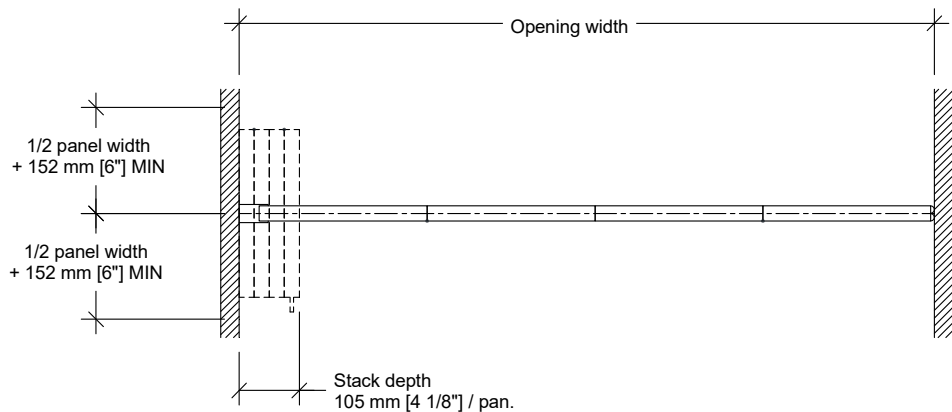
3 Bulb seal



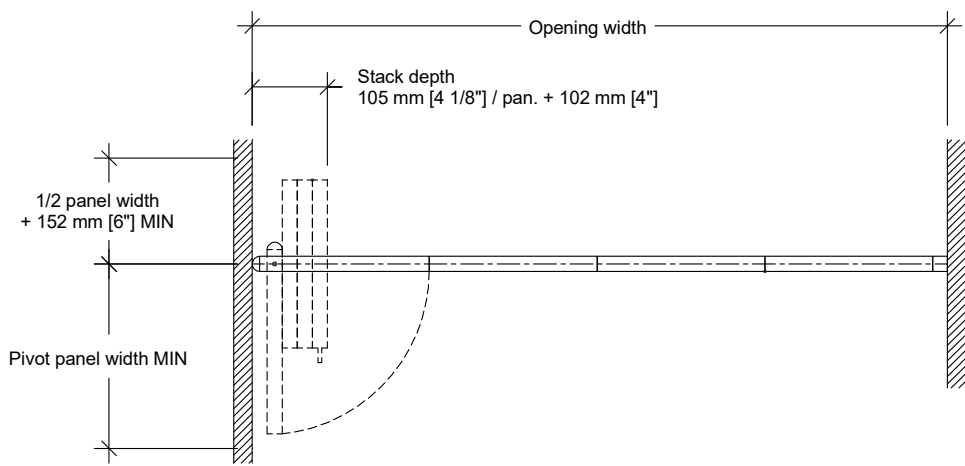
4 Pivot closure panel with recessed pulls and roller latch (optional)

5 Wall jamb (optional)

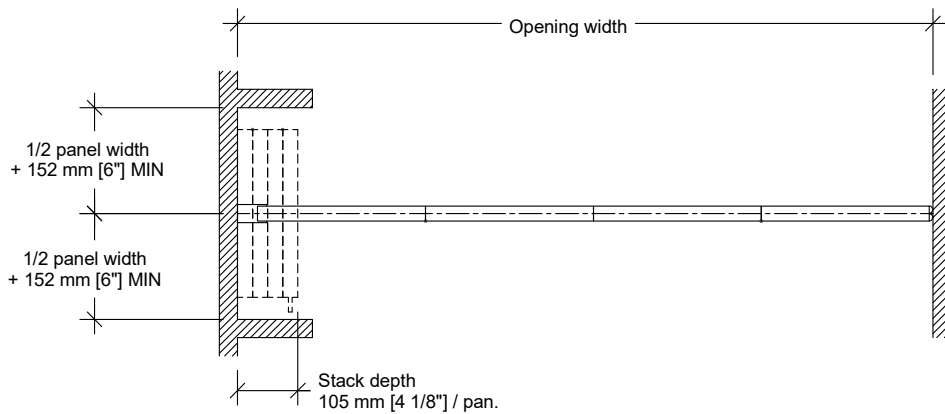
### Typical Layouts



**Wall to wall – telescopic closure**

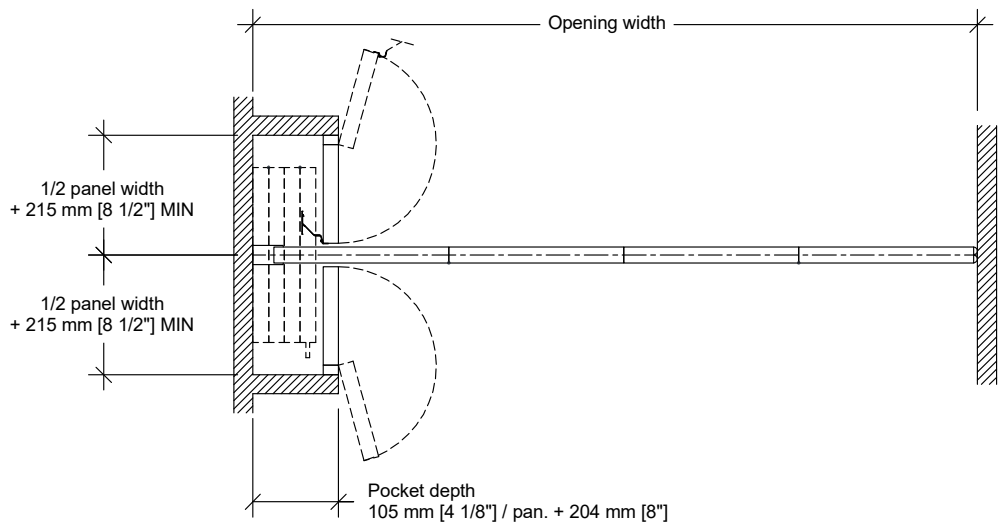


**Wall to wall – pivot closure**

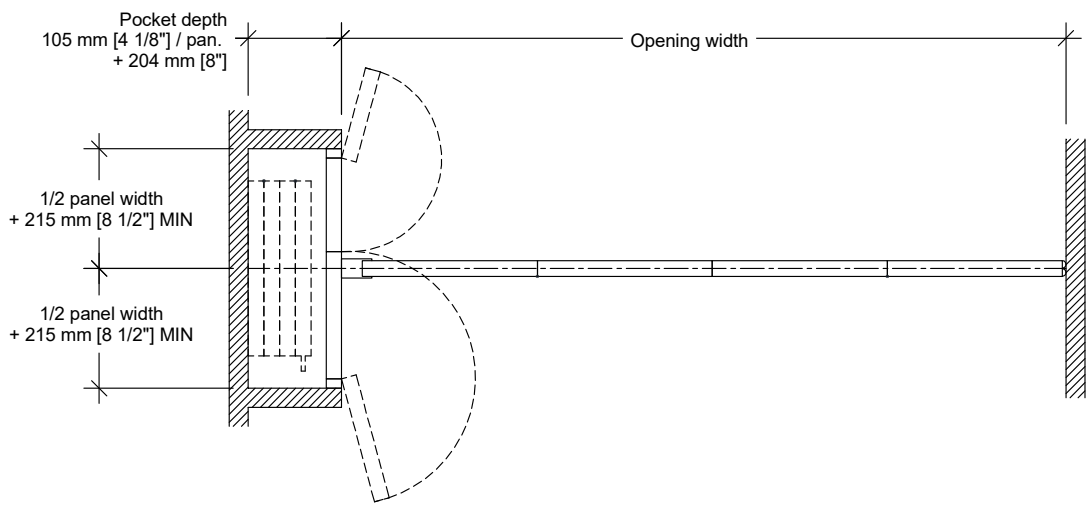


**Pocket**

**Typical Layouts (cont'd)**



**Pocket and PN-83 non-acoustical pocket door  
(partition seals to back of pocket)**



**Pocket and PA-82 acoustical pocket door  
(partition seals to face of pocket door)**