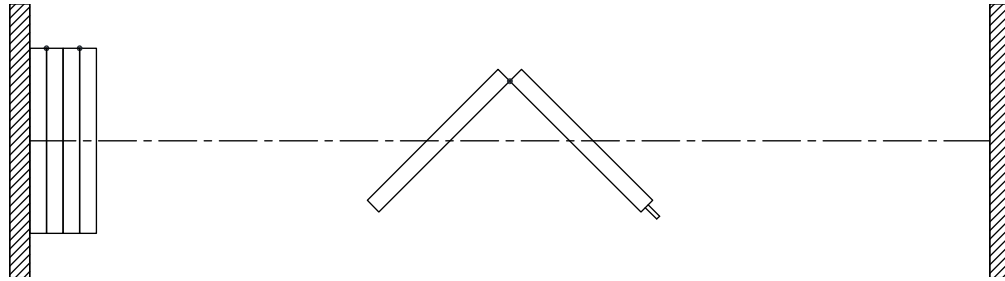




MODERCO

Crystal 200 Series

Technical Data Sheet Crystal 242



Features & Options

Standard Features

- Manually-operated paired-panel glass movable partition.
- STC 44.
- 102 mm [4"] nominal thickness. 1230 mm [48 1/2"] maximum width.
- Clear-anodized steel-reinforced aluminum frame.
- Protective trims on the entire perimeter.
- Combination aluminum and vinyl tongue and groove vertical sound seals between panels.
- Final closure by telescopic jamb.
- Type FA horizontal seals:
 - Fixed top sweeps
 - Automatic retractable bottom seals set as panels are deployed
 - bottom seals provide a 50 mm [2"] floor clearance
- Clear-anodized 6063-T6 alloy aluminum track.
- Each panel supported by one carriers made up of four vertically-aligned precision-ground hardened steel ball bearing wheels with nylon tires.
- 6 mm [1/4"] clear tempered glass faces.

- Maximum height : 3733 mm [12'-3"].

Optional Features and Accessories

- Powder-coated frame and/or track.
- 11 ga. steel track, painted white.
- Glass finishes : stained, colored, acid washed, frosted, etc.
- Battery-powered electrically tilting blinds and operated by remote control.
- Inset white marker boards / chalk boards / natural cork tack boards.
- Chalk tray.
- Acoustical or non-acoustical pocket door.
- Final closure by ADA-compliant pivot panel.

Pivot panel options:

- panic bar
- panic bar with lockable lever
- deadbolt lock

Optional Features and Accessories (cont'd)

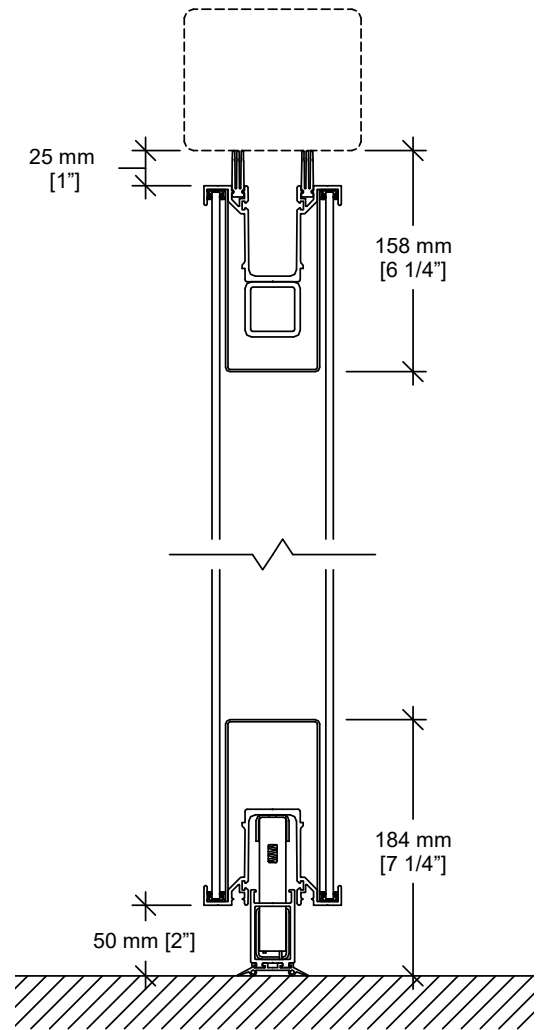
- ADA-compliant u-shaped pass door with flush pulls and roller latch.

Pass door options:

- concealed automatic closer
- panic bar
- panic bar with lockable lever
- self-luminescent exit sign with red (standard) or green (optional) faceplate *
- “running man” self-luminescent exit sign with green faceplate *
- deadbolt lock *

(* An exit sign and a deadbolt lock will not be installed together on the same door.)

Horizontal Seals



Type FA

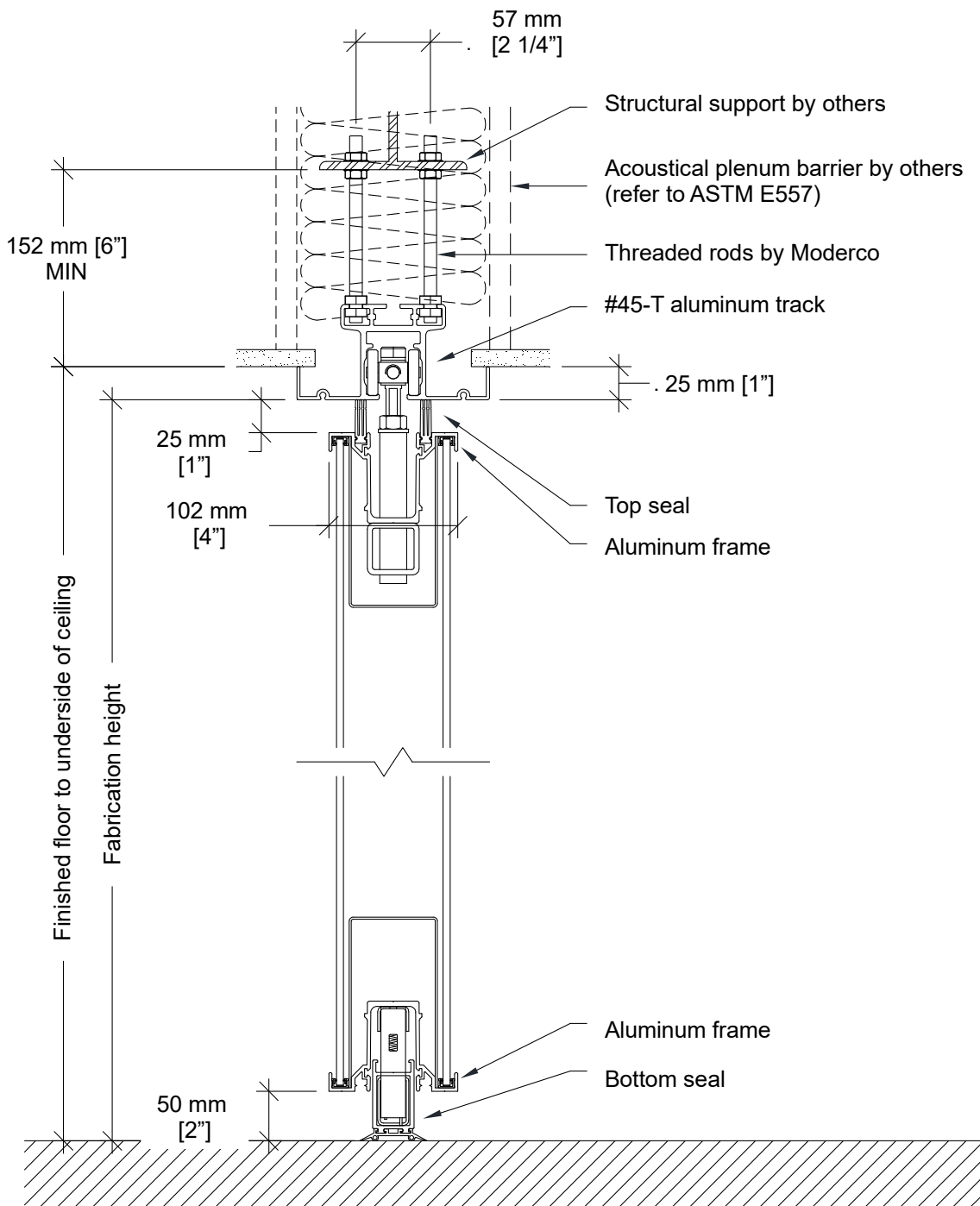
Floor clearance : 50 mm [2"]

Operating tolerances :

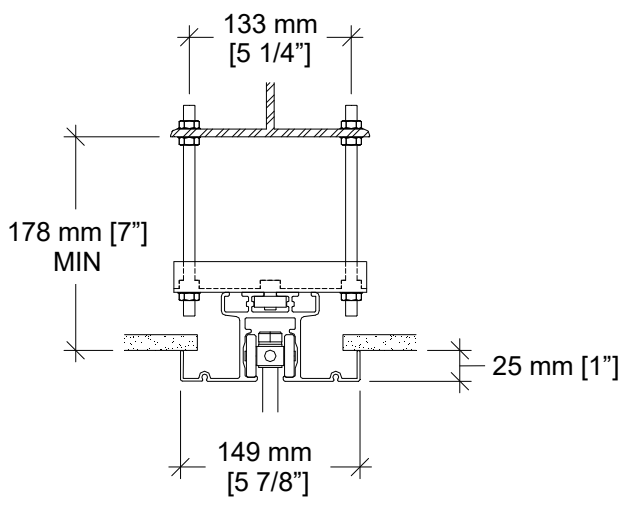
+0 mm / -38 mm [+0" / -1 1/2"]

(+0 mm / -25 mm [+0" / -1"] if the partition has a pass through door)

Vertical Section

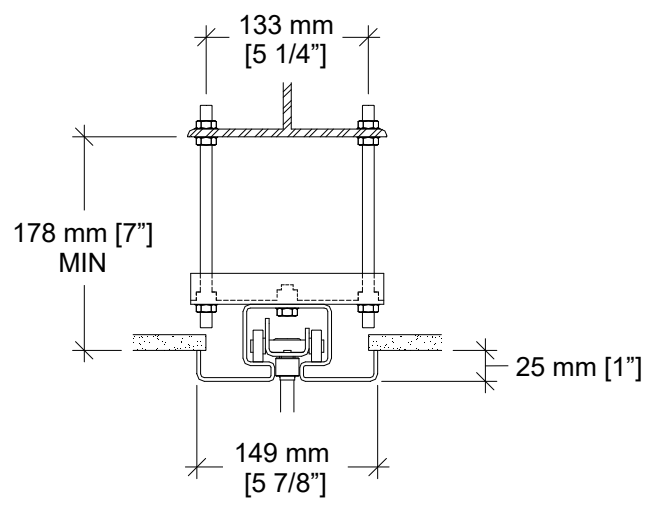


Track Options



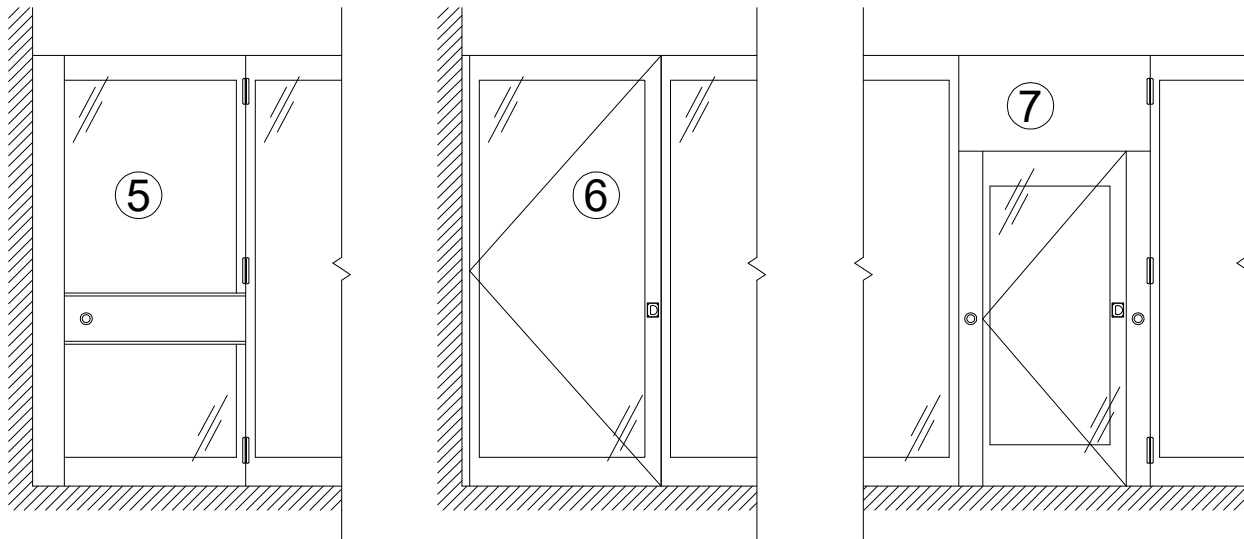
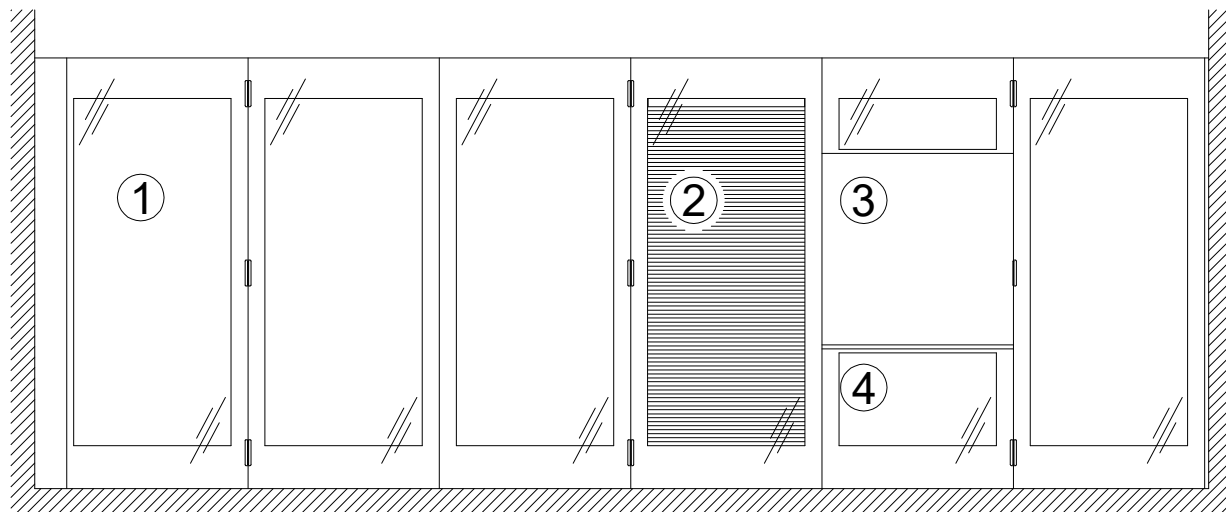
Optional hanger bracket

Required for installations where the topmost nuts cannot be used for adjustment.



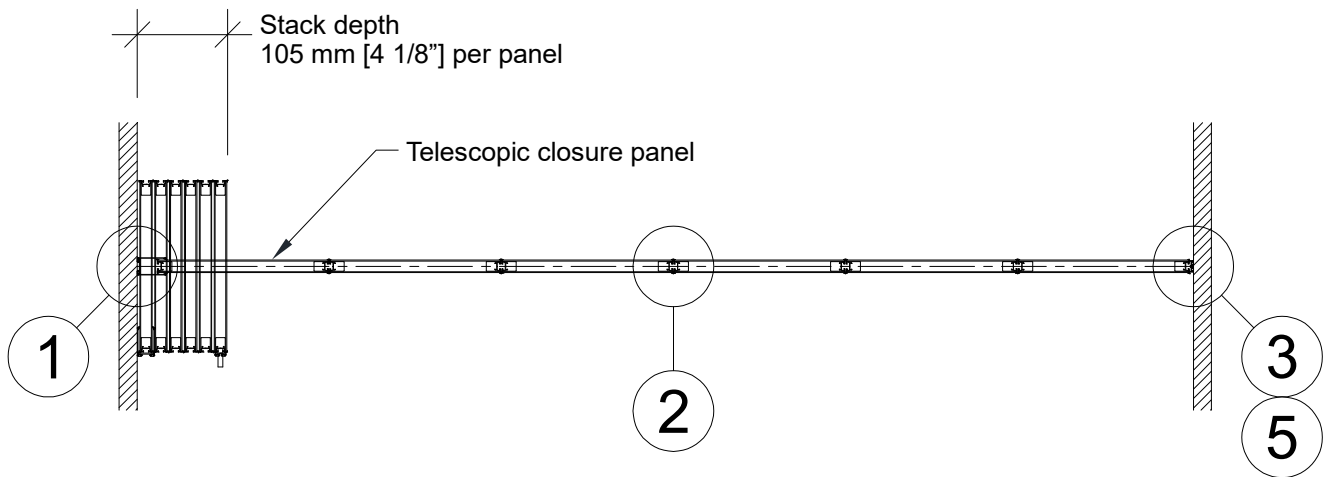
#72 steel track with hanger bracket

Elevation

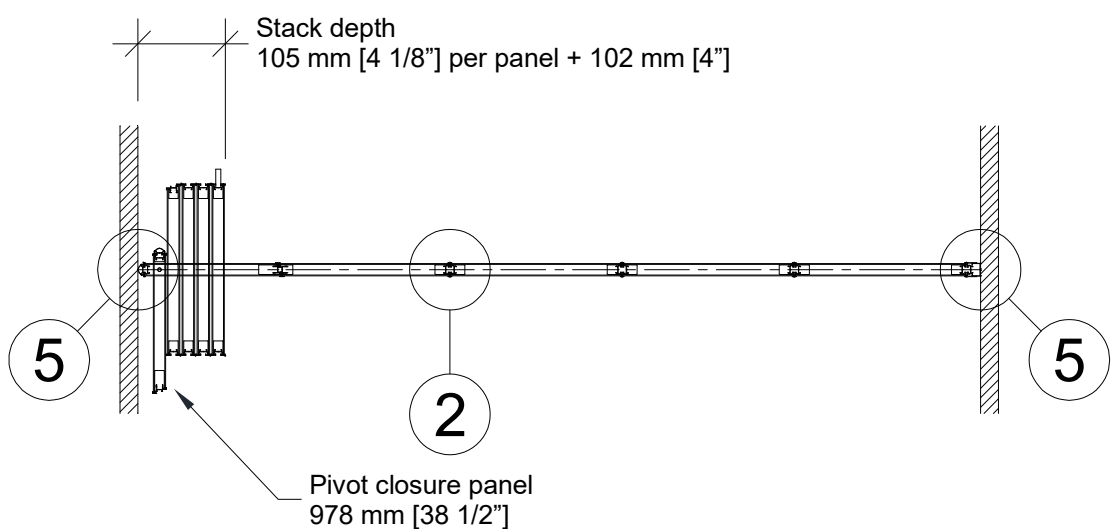


- 1- Telescopic closure panel
- 2- Electrically tilting blinds operated by remote control (optional)
- 3- Work surfaces (optional)
- 4- Marker tray (optional)
- 5- Telescopic closure panel with rack and pinion mechanism (optional)
- 6- Pivot panel (optional)
- 7- U-shaped pass door (optional)

Plan Views

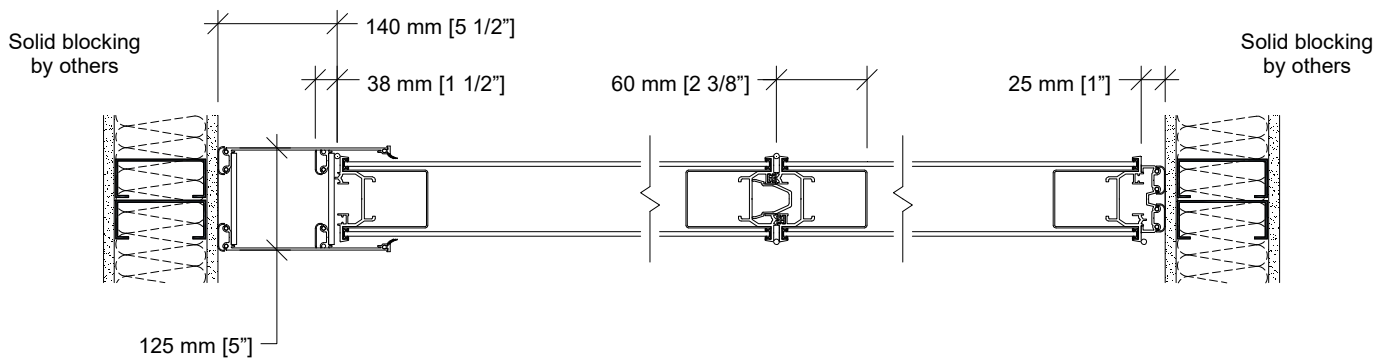


Telescopic closure panel



Pivot closure panel

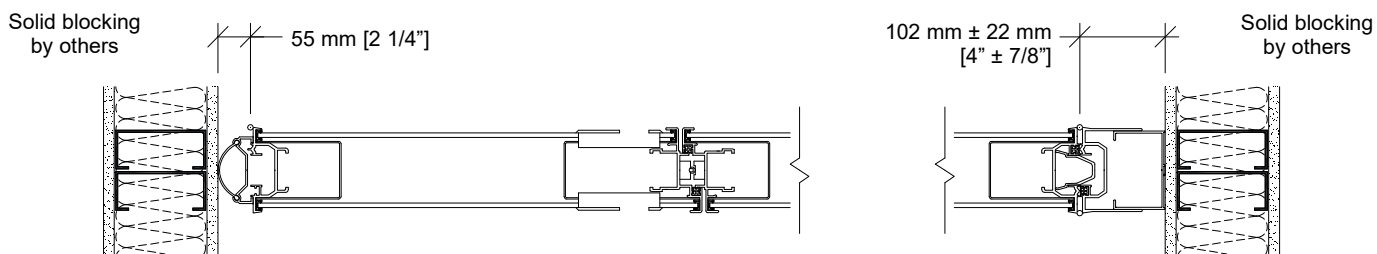
Horizontal Sections



1 Telescopic closure

2 Panel joint (panels type FA horizontal seals)

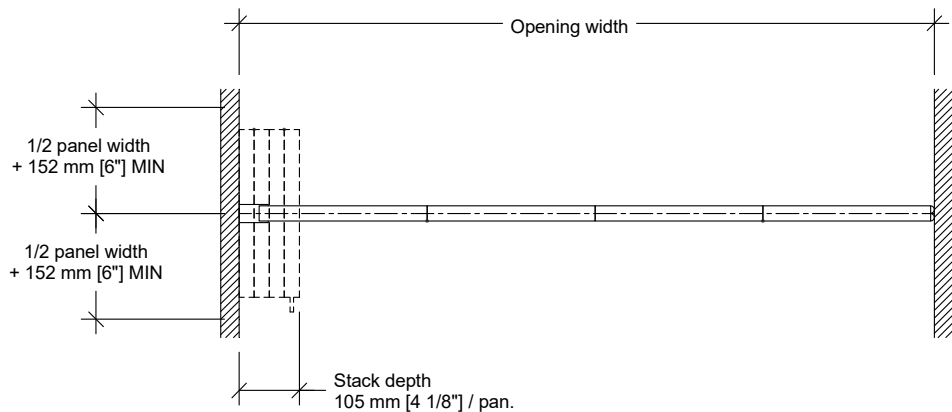
3 Bulb seal



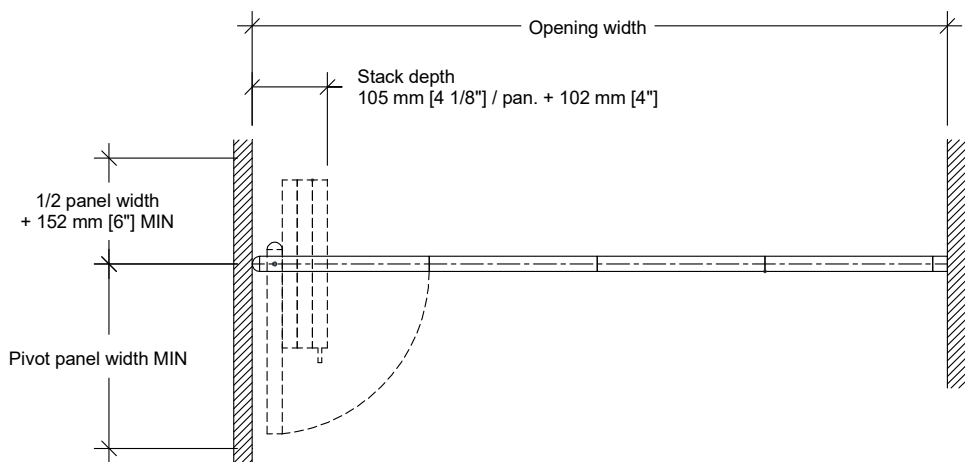
4 Pivot closure panel with recessed pulls and roller latch (optional)

5 Wall jamb (optional)

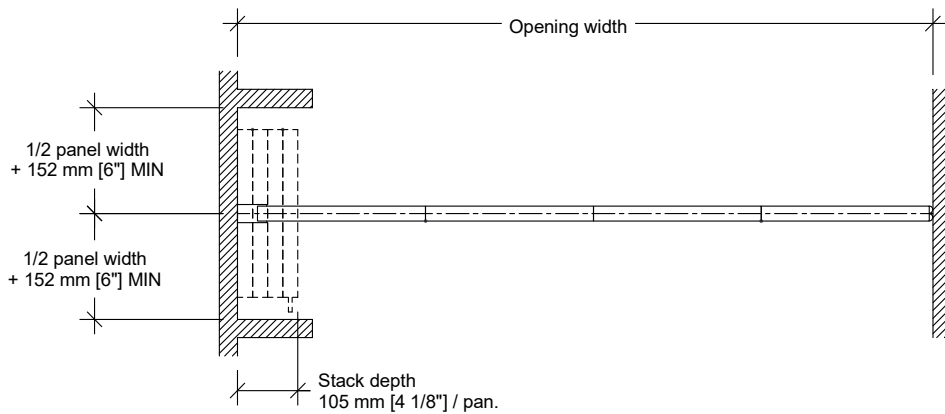
Typical Layouts



Wall to wall – telescopic closure

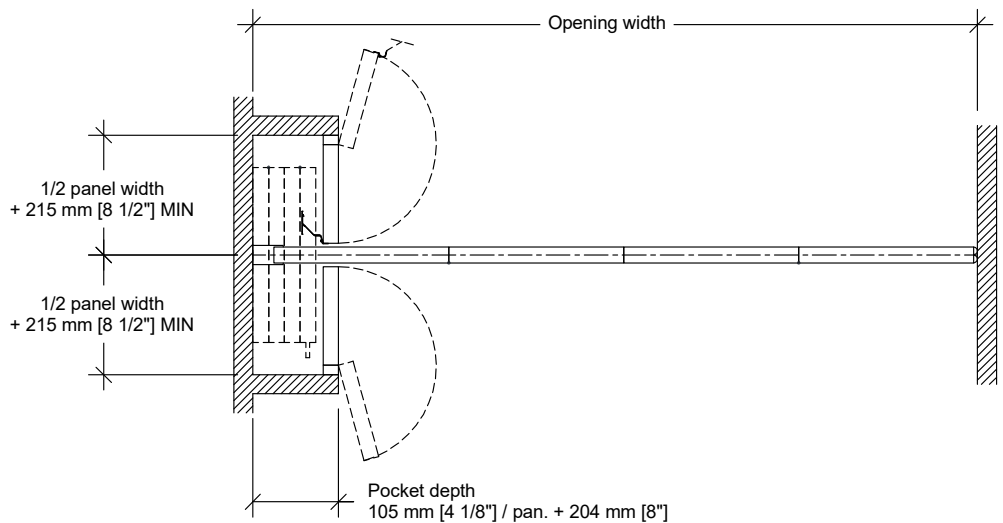


Wall to wall – pivot closure

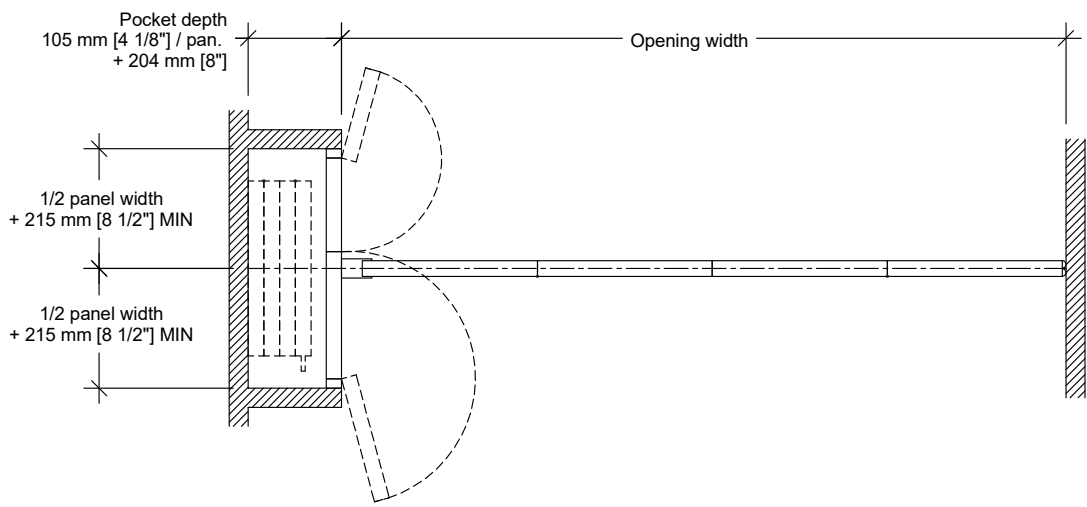


Pocket

Typical Layouts (cont'd)



**Pocket and PN-83 non-acoustical pocket door
(partition seals to back of pocket)**



**Pocket and PA-82 acoustical pocket door
(partition seals to face of pocket door)**