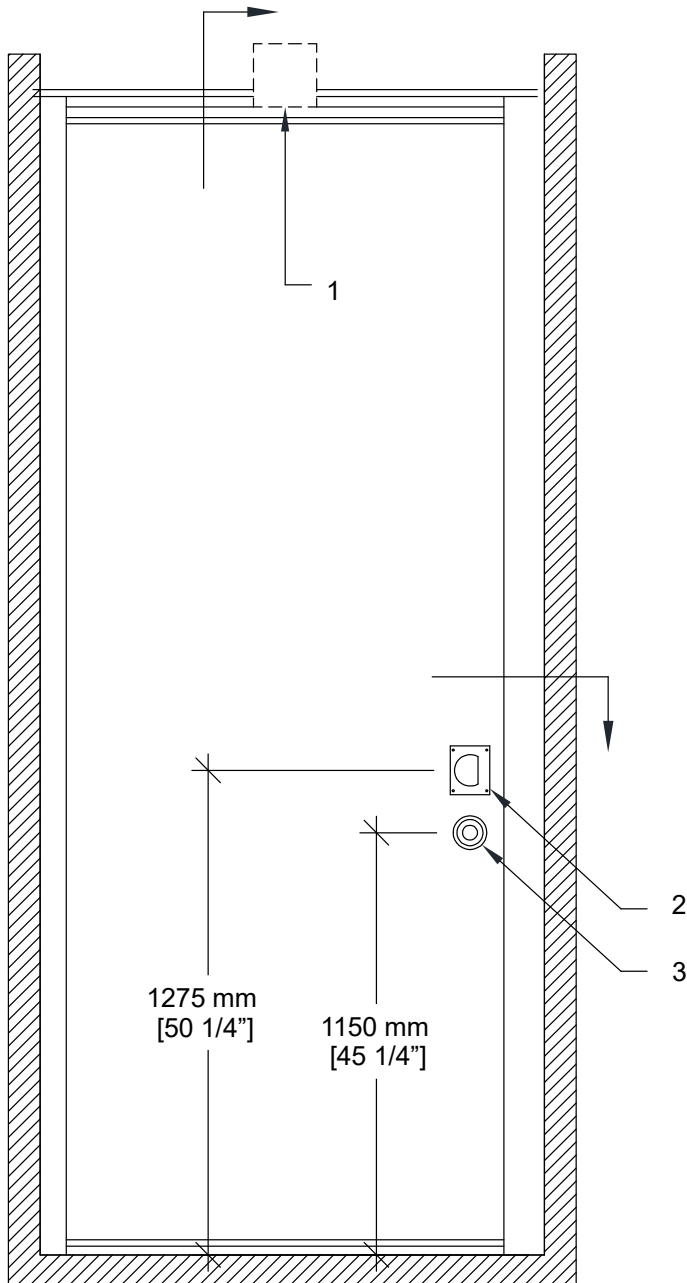




**MODERCO**

Excel 700 Series

## Technical Data Sheet Excel 700 PA-71 Pocket Door

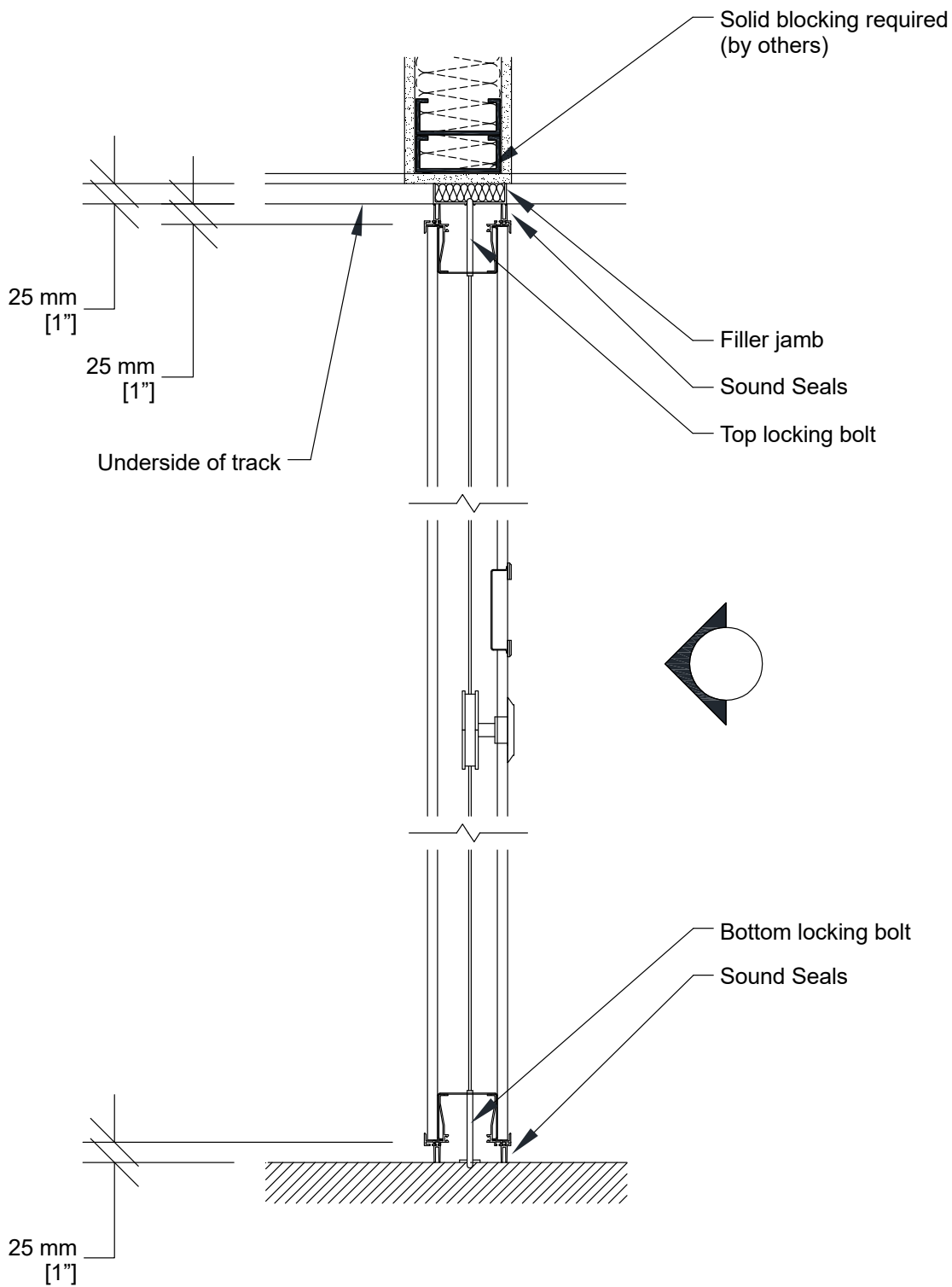


### **PA-71 Acoustical Pocket Door**

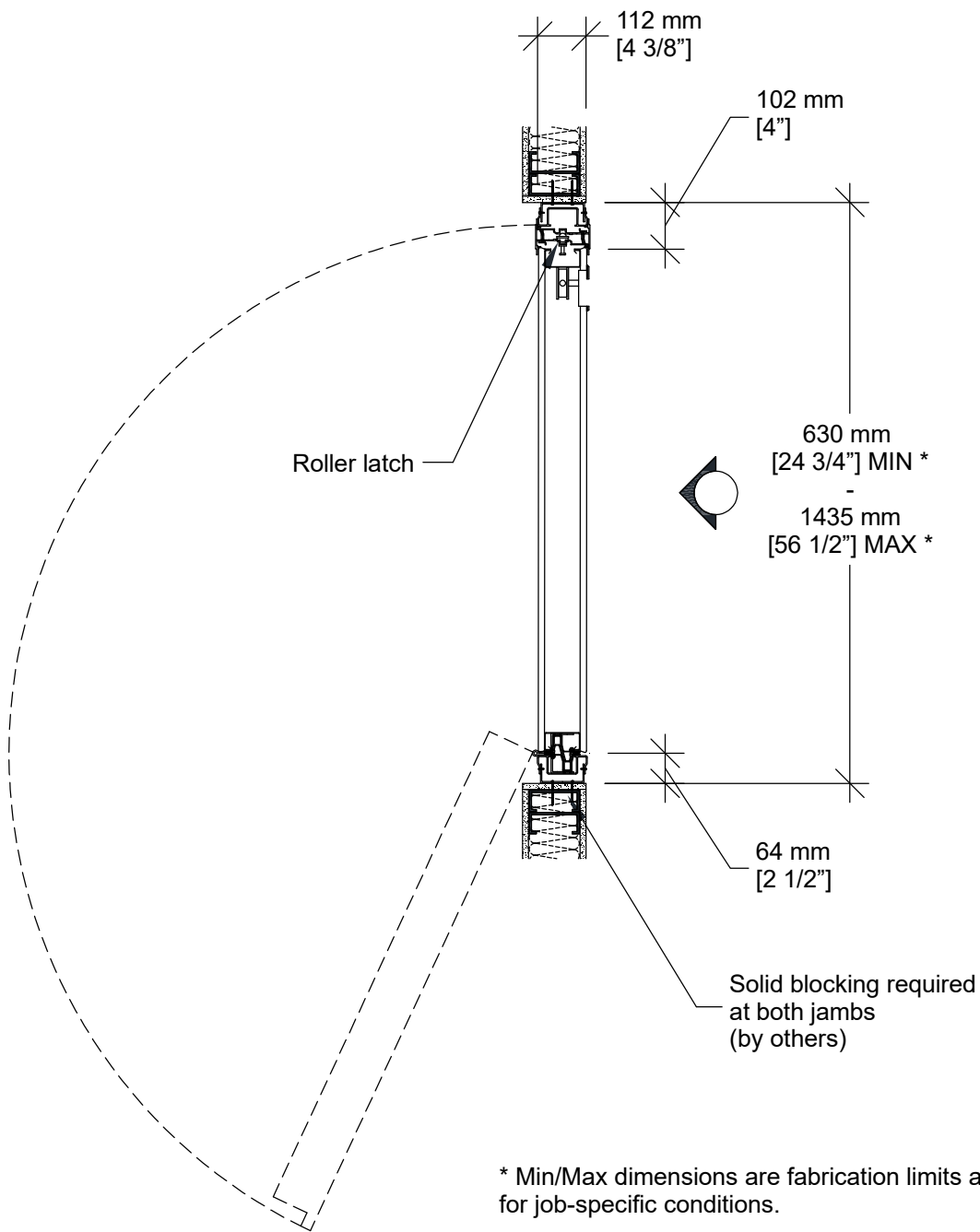
- 1 section
- Same core construction as movable partition panels
- Same surface finish as movable partition / optional custom finish / unfinished
- Same frame finish as movable partition / optional custom finish
- Full leaf butt hinges
- Fixed top and bottom sweeps
- Top and bottom locking bolts (if required by layout)
- Optional deadbolt lock

- 1- Track
- 2- Flush pull
- 3- Top and bottom locking bolt activator

### Vertical Section



### Horizontal Section



\* Min/Max dimensions are fabrication limits and do not account for job-specific conditions.

Please consult shop drawings or local Moderco distributor prior to sizing pockets.