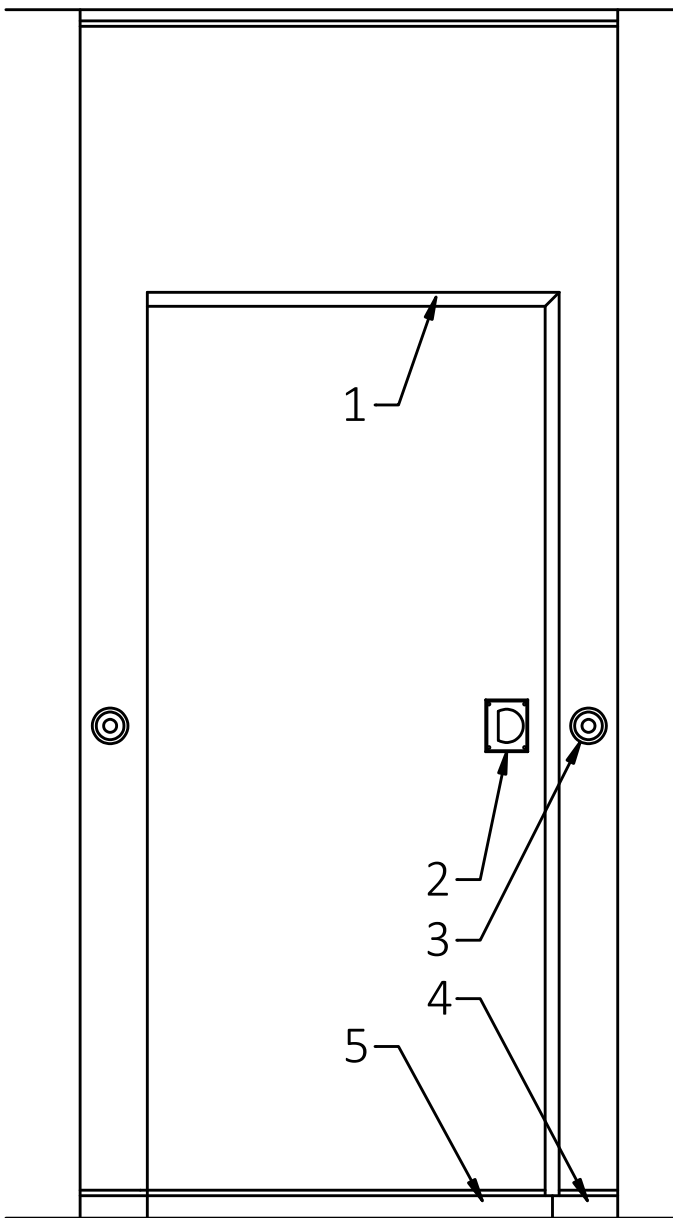




MODERCO

Excel 700 Series

Technical Data Sheet Excel 741 & 742 Single Pass Door

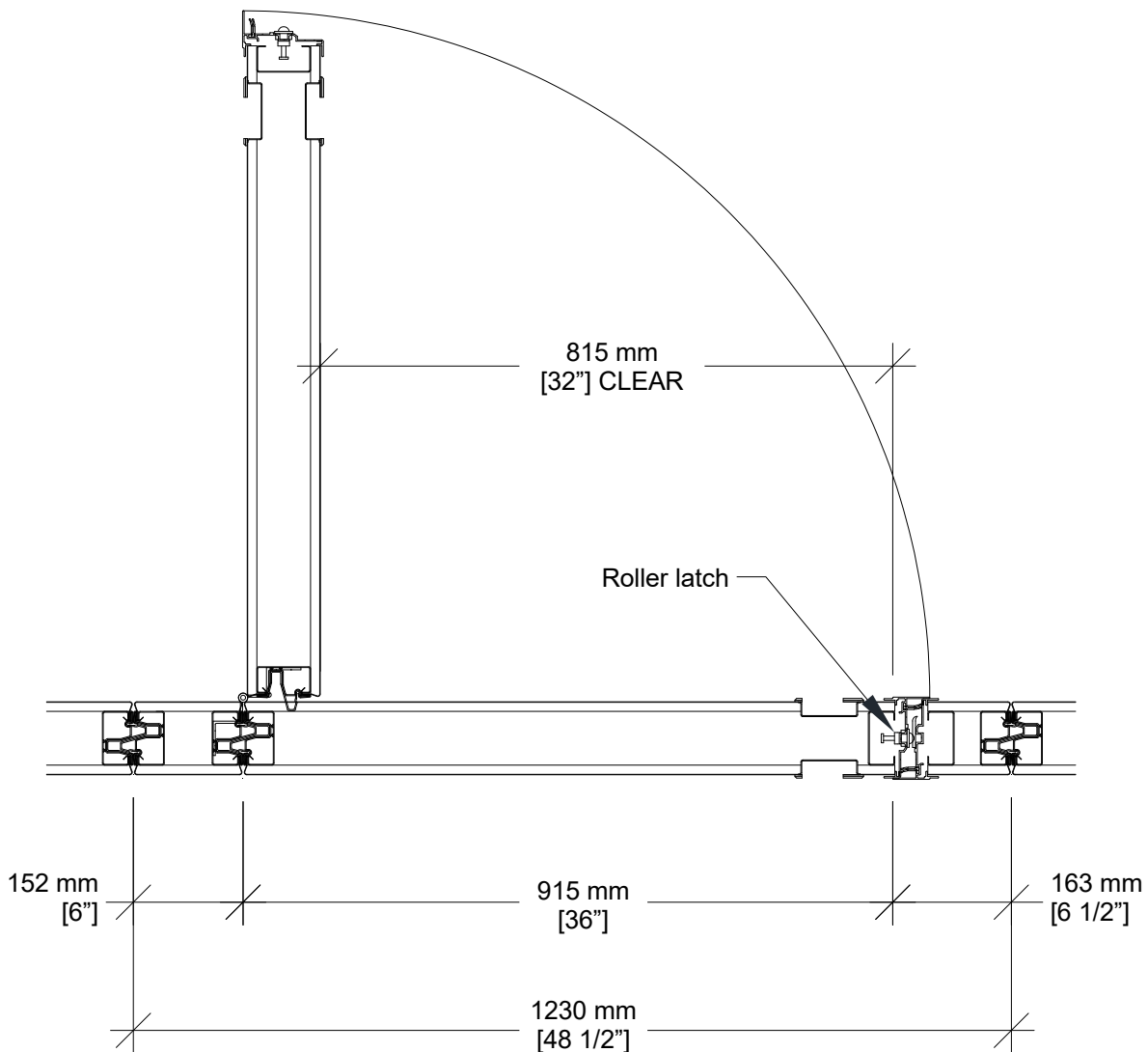


- Same core construction as movable partition panels
- Same surface finish as movable partition
- Steel butt hinges.
- Flush pulls and roller latch
- Minimum height without EXIT Sign :
 - 2451 mm [8'-0 1/2"] underside of track for 2134 mm [7'-0"] door
 - 2349 mm [7'-8 1/2"] underside of track for 2032 mm [6'-8"] door
- Minimum height with EXIT Sign :
 - 2667 mm [8'-9"] underside of track for 2134 mm [7'-0"] door
 - 2565 mm [8'-5"] underside of track for 2032 mm [6'-8"] door

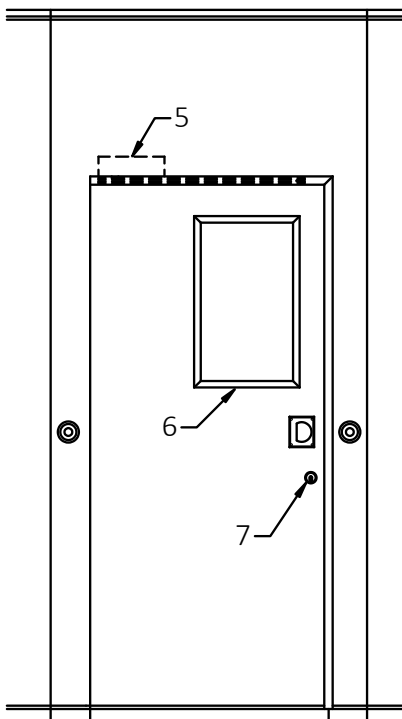
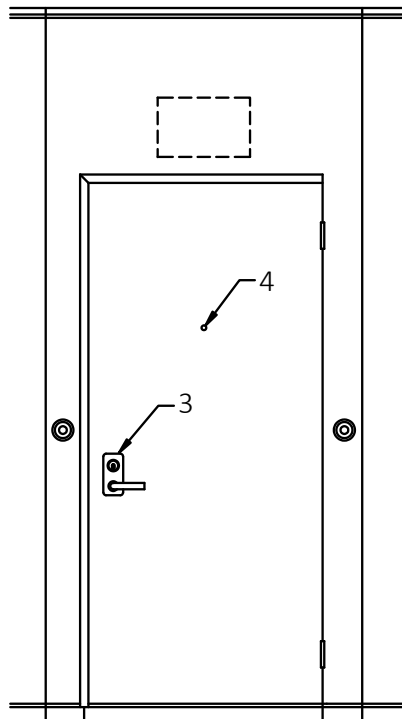
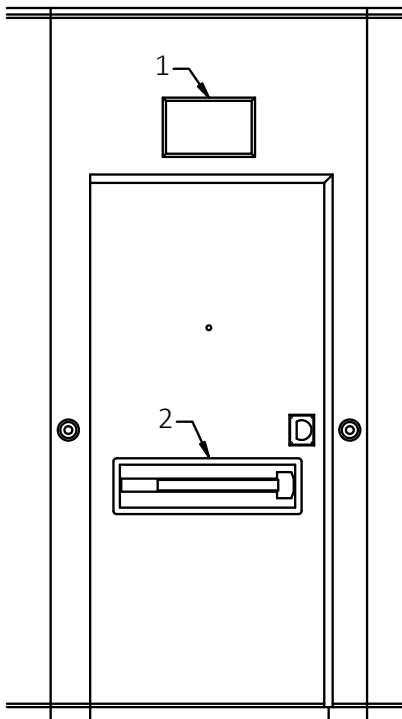
- 1- Hidden fixed sweeps
- 2- Flush pull
- 3- Retractable seal activators
- 4- Manually-activated bottom seals
- 5- Fixed sweeps



Horizontal Section



Optional Hardware



- 1- Self-luminescent Exit Sign
 - standard red faceplate
 - optional green faceplate
 - optional "Running Man" with green faceplate

2- Panic Bar ¹

3- Panic bar Lever (with optional lock)

4- Door Viewer

5- Concealed Door Closer

6- Window Frame

- 355 mm X 610 mm [14" X 24"]
- Glazing by others

7- Deadbolt lock ²

¹ Add 102 mm [4"] to stack depth for each panic bar

² Not available with panic bar or exit sign