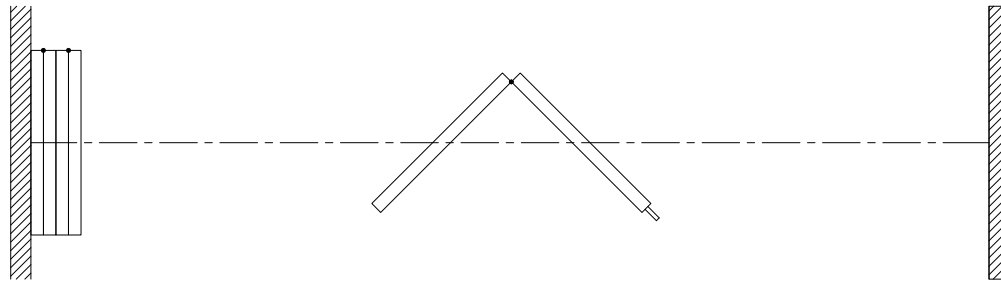


## Technical Data Sheet Excel 732



### ***Features & Options***

#### **Standard Features**

- Manually-operated paired-panel movable partition.
- STC 48 or 52.
- Steel faces laminated to gypsum board.
- 85 mm [3 3/8"] nominal thickness. 1230 mm [48 1/2"] maximum width.
- 16 ga. welded steel frame.
- Trimless vertical edges.
- Combination aluminum and vinyl tongue and groove vertical sound seals between panels.
- Final closure by telescopic jamb.
- Type FA horizontal seals :
  - Fixed top sweeps
  - Automatic retractable bottom seals set as panels are deployed
  - bottom seals provide a 50 mm [2"] floor clearance
- Low profile steel hinges.
- Each panel supported by one carrier made up of four vertically-aligned precision-ground hardened steel ball bearing wheels with nylon tires.

- Clear-anodized 6063-T6 alloy aluminum track.
- Vinyl wallcovering.
- Maximum height: 6780 mm [22'-3"].

#### **Optional Features and Accessories**

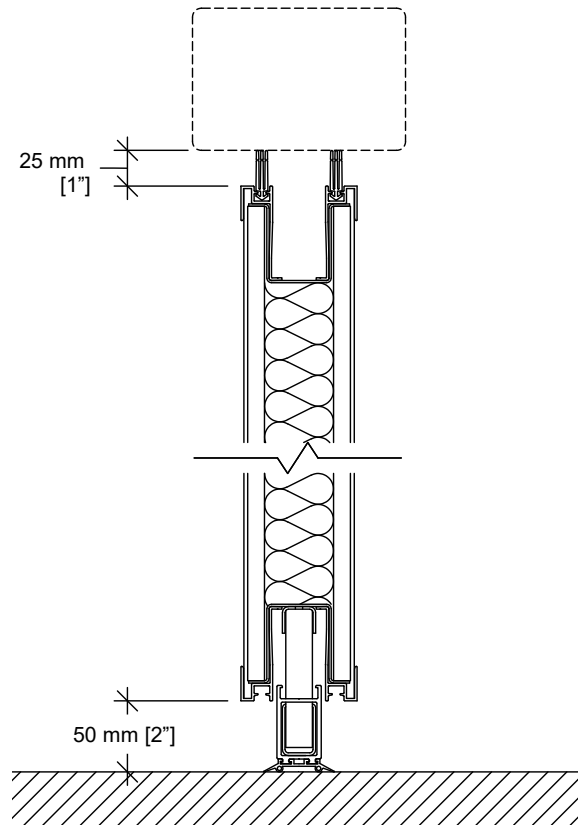
- Powder-coated frame and/or track.
- 11 ga. steel track, painted white.
- Upgraded wallcoverings : fabric or full-height marker board.
- Owner-supplied wallcovering (approval required).
- Surface-mounted white marker boards (with no vertical trims).
- Surface-mounted natural cork tack boards.
- Eraser boxes.
- Acoustical or non-acoustical pocket door.

**Optional Features and Accessories (cont'd)**

- ADA-compliant pass door with flush pulls and roller latch.
- Door options:
  - concealed automatic closer
  - window frame
  - door viewer
  - panic bar
  - panic bar with lockable lever
  - Self-luminous "Running Man" exit sign with green faceplate (standard outside USA, optional in USA) \*
  - Self-luminous "EXIT" sign with red faceplate (standard in USA, optional elsewhere) \*
  - Self-luminous "EXIT" sign with green faceplate (optional) \*
  - deadbolt lock \*

*\* An exit sign and a deadbolt lock will not be installed together on the same door.*

**Horizontal Seals**



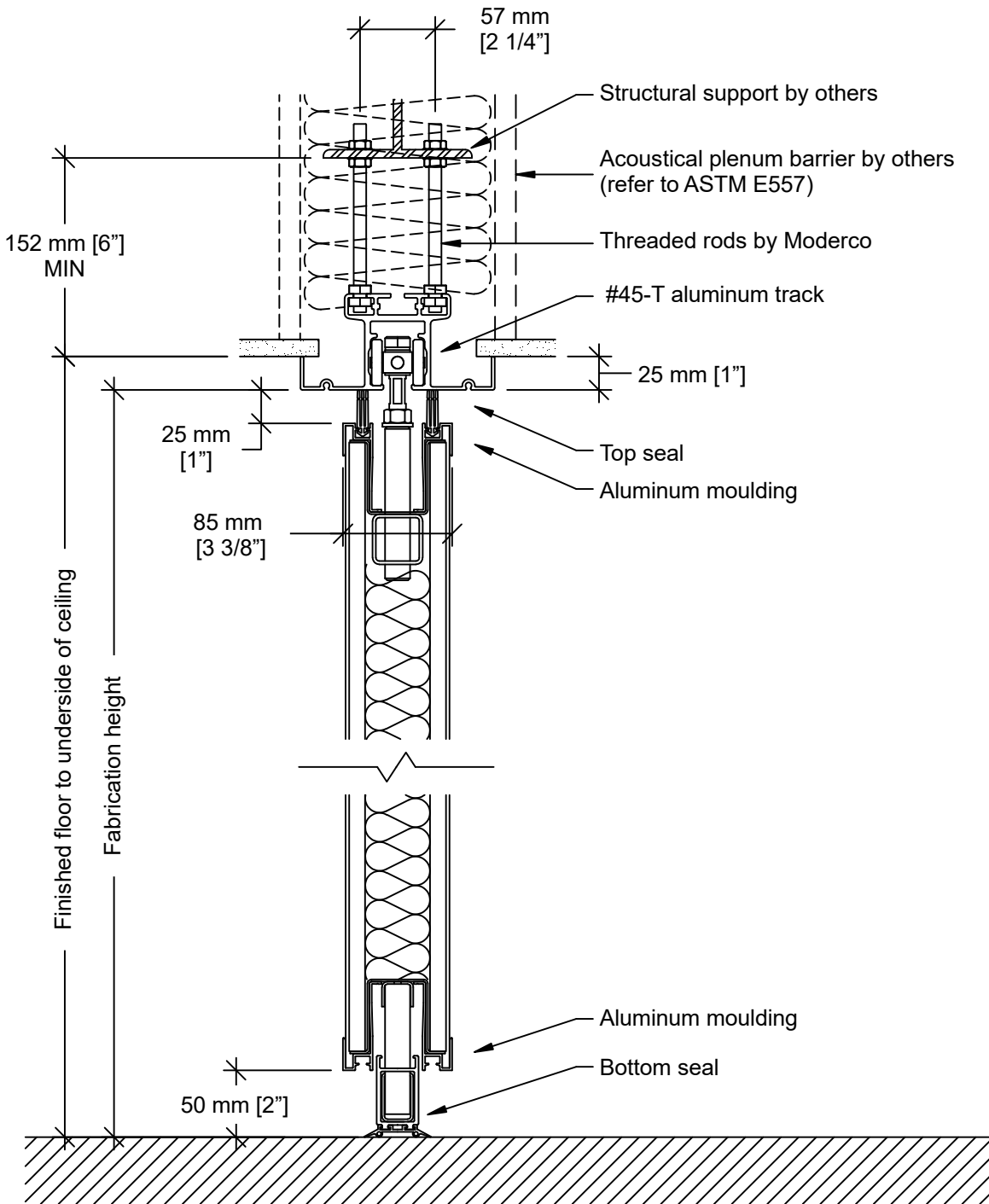
**Type FA**

Floor clearance : 50 mm [2"]

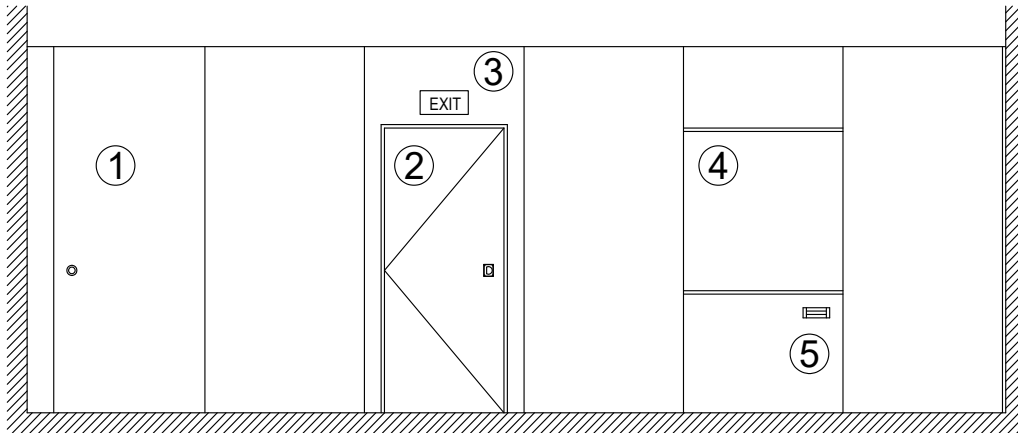
Operating tolerances :

+0 mm / -38 mm [+0" / -1 1/2"]

### Vertical Section

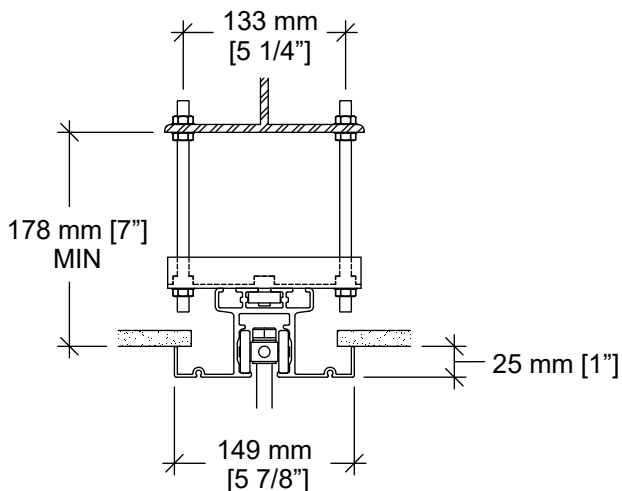


### Elevation



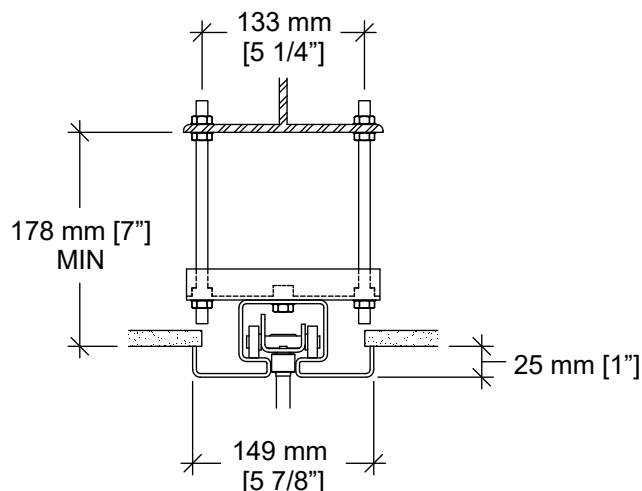
- |                               |                 |
|-------------------------------|-----------------|
| 1- Telescopic closure panel   | 4- Work surface |
| 2- Single pass door           | 5- Eraser box   |
| 3- Self-illuminated exit sign |                 |

## Track Options



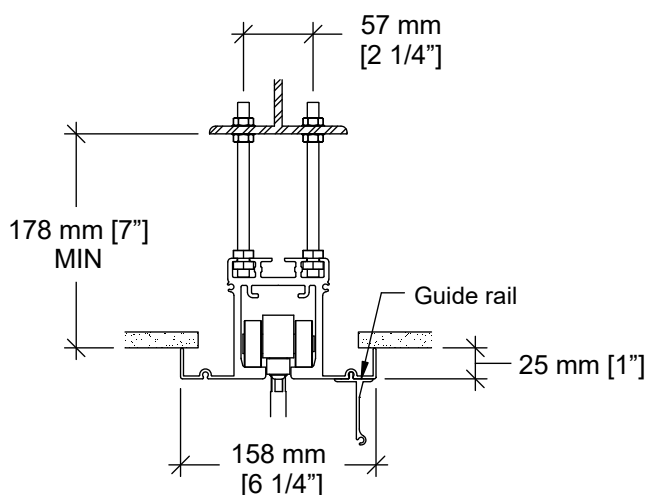
**#45-T track with optional hanger bracket**

Hanger bracket required for installations where the topmost nuts cannot be used for adjustment.



**#72 steel track with hanger bracket**

Optional for partitions up to 4648 mm [15'-3"].

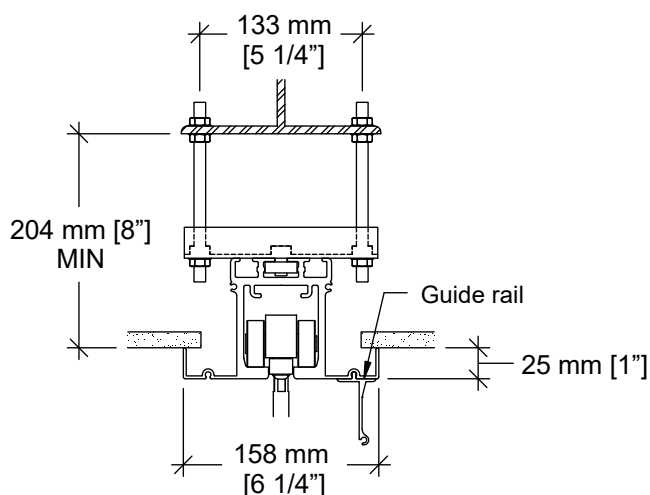


**#55-T aluminum track (#53 trolley)**

Standard for partitions from a height of 4648 mm [15'-3"] up to 6780 mm [22'-3"].

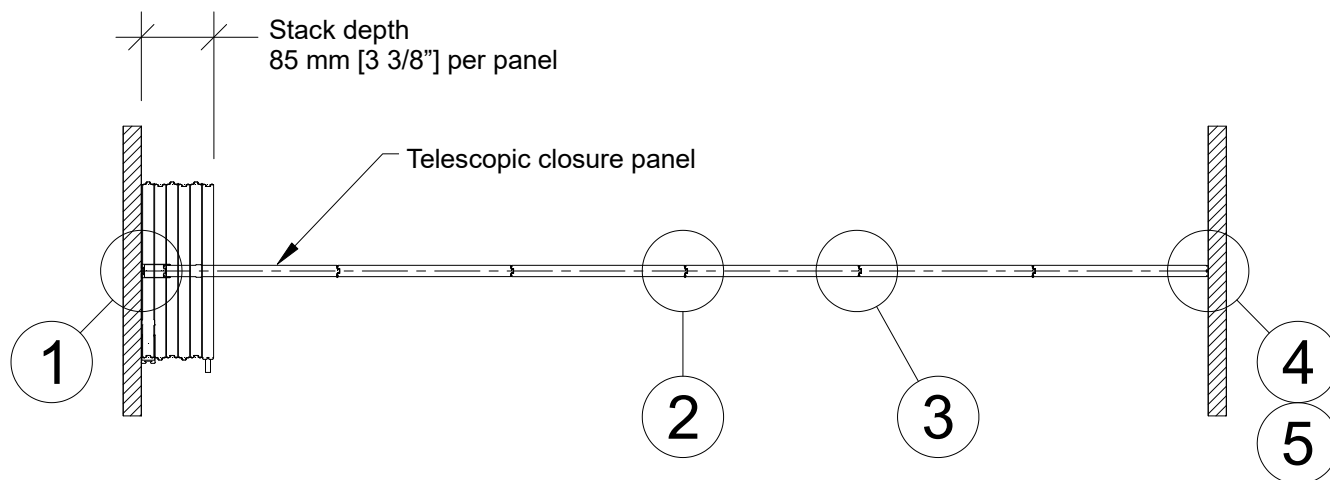
Optional for partitions up to 4648 mm [15'-3"].

Guide rail required for partitions over 4648 mm [15'-3"].



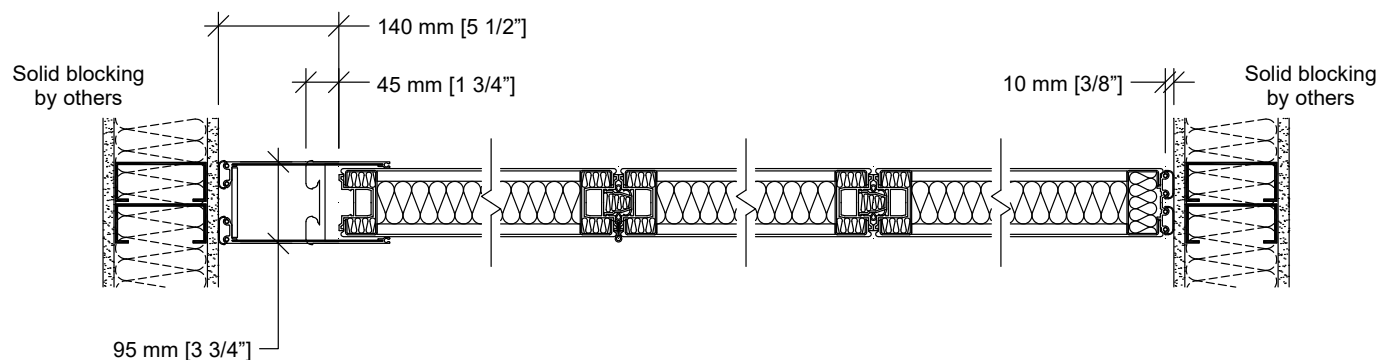
**#55-T aluminum track (#53 trolley) with optional hanger bracket**

*Plan View*



**Telescopic closure panel**

### Horizontal Sections

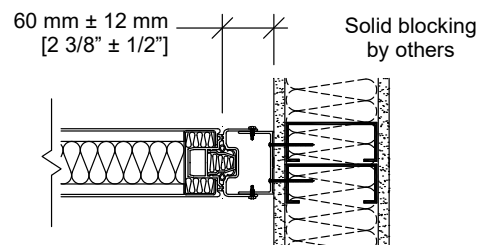


1 Telescopic closure

2 Hinged panel joint

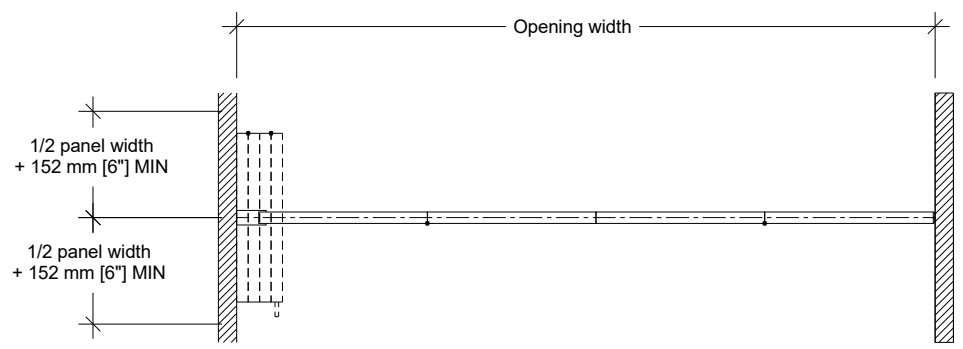
3 Panel joint

4 Bulb seal

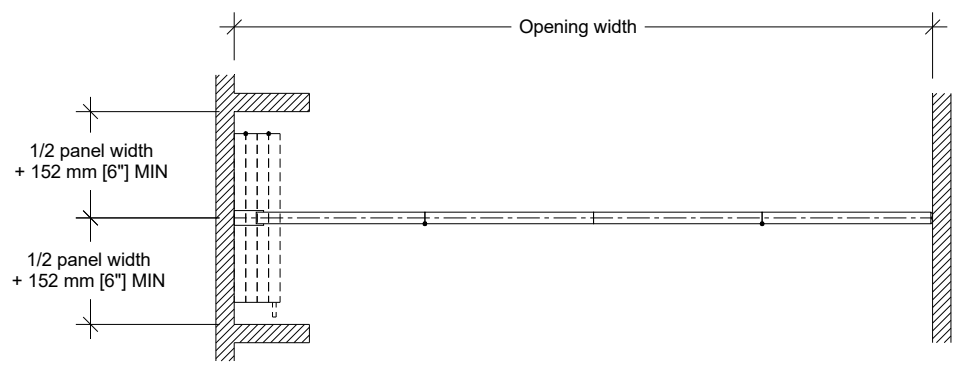


5 Wall jamb (optional)

**Typical Layouts**



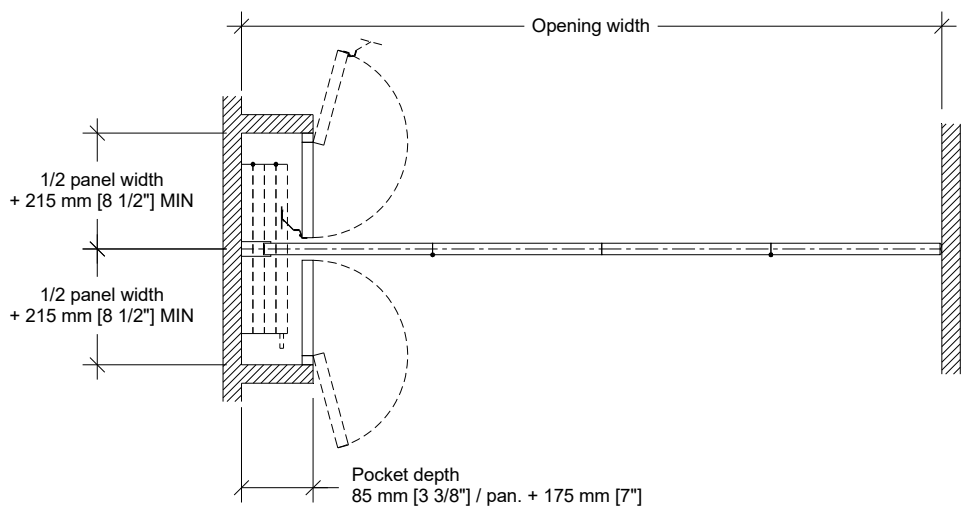
**Wall to wall – telescopic closure**



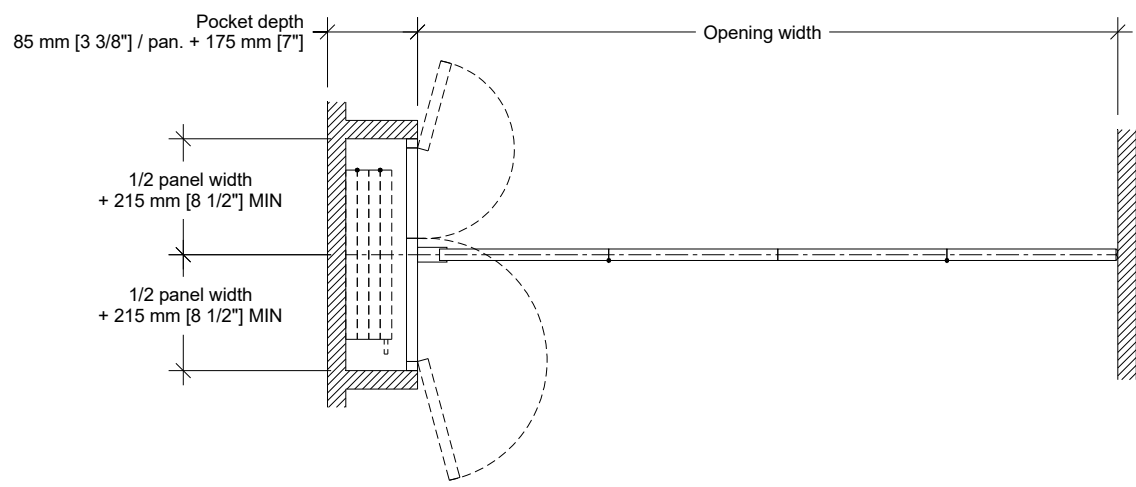
**Pocket**



**Typical Layouts (cont'd)**



**Pocket and PN-73 non-acoustical pocket door  
(partition seals to back of pocket)**



**Pocket and PA-72 acoustical pocket door  
(partition seals to face of pocket door)**