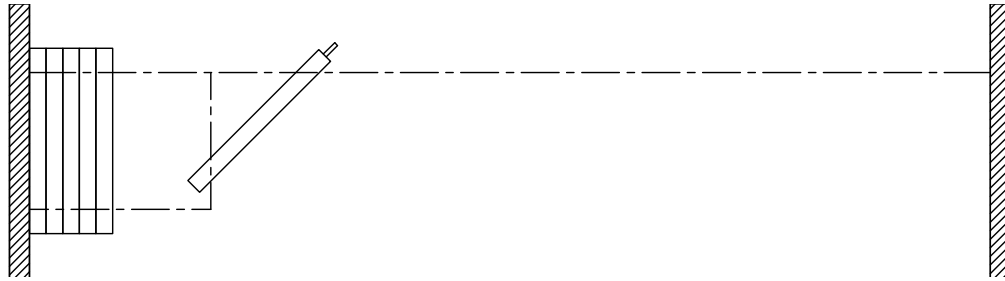




MODERCO

Excel 700 Series

Technical Data Sheet Excel 741



Features & Options

Standard Features

- Manually-operated individual-panel movable partition.
- STC 43, 48, 50, or 54.
- Steel faces laminated to gypsum board.
- 102 mm [4"] nominal thickness. 1230 mm [48 1/2"] maximum width.
- 18 ga. welded steel frame.
- Trimless vertical edges.
- Combination aluminum and vinyl tongue and groove vertical sound seals between panels.
- Final closure by telescopic jamb.
- Type FA horizontal seals :
 - Fixed top sweeps
 - Automatic retractable bottom seals set as panels are deployed
 - bottom seals provide a 50 mm [2"] floor clearance
- Clear-anodized 6063-T6 alloy aluminum track.

- Each panel supported by two carriers made up of two horizontally-aligned precision-ground hardened steel ball bearing wheels with nylon tires.
- Vinyl wallcovering.
- Maximum height: 4953 mm [16'-3"].

Optional Features and Accessories

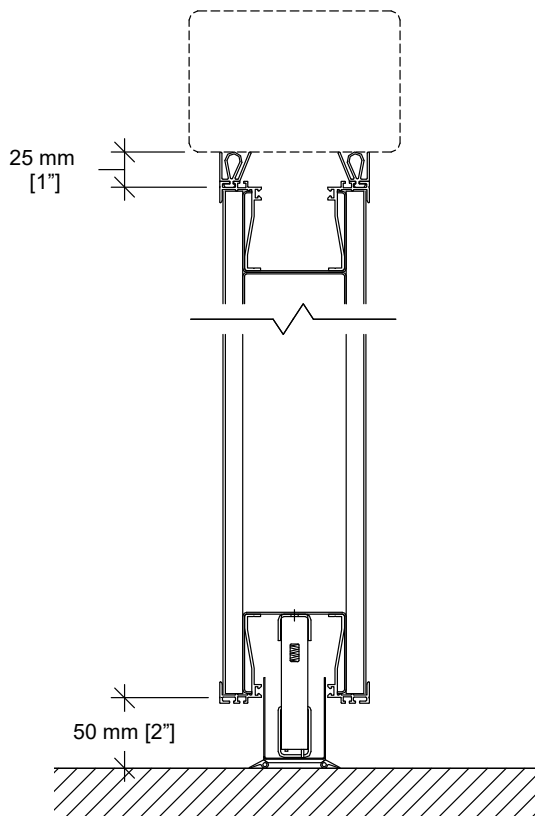
- STC 43 with gypsum board faces.
- Protective trims on entire perimeter.
- Powder-coated frame and/or track.
- 11 ga. steel track, painted white.
- Upgraded wallcoverings : fabric, vertically-ribbed carpet, or full-height marker board.
- Owner-supplied wallcovering (approval required).
- Final closure by hinged closure panel.
- ADA-compliant pass door with flush pulls and roller latch.

Optional Features and Accessories (cont'd)

- Door options:
 - concealed automatic closer
 - window frame
 - door viewer
 - panic bar
 - panic bar with lockable lever
 - self-illuminated exit sign *
 - "green running man" self-illuminated exit sign *
 - deadbolt lock *

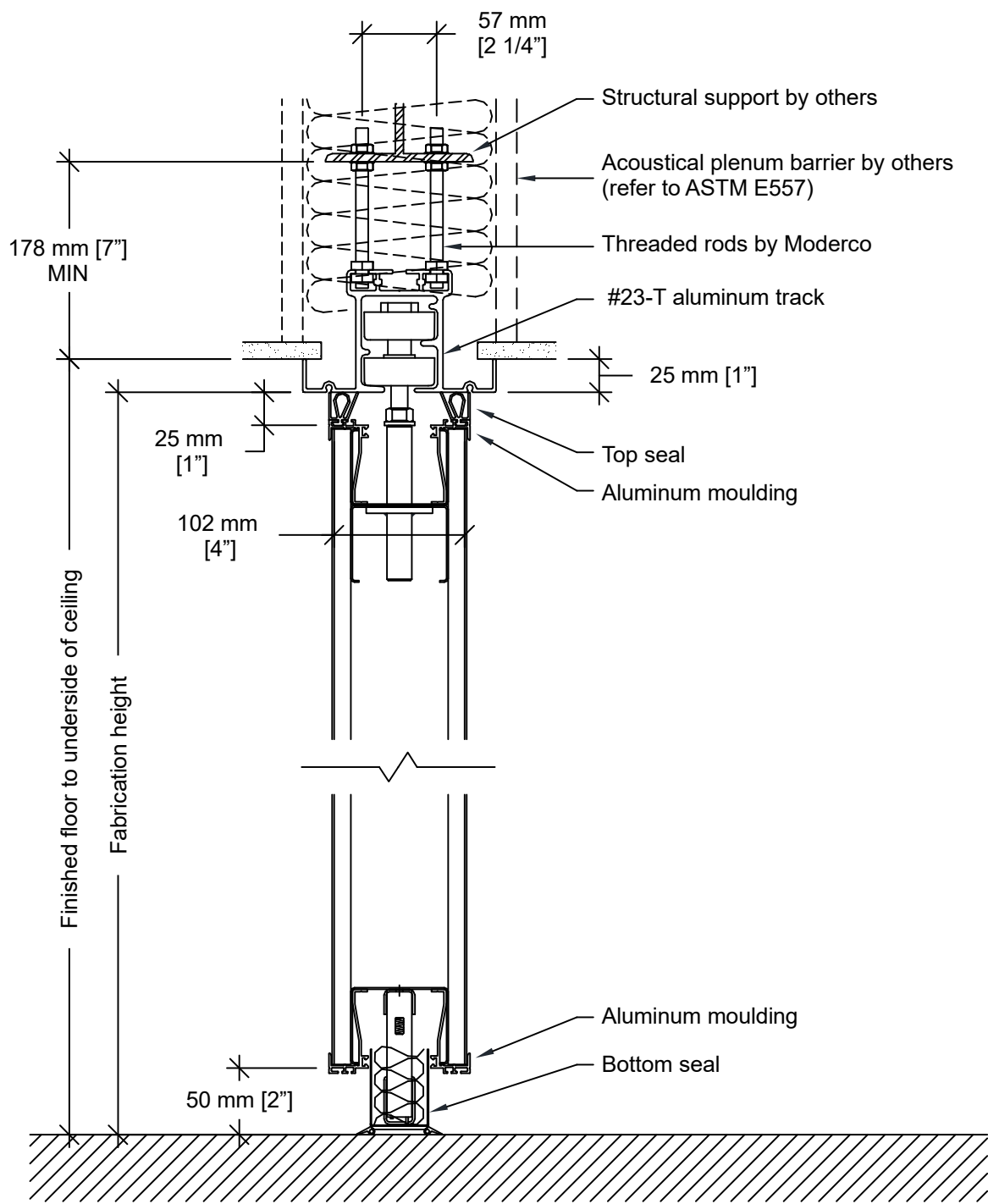
(* An exit sign and a deadbolt lock will not be installed together on the same door.)
- Surface-mounted white marker boards.
- Surface-mounted chalk boards.
- Surface-mounted natural cork tack boards.
- Eraser boxes.
- Acoustical or non-acoustical pocket door.

Horizontal Seals

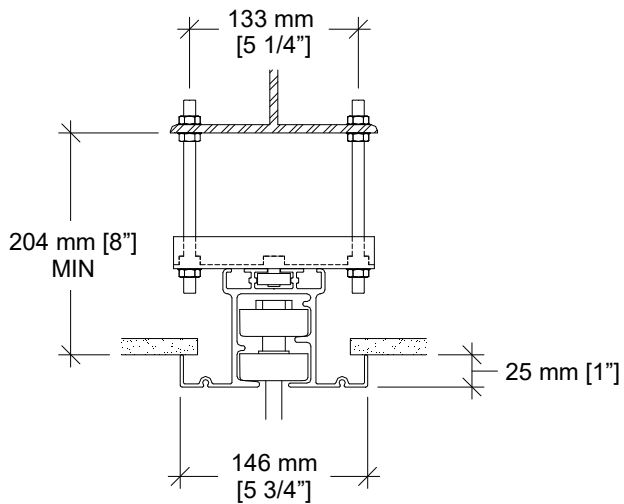


Type FA
 Floor clearance : 50 mm [2"]
 Operating tolerances :
 +0 mm / -38 mm [+0" / -1 1/2"]

Vertical Section

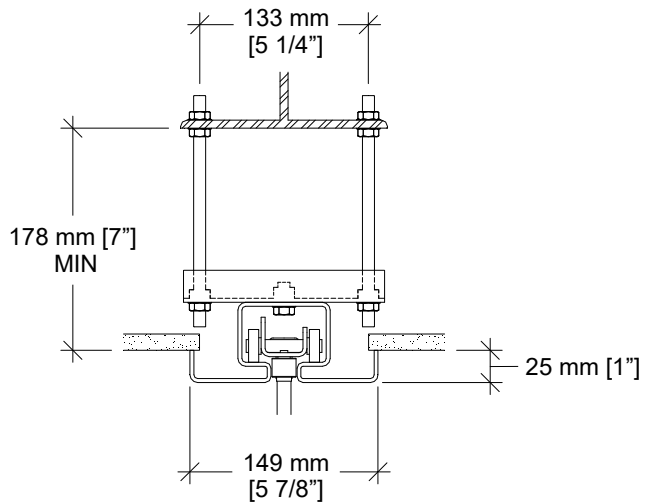


Track Options



#23-T track with optional hanger bracket

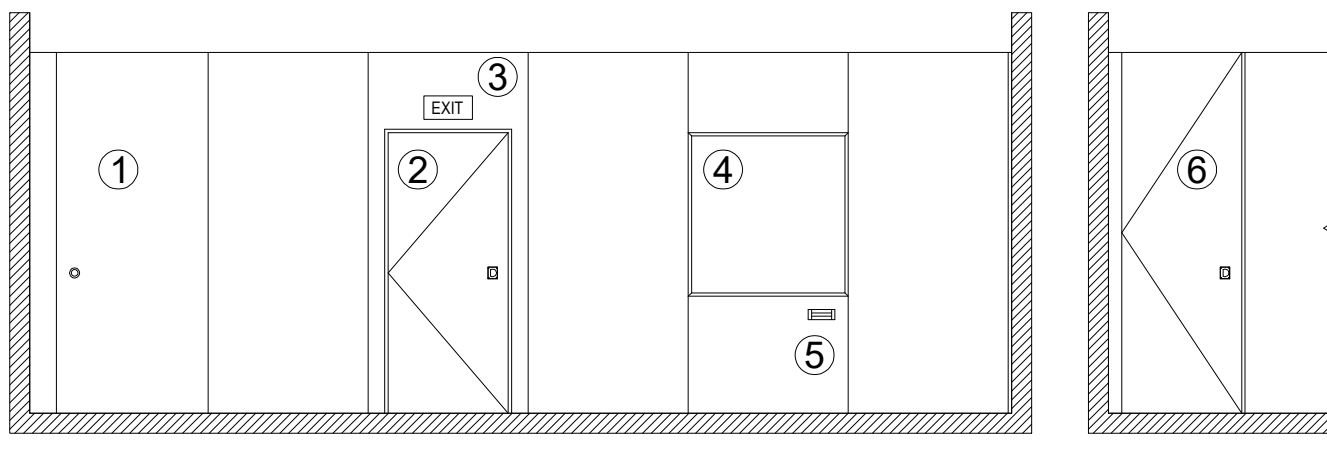
Hanger bracket required for installations where the topmost nuts cannot be used for adjustment.



Optional #72 steel track with hanger bracket

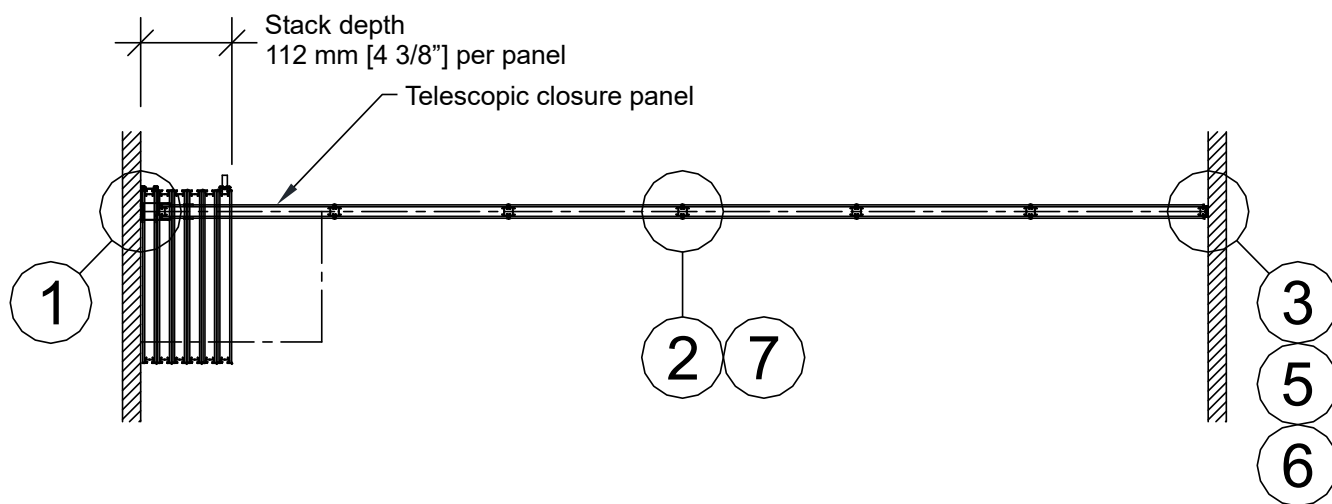
Programmable switches

Elevation

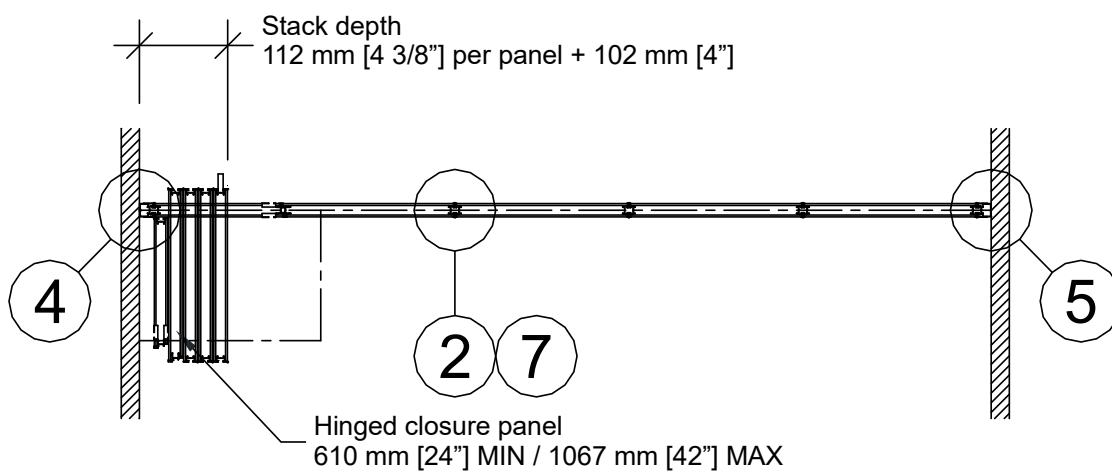


- | | |
|-------------------------------|-------------------------|
| 1- Telescopic closure panel | 4- Work surface |
| 2- Single pass door | 5- Eraser box |
| 3- Self-illuminated exit sign | 6- Hinged closure panel |

Plan Views

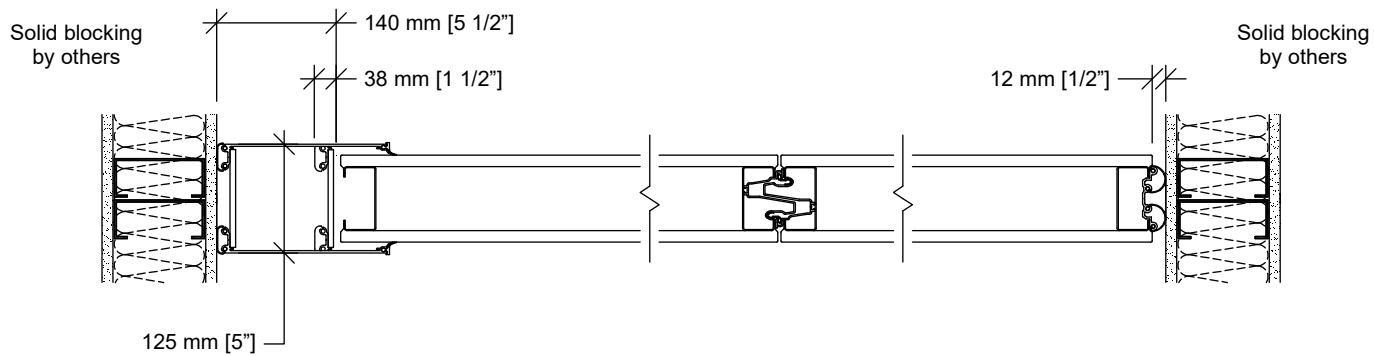


Telescopic closure panel



Hinged closure panel

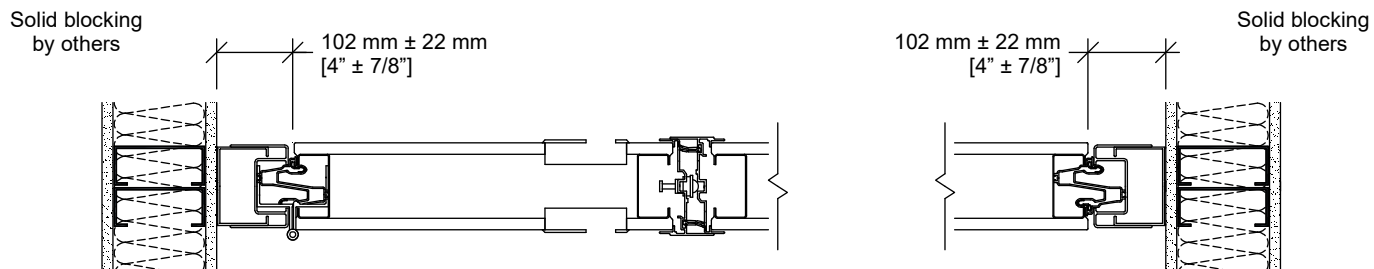
Horizontal Sections



1 Telescopic closure

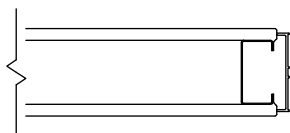
2 Panel joint

3 Bulb seal

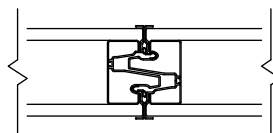


4 Hinged closure panel with recessed pulls and roller latch (optional)

5 Wall jamb (optional)

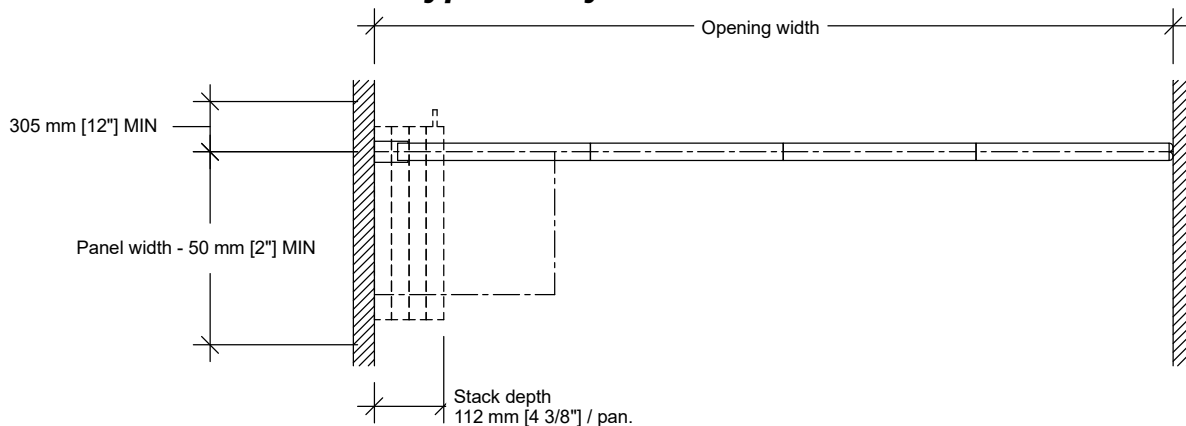


6 End cap (optional)

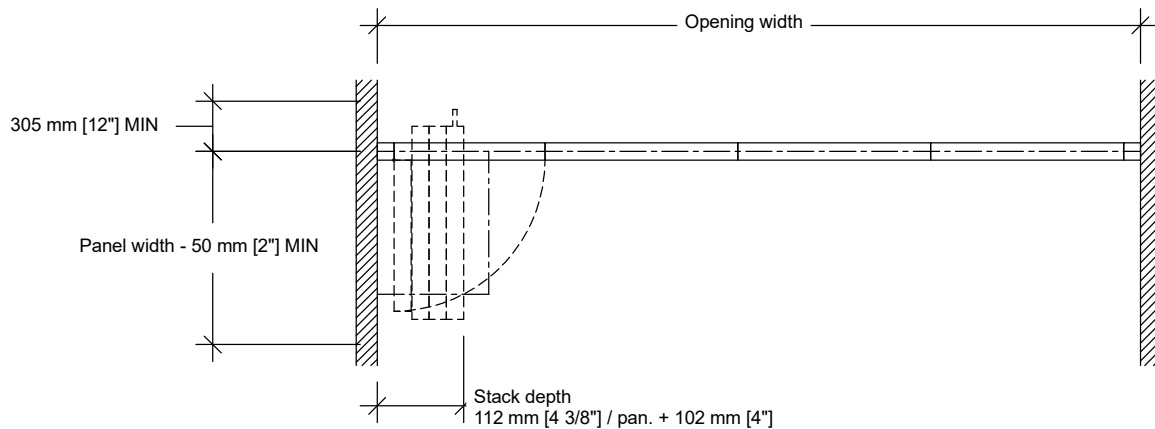


7 Panel joint with protective trims (optional)

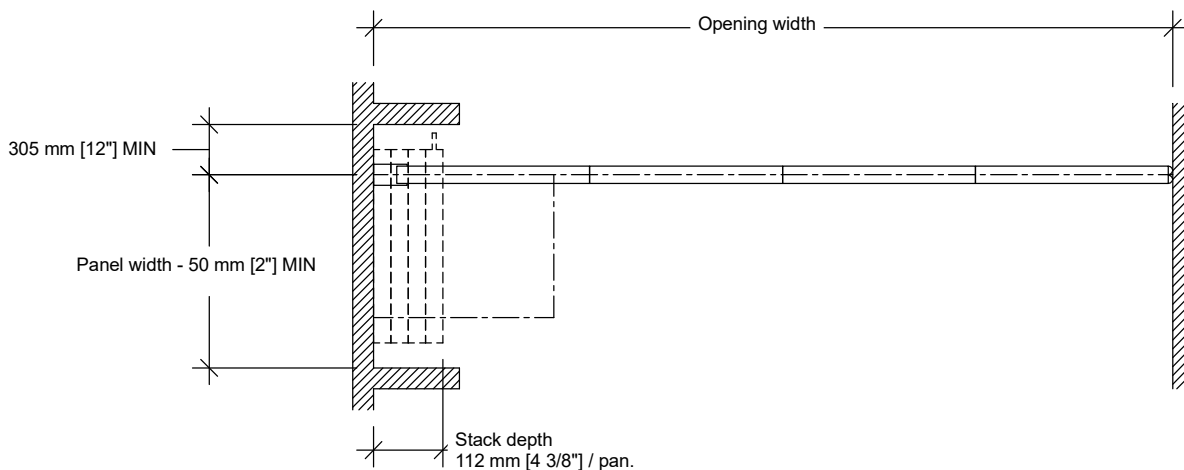
Typical Layouts - #23-T Track



Wall to wall Side Stack – telescopic closure

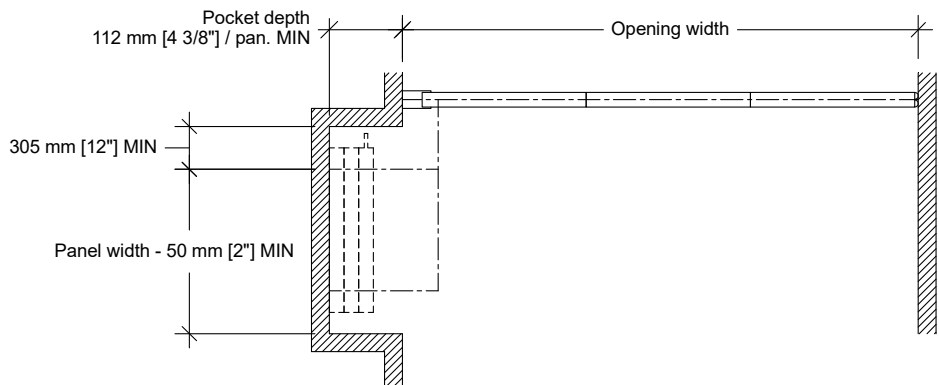


Wall to wall Side Stack – hinged closure

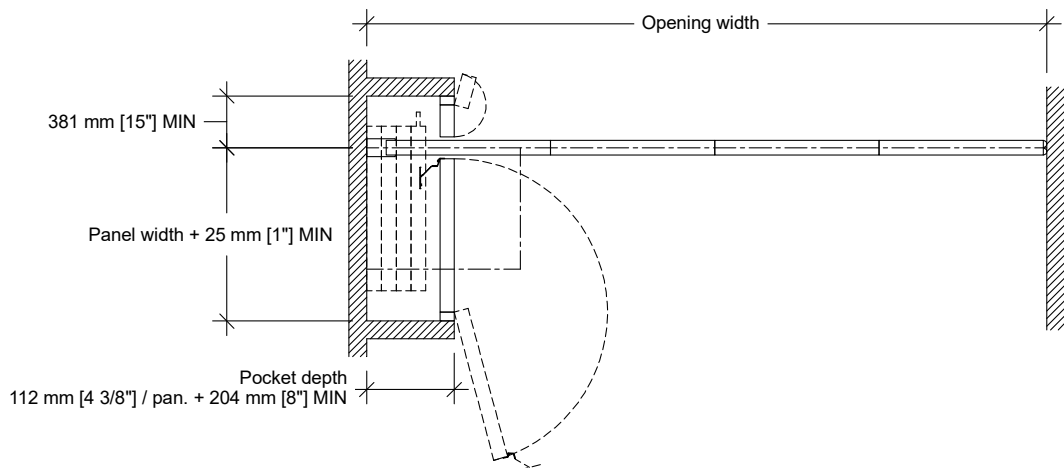


Pocket

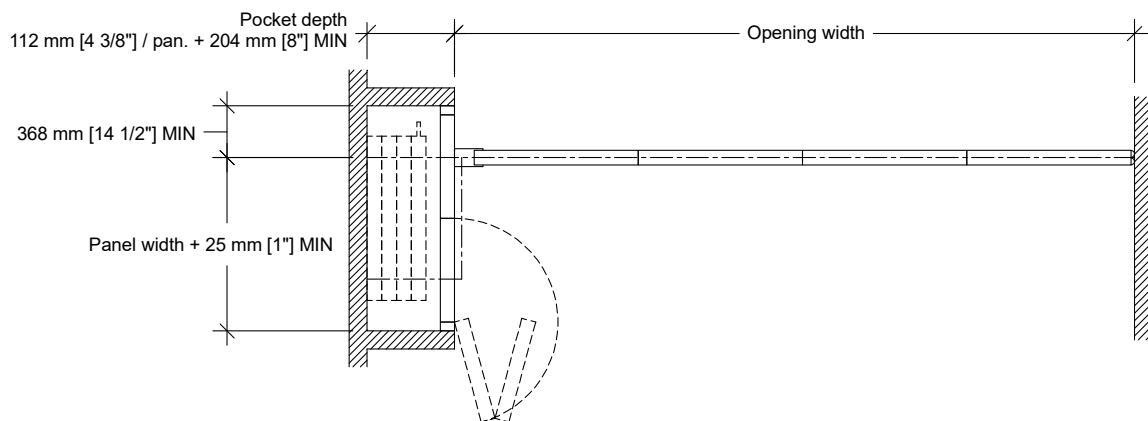
Typical Layouts - #23-T Track (cont'd)



Remote Stack

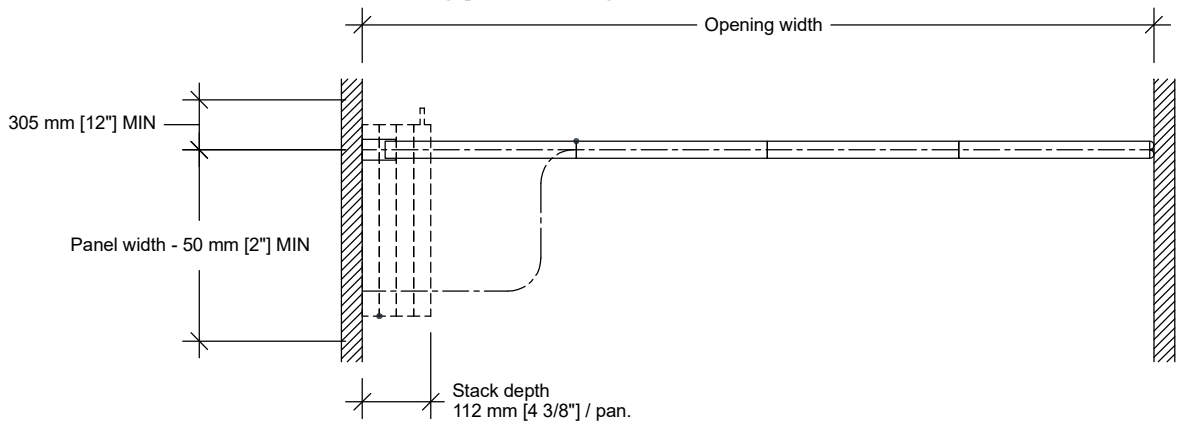


**Pocket and PN-73 non-acoustical pocket door
(partition seals to back of pocket)**

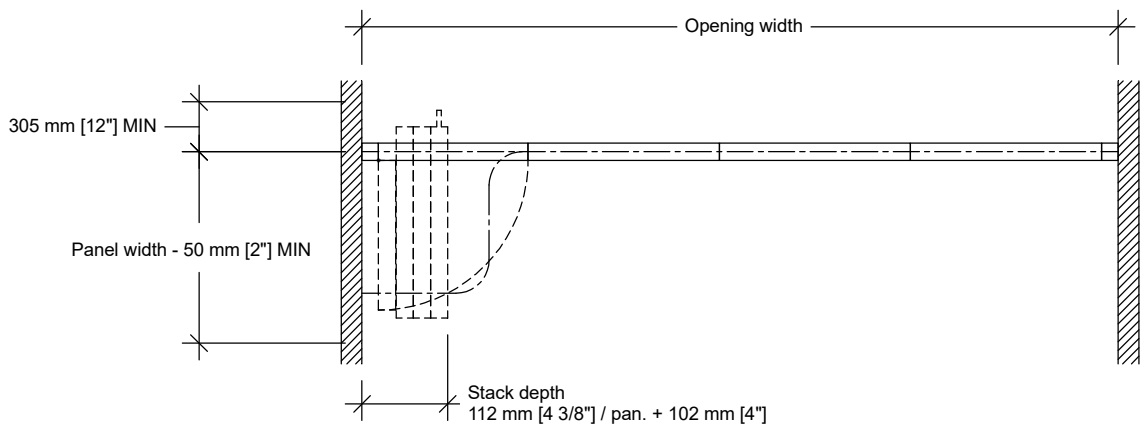


**Pocket and PA-72B acoustical pocket door
(partition seals to face of pocket door)**

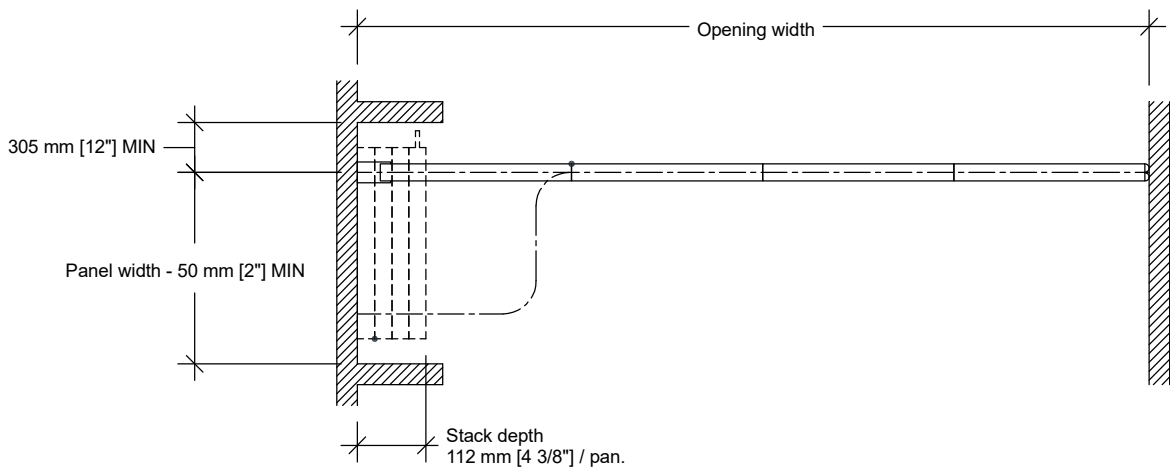
Typical Layouts - #72 Track



Side Stack – bi-folding telescopic closure

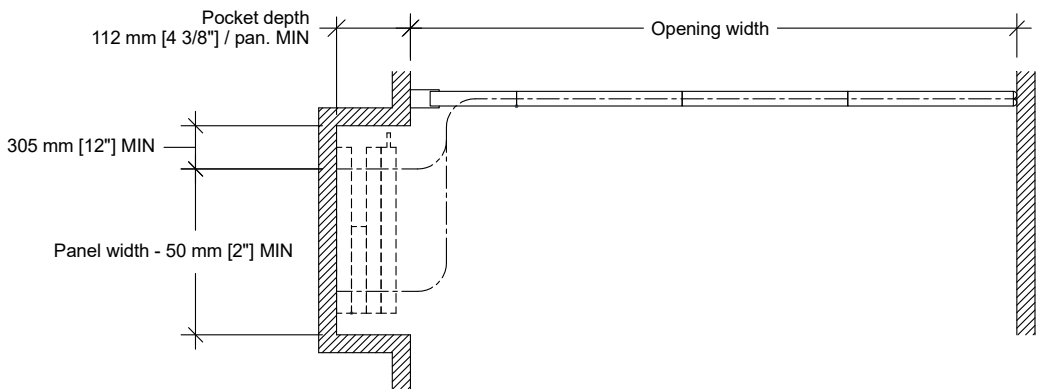


Side Stack – hinged closure (7 panels max)

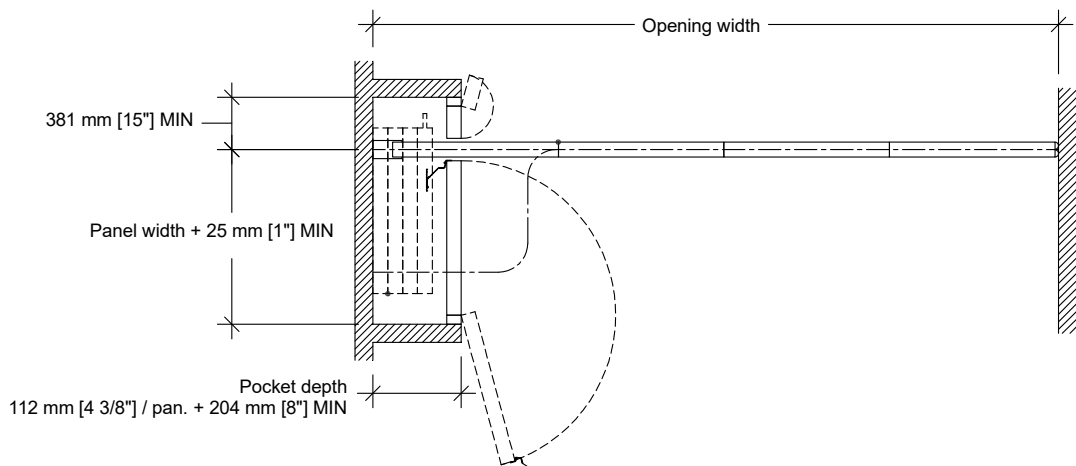


Pocket

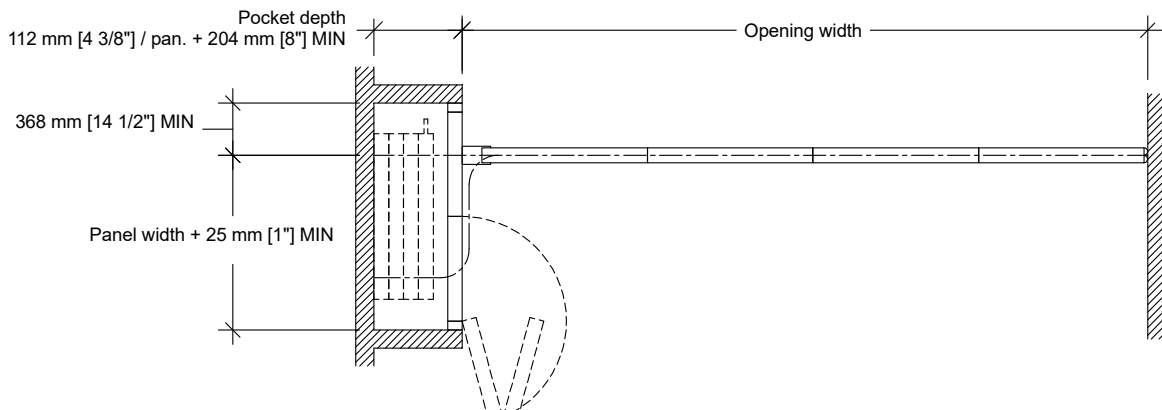
Typical Layouts - #72 Track (cont'd)



Remote Stack



**Pocket and PN-73 non-acoustical pocket door
(partition seals to back of pocket)**



**Pocket and PA-72B acoustical pocket door
(partition seals to face of pocket door)**