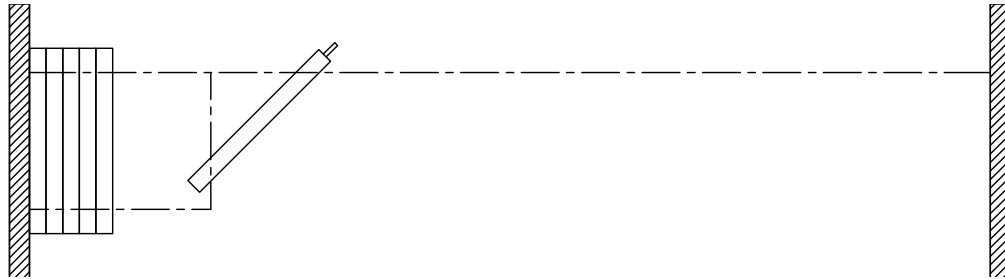




**MODERCO**

Excel 700 Series

## Technical Data Sheet Excel 741



### Features & Options

#### **Standard Features**

- Manually-operated individual-panel movable partition.
- STC 43, 48, 50, or 54.
- Steel faces laminated to gypsum board.
- 102 mm [4"] nominal thickness. 1230 mm [48 1/2"] maximum width.
- 18 ga. welded steel frame.
- Trimless vertical edges.
- Combination aluminum and vinyl tongue and groove vertical sound seals between panels.
- Final closure by telescopic jamb.
- Type FA horizontal seals :
  - Fixed top sweeps
  - Automatic retractable bottom seals set as panels are deployed
  - bottom seals provide a 50 mm [2"] floor clearance
- Clear-anodized 6063-T6 alloy aluminum track.

- Each panel supported by two carriers made up of two horizontally-aligned precision-ground hardened steel ball bearing wheels with nylon tires.
- Vinyl wallcovering.
- Maximum height: 4953 mm [16'-3"].

#### **Optional Features and Accessories**

- STC 43 with gypsum board faces.
- Protective trims on entire perimeter.
- Powder-coated frame and/or track.
- 11 ga. steel track, painted white.
- Upgraded wallcoverings : fabric, vertically-ribbed carpet, or full-height marker board.
- Owner-supplied wallcovering (approval required).
- Final closure by hinged closure panel.
- ADA-compliant pass door with flush pulls and roller latch.

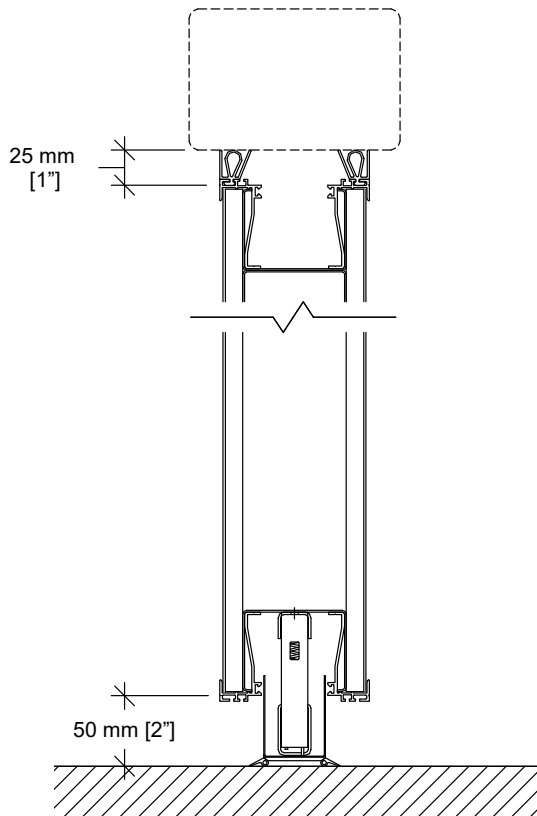
**Optional Features and Accessories (cont'd)**

- Door options:
  - concealed automatic closer
  - window frame
  - door viewer
  - panic bar
  - panic bar with lockable lever
  - self-luminescent exit sign with red (standard) or green (optional) faceplate \*
  - “running man” self-luminescent exit sign with green faceplate \*
  - deadbolt lock \*

*(\* An exit sign and a deadbolt lock will not be installed together on the same door.)*

- Surface-mounted white marker boards.
- Surface-mounted chalk boards.
- Surface-mounted natural cork tack boards.
- Eraser boxes.
- Acoustical or non-acoustical pocket door.

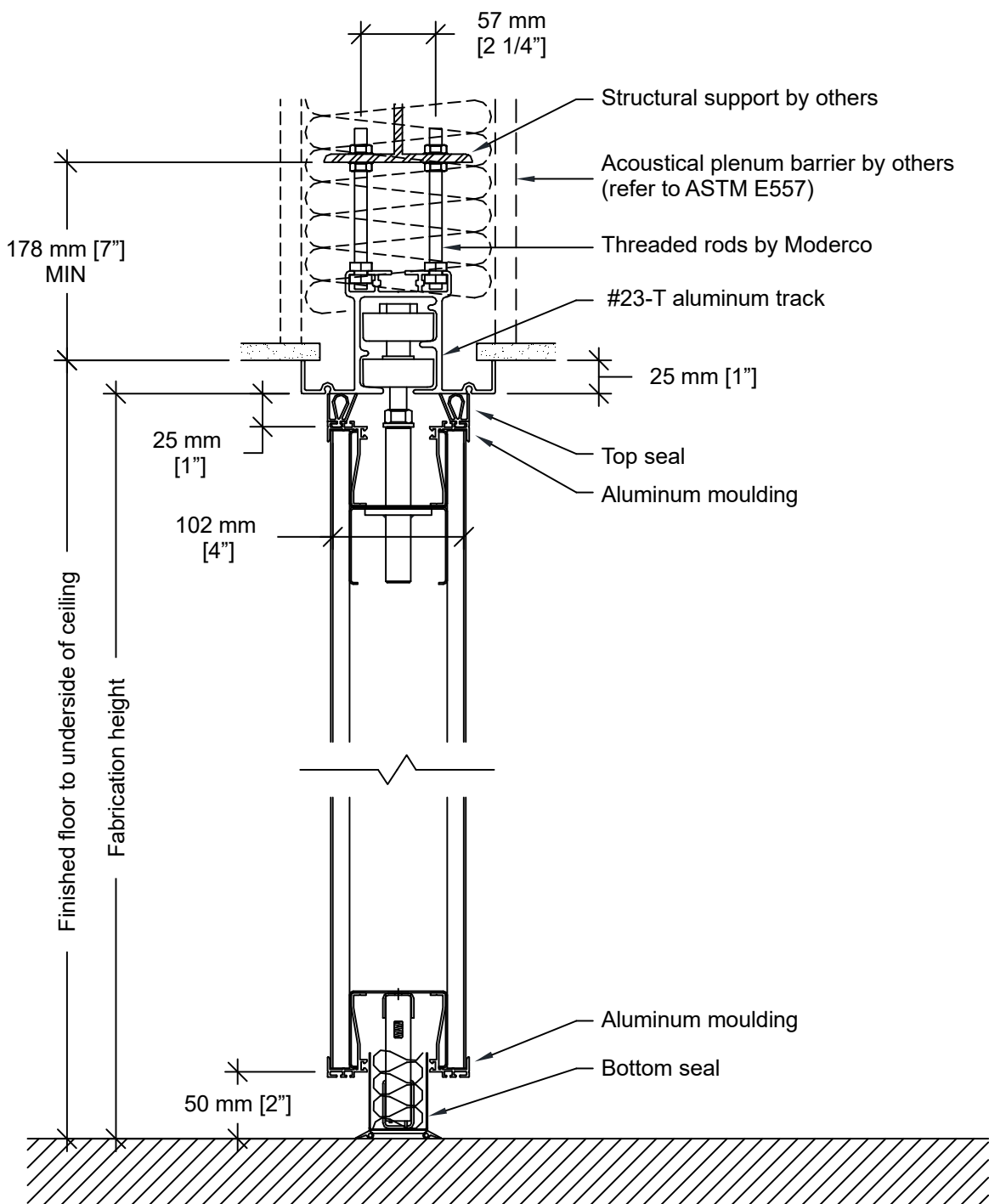
**Horizontal Seals**



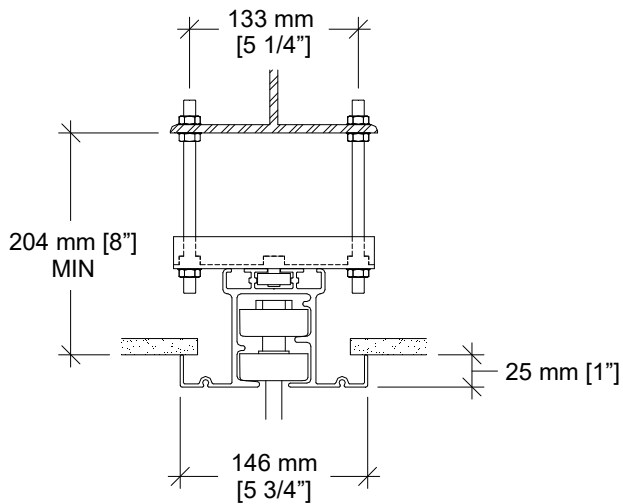
**Type FA**

Floor clearance : 50 mm [2"]  
 Operating tolerances :  
 +0 mm / -38 mm [+0" / -1 1/2"]

### Vertical Section

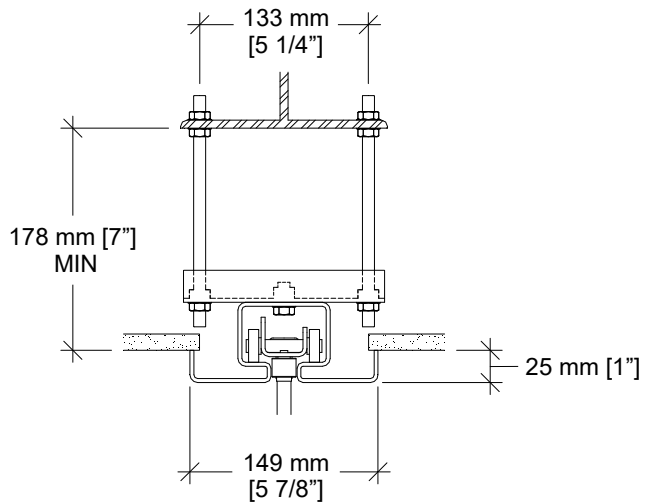


### Track Options



**#23-T track with optional hanger bracket**

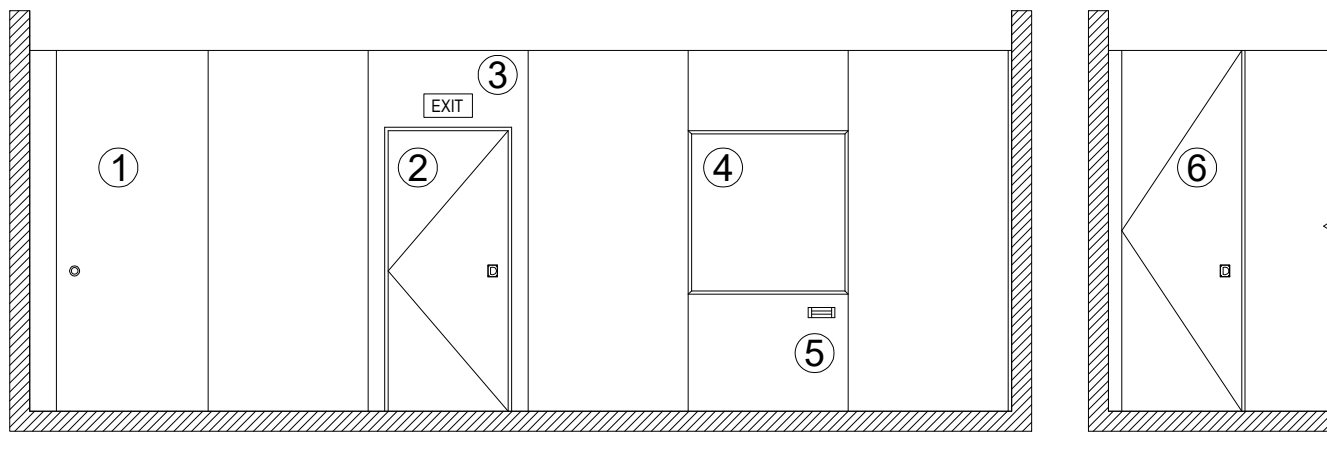
Hanger bracket required for installations where the topmost nuts cannot be used for adjustment.



**Optional #72 steel track with hanger bracket**

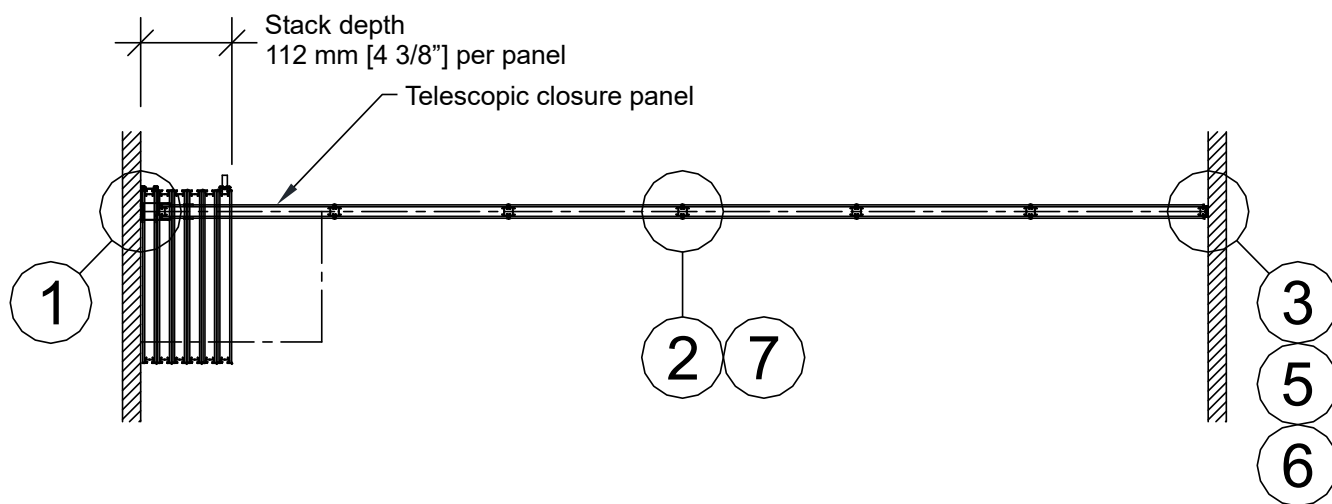
Programmable switches

### Elevation

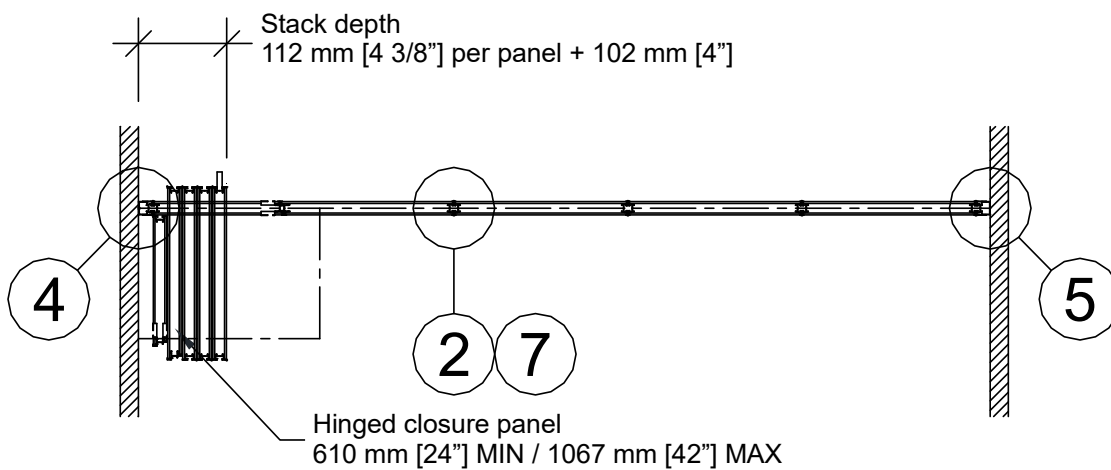


- |                               |                         |
|-------------------------------|-------------------------|
| 1- Telescopic closure panel   | 4- Work surface         |
| 2- Single pass door           | 5- Eraser box           |
| 3- Self-illuminated exit sign | 6- Hinged closure panel |

**Plan Views**

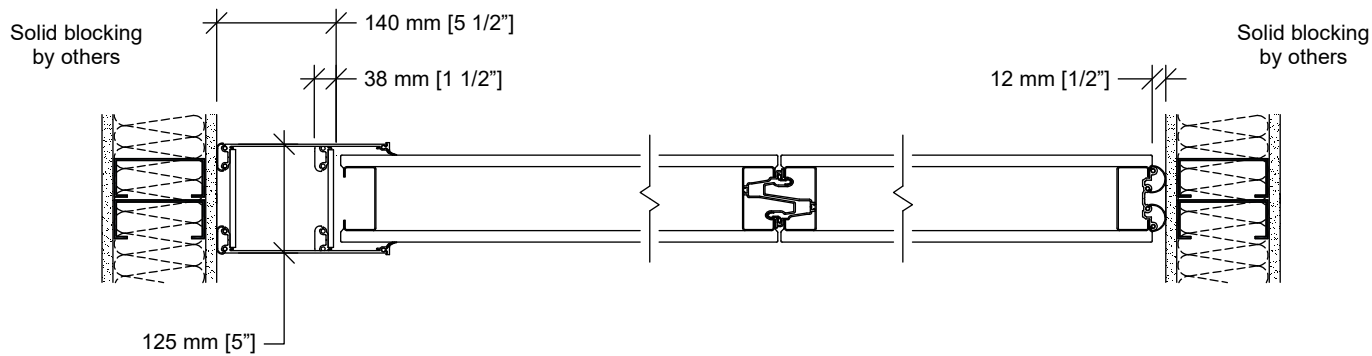


**Telescopic closure panel**



**Hinged closure panel**

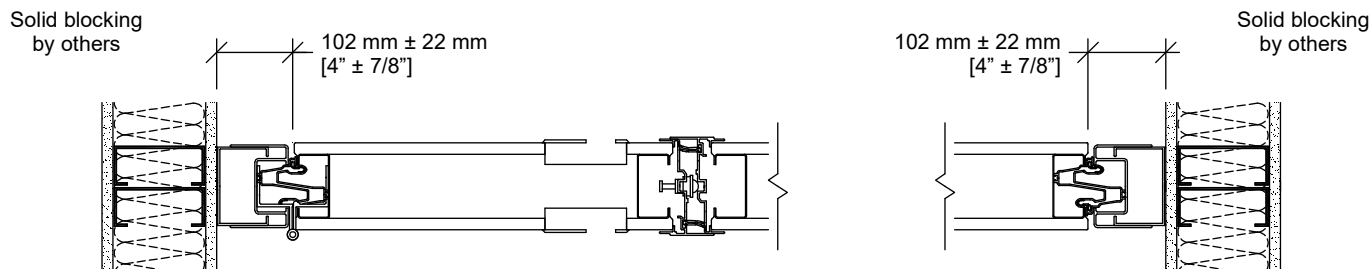
## Horizontal Sections



1 Telescopic closure

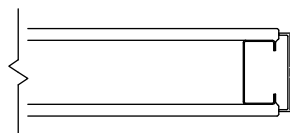
2 Panel joint

3 Bulb seal

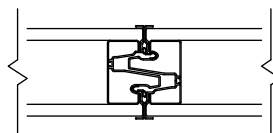


4 Hinged closure panel with recessed pulls and roller latch (optional)

5 Wall jamb (optional)

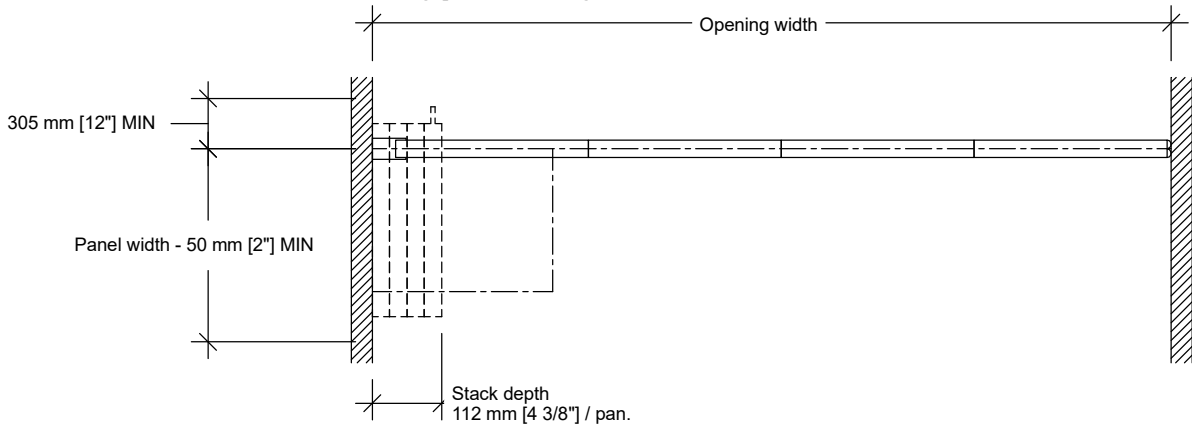


6 End cap (optional)

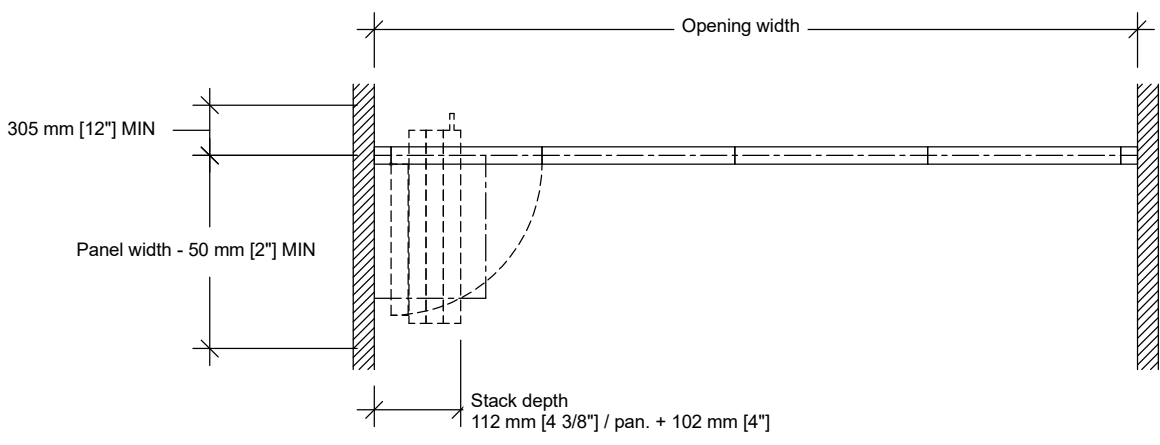


7 Panel joint with protective trims (optional)

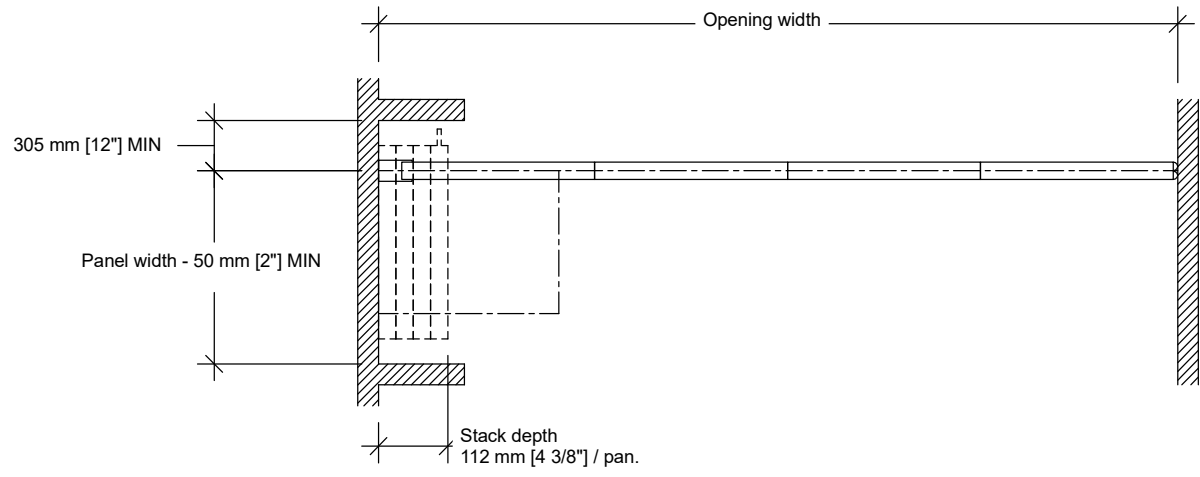
### Typical Layouts - #23-T Track



### Wall to wall Side Stack – telescopic closure

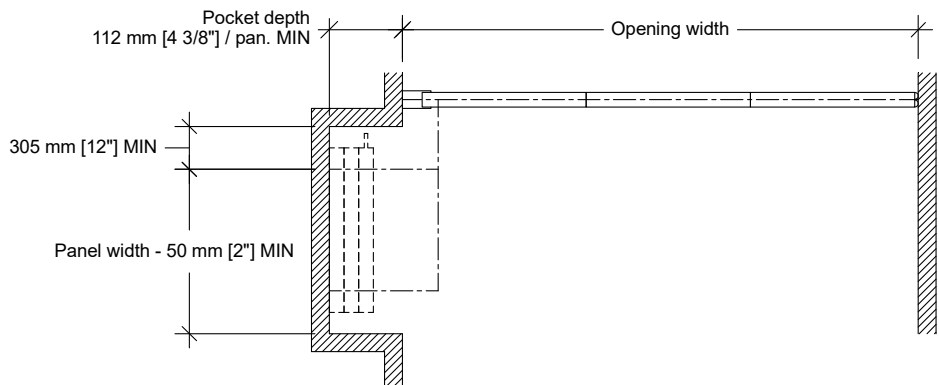


### Wall to wall Side Stack – hinged closure

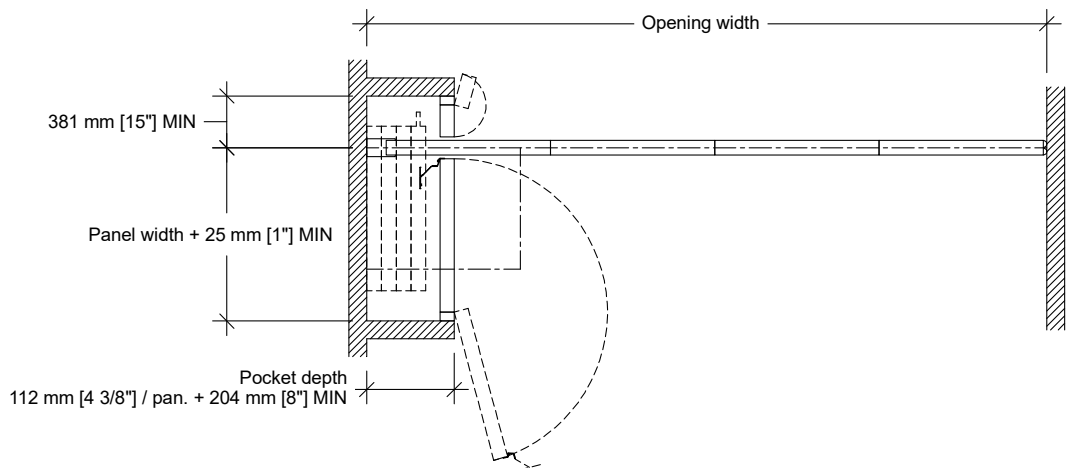


### Pocket

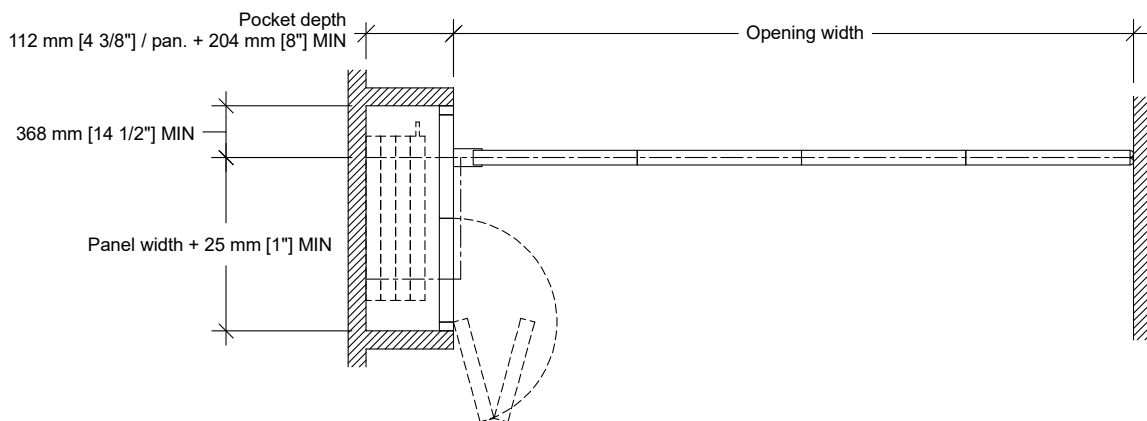
**Typical Layouts - #23-T Track (cont'd)**



**Remote Stack**



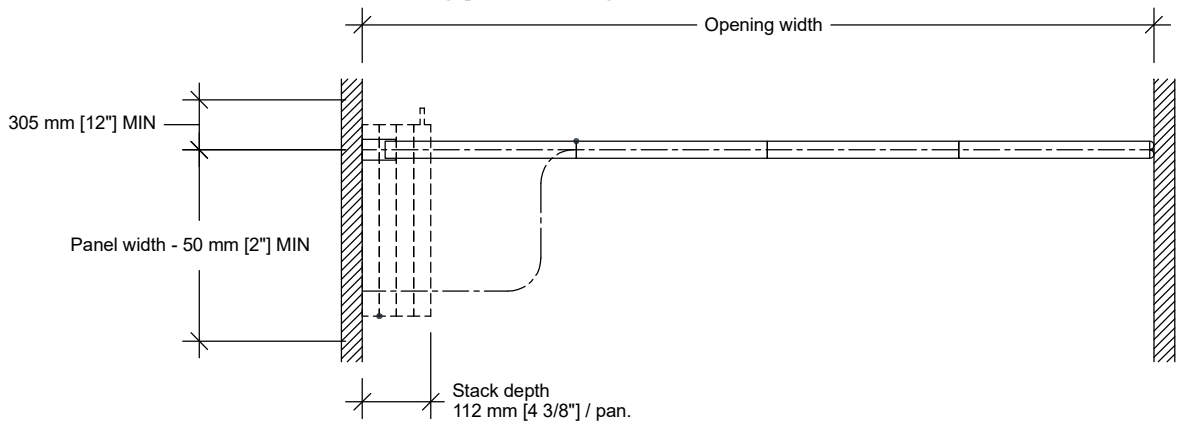
**Pocket and PN-73 non-acoustical pocket door  
(partition seals to back of pocket)**



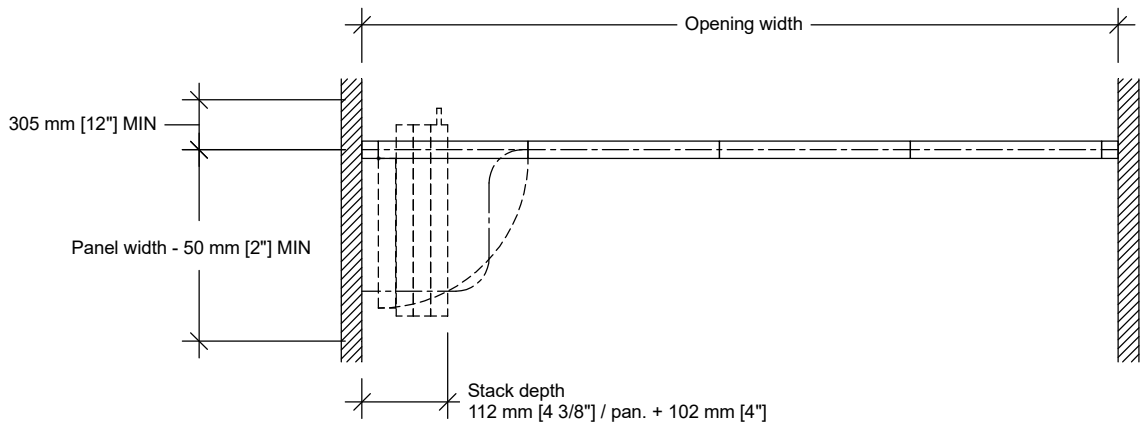
**Pocket and PA-72B acoustical pocket door  
(partition seals to face of pocket door)**



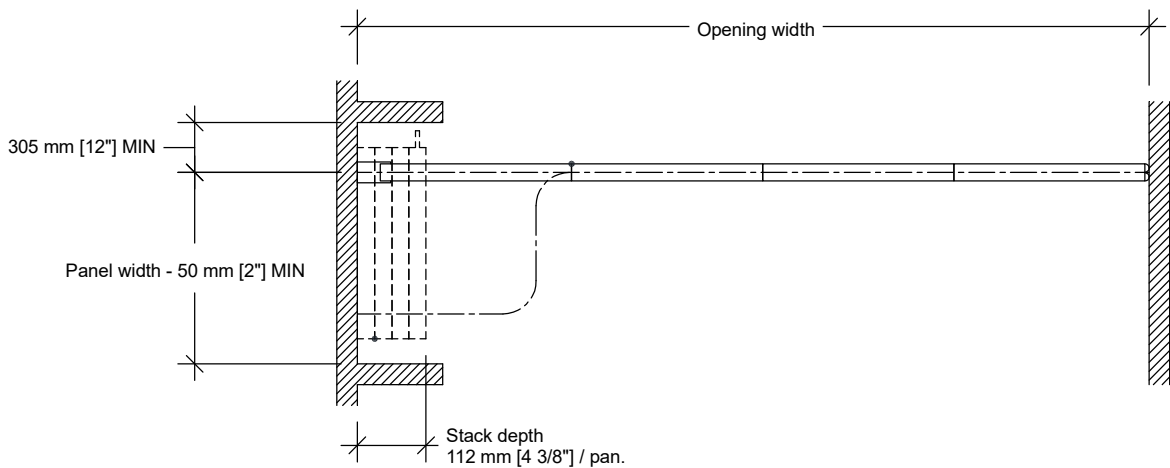
### Typical Layouts - #72 Track



**Side Stack – bi-folding telescopic closure**

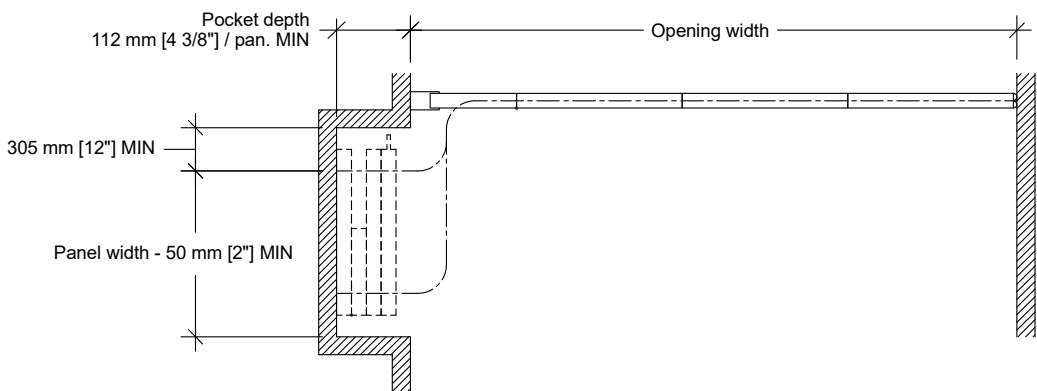


**Side Stack – hinged closure (7 panels max)**

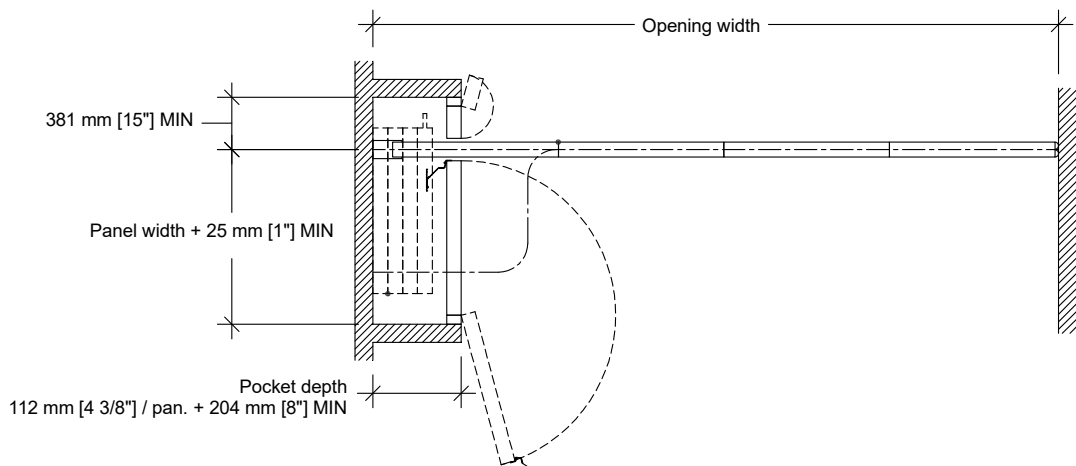


**Pocket**

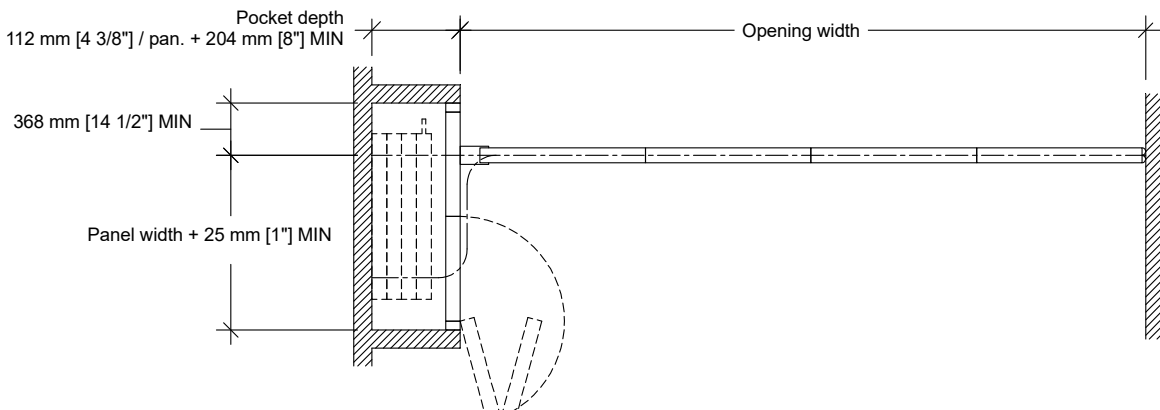
**Typical Layouts - #72 Track (cont'd)**



**Remote Stack**



**Pocket and PN-73 non-acoustical pocket door  
(partition seals to back of pocket)**



**Pocket and PA-72B acoustical pocket door  
(partition seals to face of pocket door)**