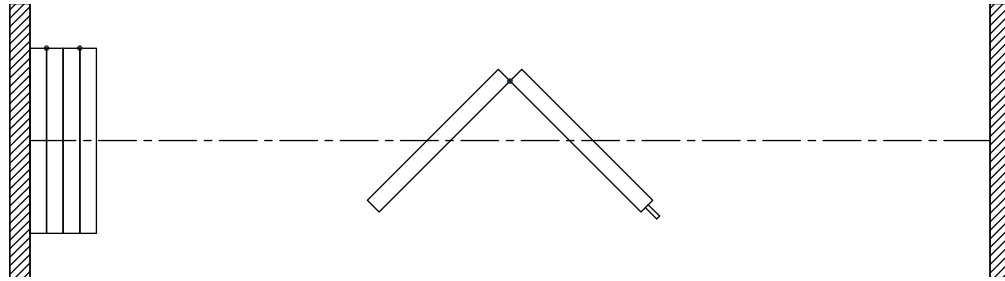




**MODERCO**

Excel 700 Series

## Technical Data Sheet Excel 742



### Features & Options

#### **Standard Features**

- Manually-operated paired-panel movable partition.
- STC 43, 48, 50, or 54.
- Steel faces laminated to gypsum board.
- 102 mm [4"] nominal thickness. 1230 mm [48 1/2"] maximum width.
- 18 ga. welded steel frame.
- Trimless vertical edges.
- Combination aluminum and vinyl tongue and groove vertical sound seals between panels.
- Final closure by telescopic jamb.
- Type FA horizontal seals :
  - Fixed top sweeps
  - Automatic retractable bottom seals set as panels are deployed
  - bottom seals provide a 50 mm [2"] floor clearance
- Steel butt hinges.

- Clear-anodized 6063-T6 alloy aluminum track.
- Each panel supported by one carrier made up of four vertically-aligned precision-ground hardened steel ball bearing wheels with nylon tires.

- Vinyl wallcovering.

- Maximum height: 4953 mm [16'-3"].

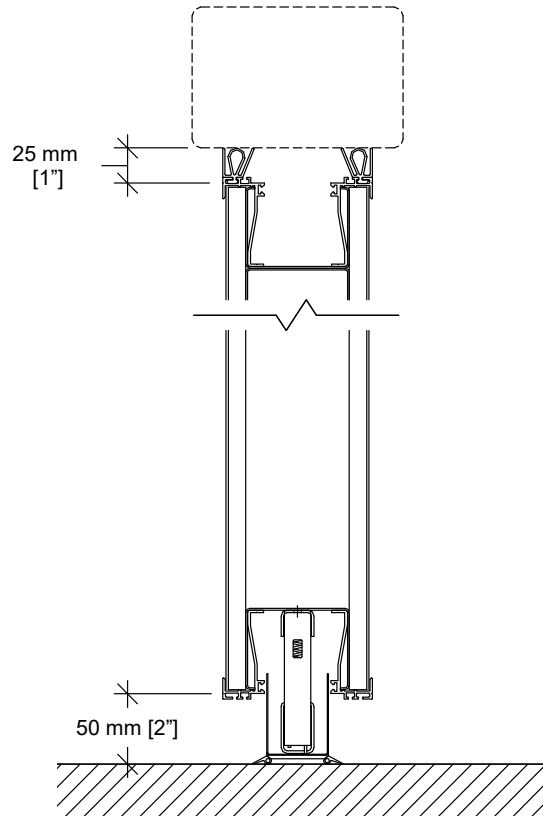
#### **Optional Features and Accessories**

- STC 43 with gypsum board faces.
- Protective trims on entire perimeter.
- Powder-coated frame and/or track.
- 11 ga. steel track, painted white.
- Upgraded wallcoverings : fabric, vertically-ribbed carpet, or full-height marker board.
- Owner-supplied wallcovering (approval required).
- Final closure by hinged closure panel.

**Optional Features and Accessories (cont'd)**

- ADA-compliant pass door with flush pulls and roller latch.
- Door options:
  - concealed automatic closer
  - window frame
  - door viewer
  - panic bar
  - panic bar with lockable lever
  - self-illuminated exit sign \*
  - "green running man" self-illuminated exit sign \*
  - deadbolt lock \*
 (\* An exit sign and a deadbolt lock will not be installed together on the same door.)
- Surface-mounted white marker boards.
- Surface-mounted chalk boards.
- Surface-mounted natural cork tack boards.
- Eraser boxes.
- Acoustical or non-acoustical pocket door.

**Horizontal Seals**



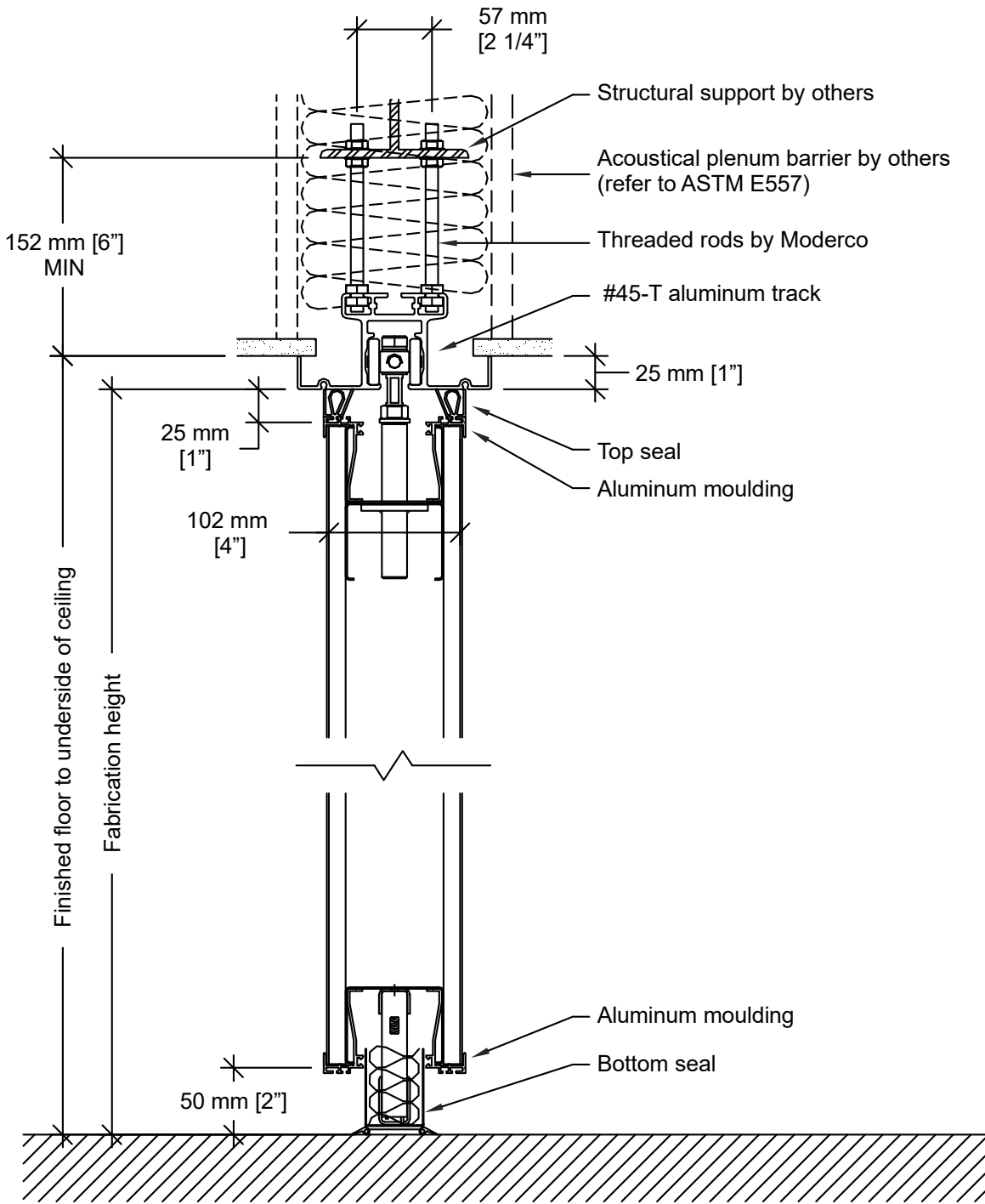
**Type FA**

Floor clearance : 50 mm [2"]

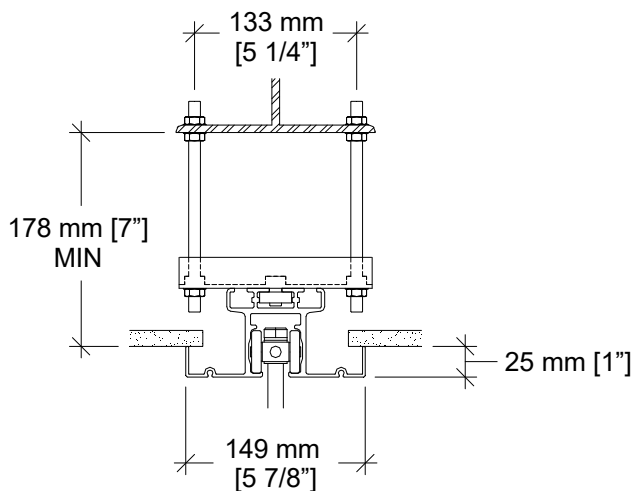
Operating tolerances :

+0 mm / -38 mm [+0" / -1 1/2"]

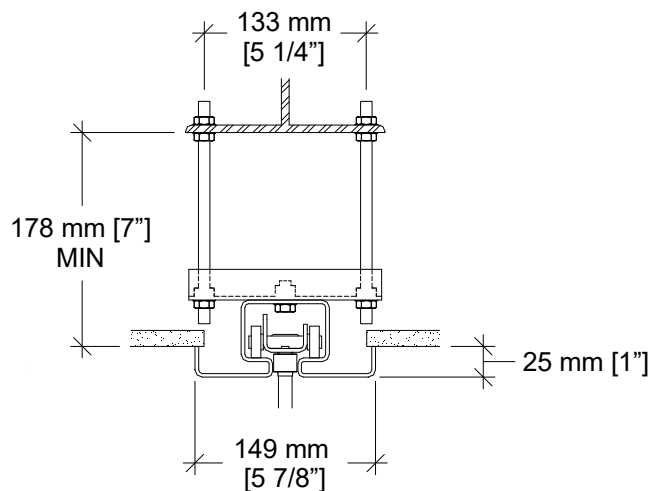
### Vertical Section



### Track Options



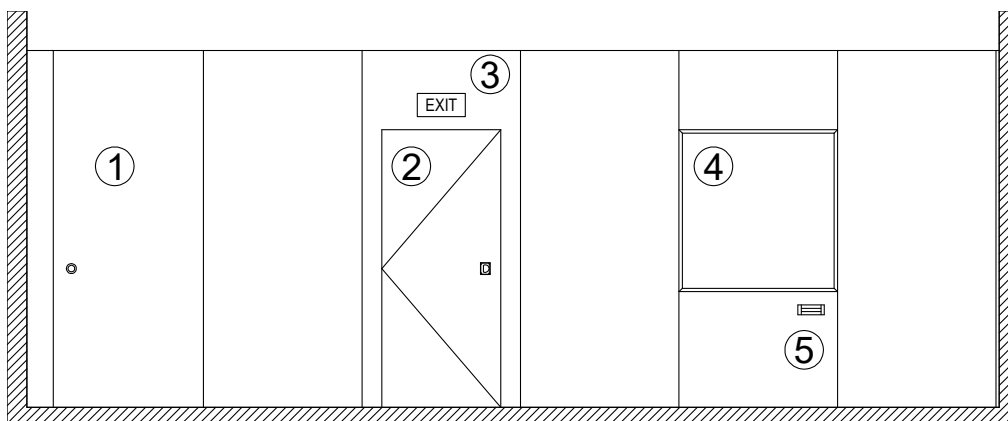
**#45-T track with optional hanger bracket**



**Optional #72 steel track with hanger bracket**

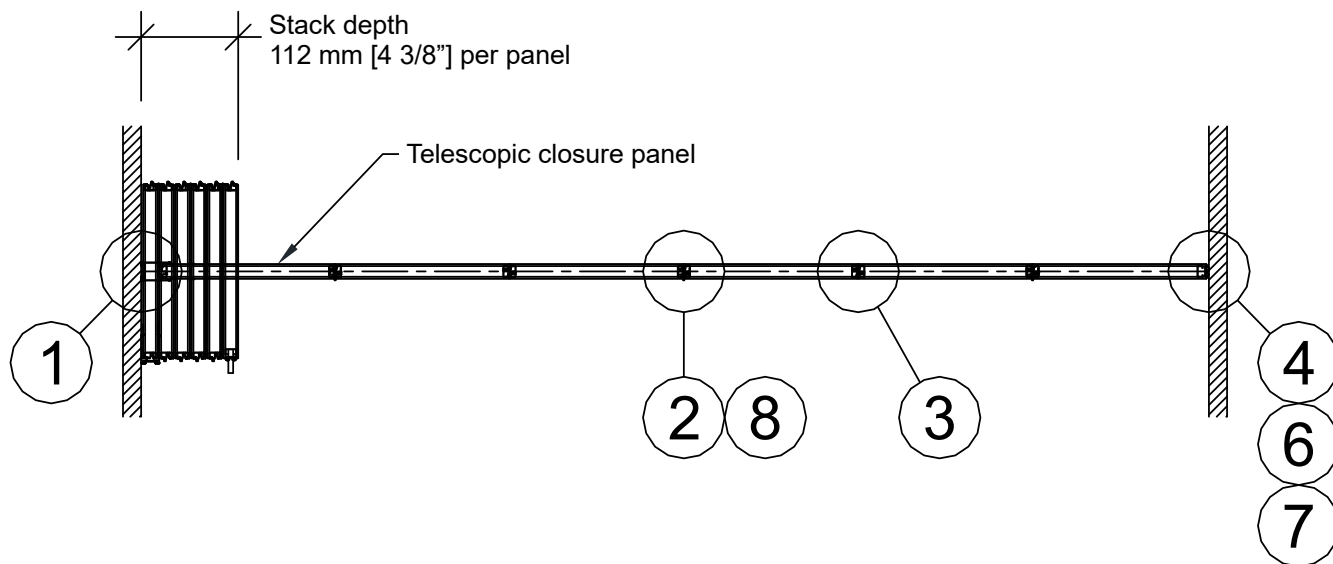
Hanger bracket required for installations where the topmost nuts cannot be used for adjustment.

### Elevation

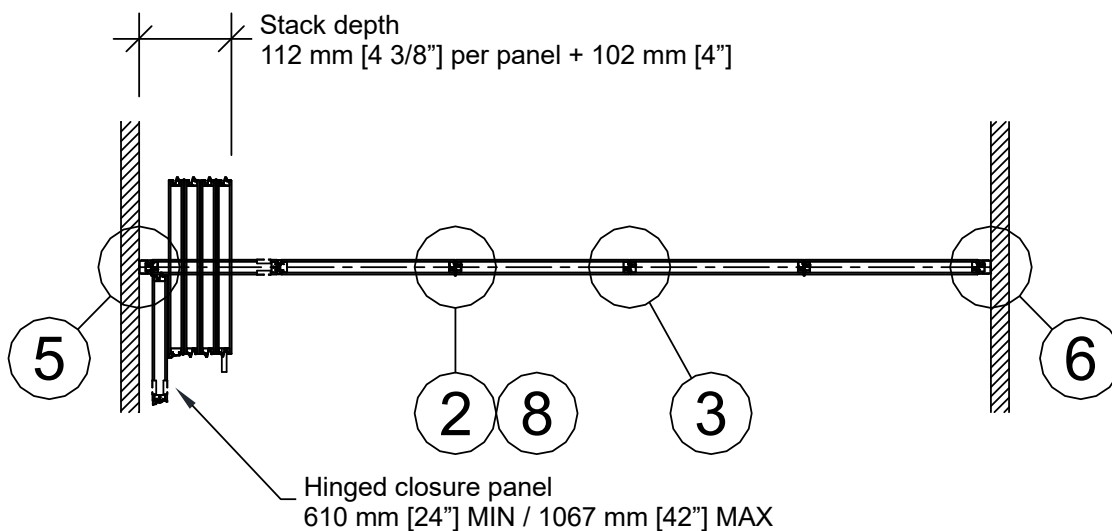


- |                               |                 |
|-------------------------------|-----------------|
| 1- Telescopic closure panel   | 4- Work surface |
| 2- Single pass door           | 5- Eraser box   |
| 3- Self-illuminated exit sign |                 |

**Plan Views**

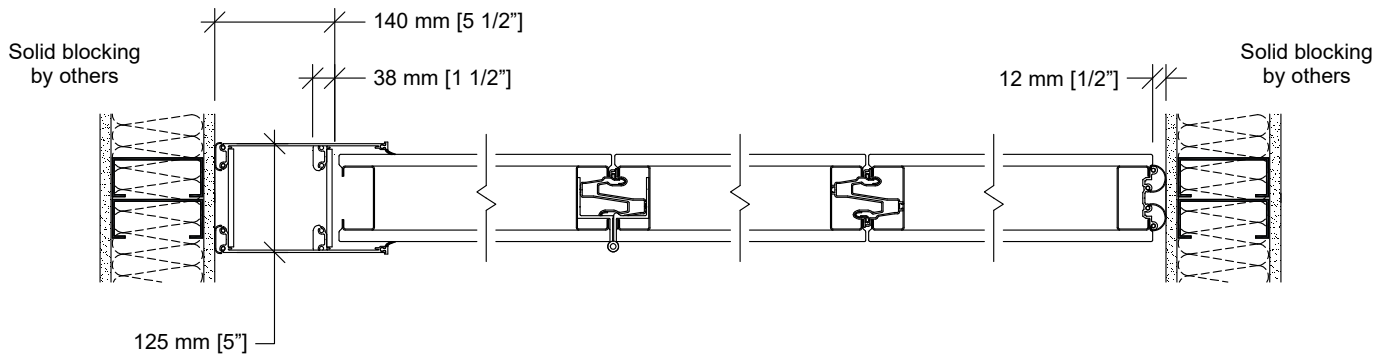


**Telescopic closure panel**

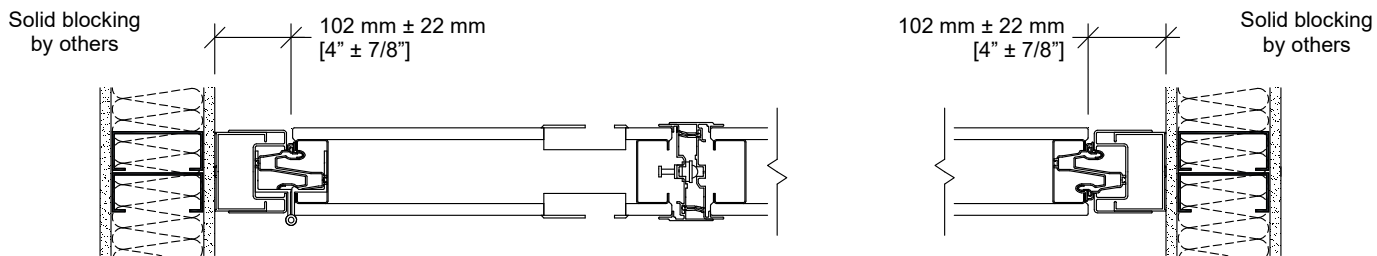


**Hinged closure panel**

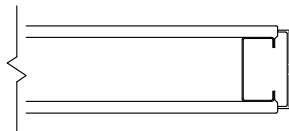
### Horizontal Sections



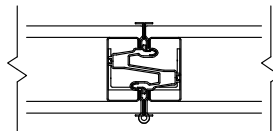
- ① Telescopic closure
- ② Hinged panel joint
- ③ Panel joint
- ④ Bulb seal



- ⑤ Hinged closure panel with recessed pulls and roller latch (optional)
- ⑥ Wall jamb (optional)

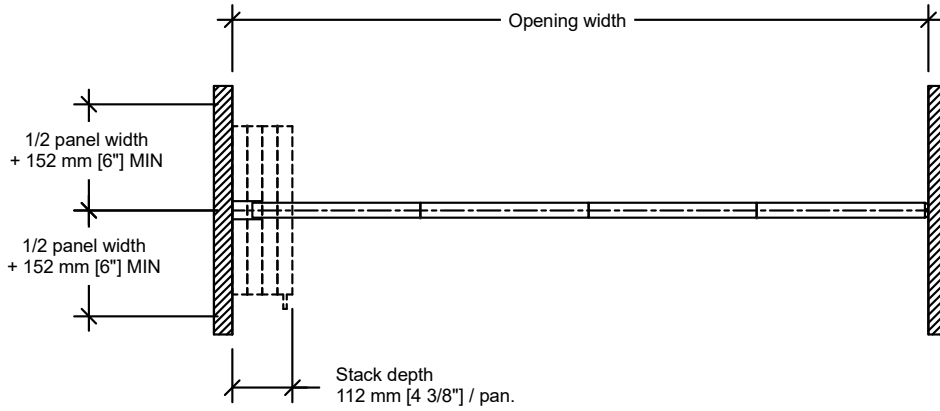


- ⑦ End cap (optional)

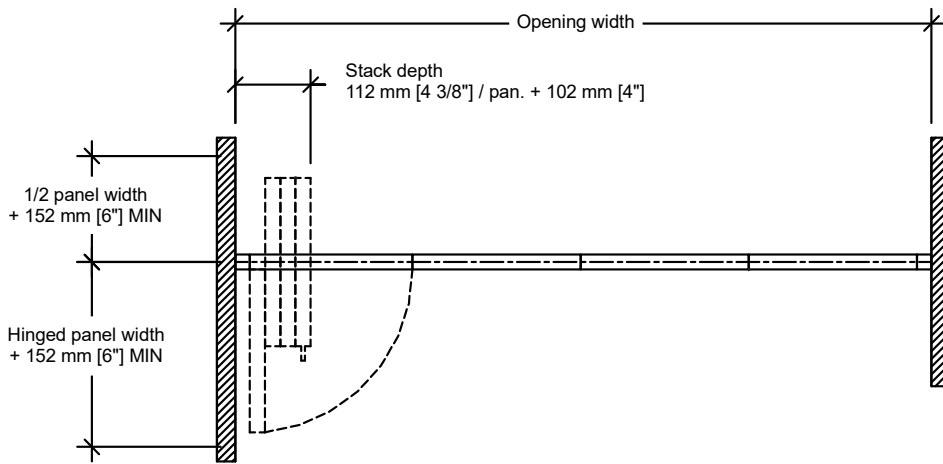


- ⑧ Panel joint with protective trims (optional)

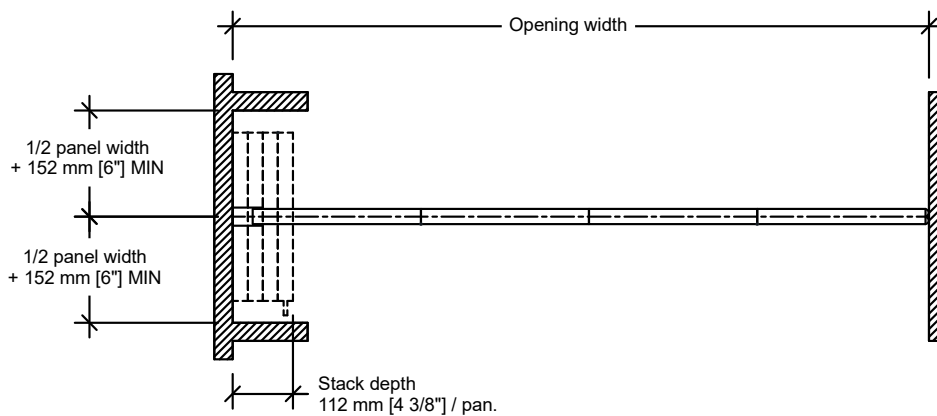
### Typical Layouts



**Wall to wall – telescopic closure**

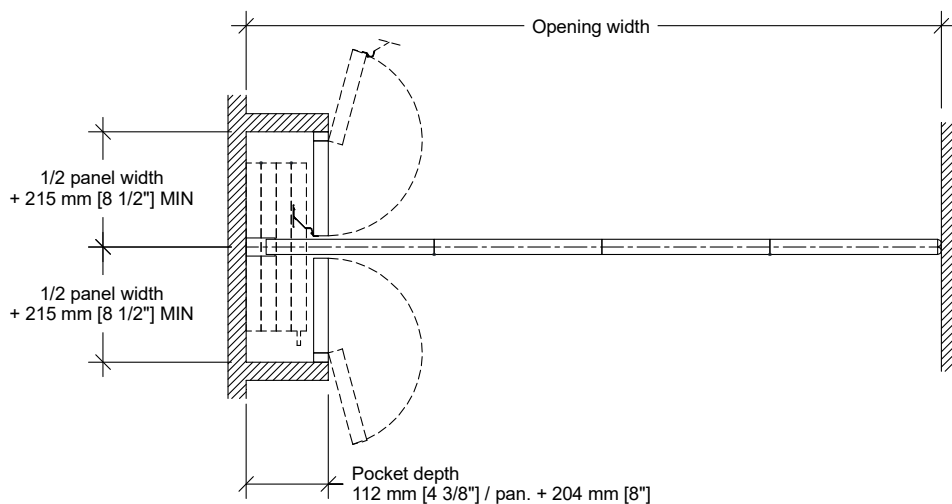


**Wall to wall – hinged closure**

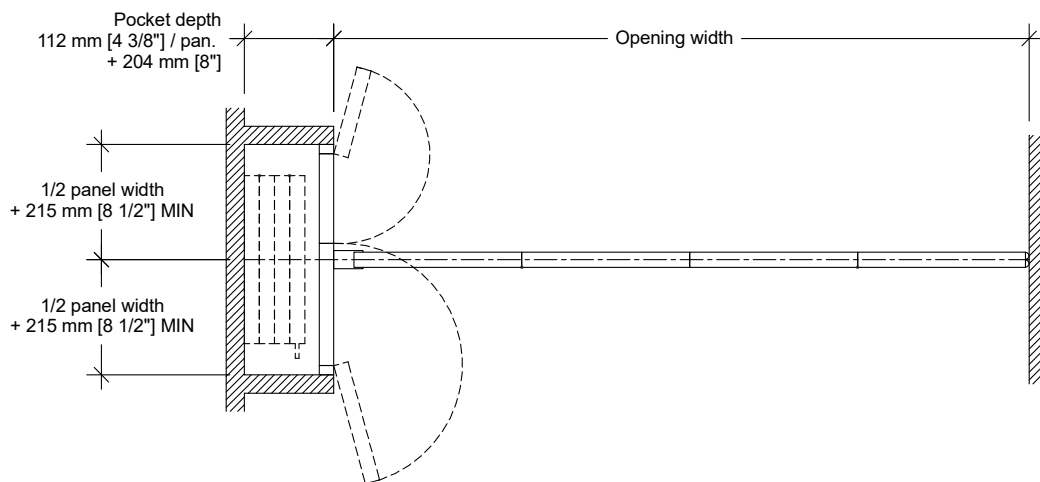


**Pocket**

**Typical Layouts (cont'd)**



**Pocket and PN-73 non-acoustical pocket door  
(partition seals to back of pocket)**



**Pocket and PA-72 acoustical pocket door  
(partition seals to face of pocket door)**