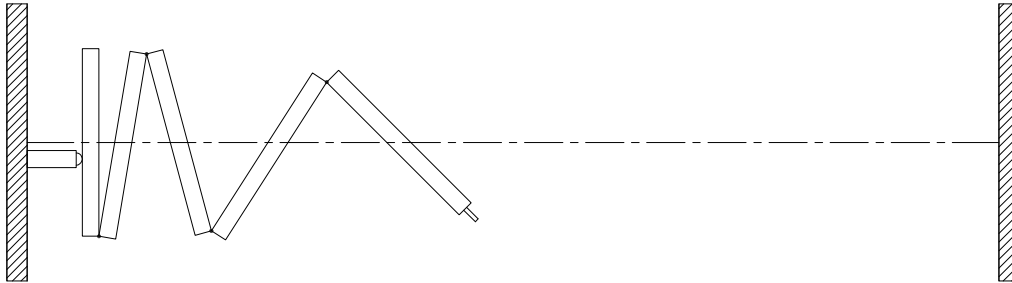




**MODERCO**

Excel 700 Series

## Technical Data Sheet Excel 743-E



### **Features & Options**

#### **Standard Features**

- Electrically-operated continuously-hinged movable partition.
- Driven by #35 roller chain.
- STC 43, 48, 50, or 54.
- Steel faces laminated to gypsum board.
- 102 mm [4"] nominal thickness. 1230 mm [48 1/2"] maximum width.
- 18 ga. welded steel frame.
- Trimless vertical edges.
- Combination aluminum and vinyl tongue and groove vertical sound seals between panels.
- Final closure by lateral wall jamb.
- Type FA horizontal seals :
  - Fixed top sweeps
  - Automatic retractable bottom seals set as panels are deployed
  - bottom seals provide a 50 mm [2"] floor clearance
- Steel butt hinges.
- Clear-anodized 6063-T6 alloy aluminum track.

- Odd-numbered panels supported by one 4-wheeled carrier with steel tires over hardened steel ball bearing wheels.
- Vinyl wallcovering.
- Maximum height: 4953 mm [16'-3"]  
Maximum length: 30480 mm [100'-0"]
- UL/ULC listed drive unit with NEMA-1 motor enclosure and controls and control enclosure conform to ANSI/NEMA ICS1, ICS 2 and ICS 6.
- 1.5 hp / 120 V / 1 ph / 60 Hz
- Travel controlled by limit switches.
- Operation by two simultaneously-activated key switches located on each side of the partition.
- Emergency release mechanism for manual operation during power outage.

#### **Optional Features and Accessories**

- Protective edge trims on the entire perimeter.
- Powder-coated protective trims and/or track.
- Upgraded wallcoverings : fabric, vertically-ribbed carpet, or full-height marker board.
- Owner-supplied wallcovering (approval required).

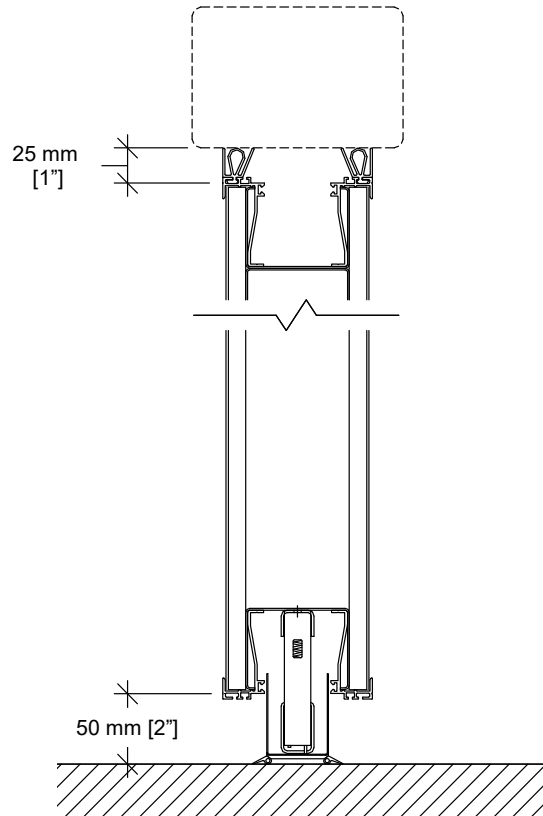
**Optional Features and Accessories (cont'd)**

- Final closure at pocket door.
- ADA-compliant pass door with flush pulls and roller latch.
- Door options:
  - concealed automatic closer
  - window frame
  - door viewer
  - self-luminescent exit sign with red (standard) or green (optional) faceplate \*
  - "running man" self-luminescent exit sign with green faceplate \*
  - deadbolt lock \*

*(\* An exit sign and a deadbolt lock will not be installed together on the same door.)*

- Surface-mounted white marker boards.
- Surface-mounted chalk boards.
- Surface-mounted natural cork tack boards.
- Eraser boxes.
- 3-section pocket door fitted with limit switches to prevent operation of the partition until the pocket door is fully opened.

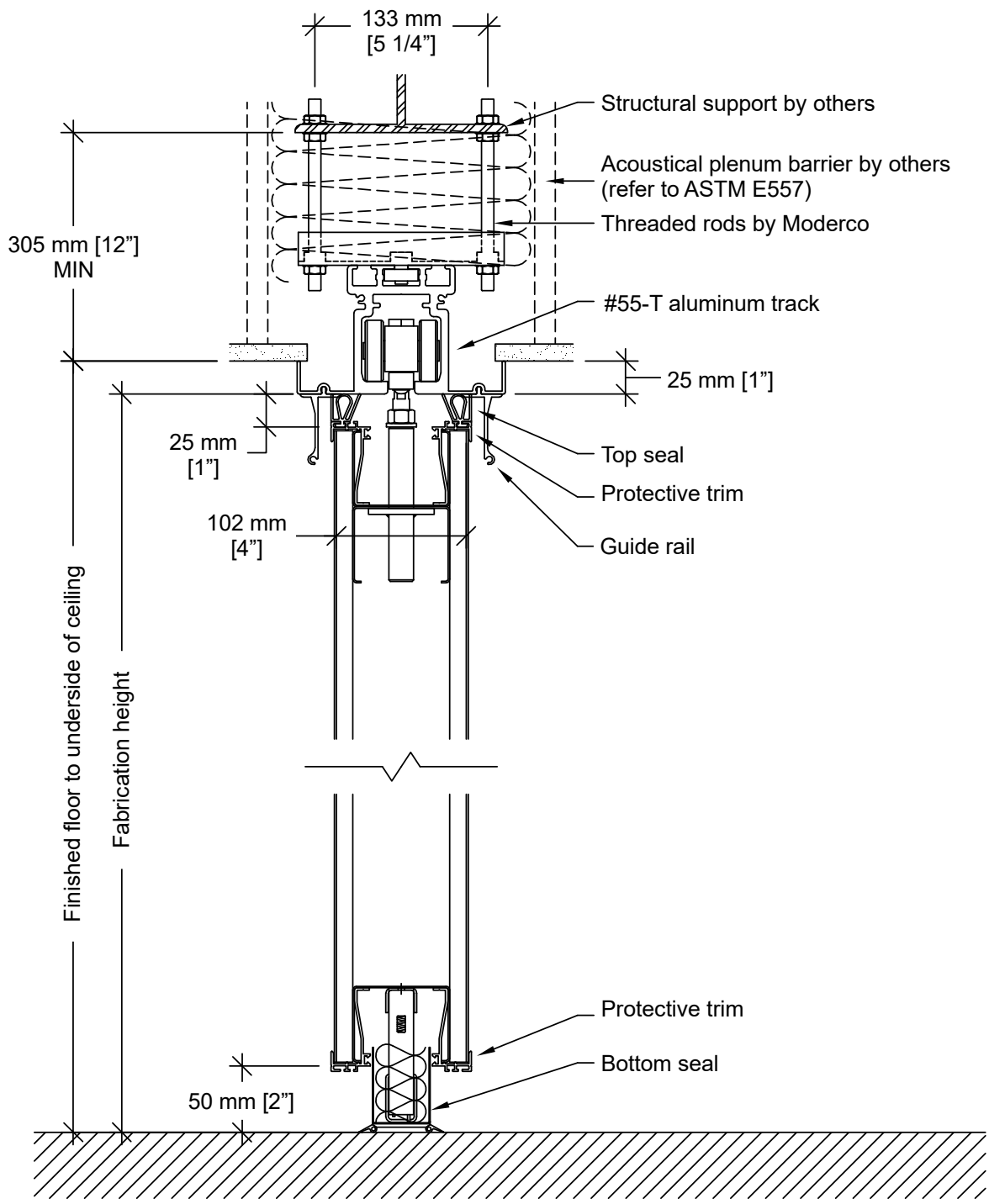
**Horizontal Seals**



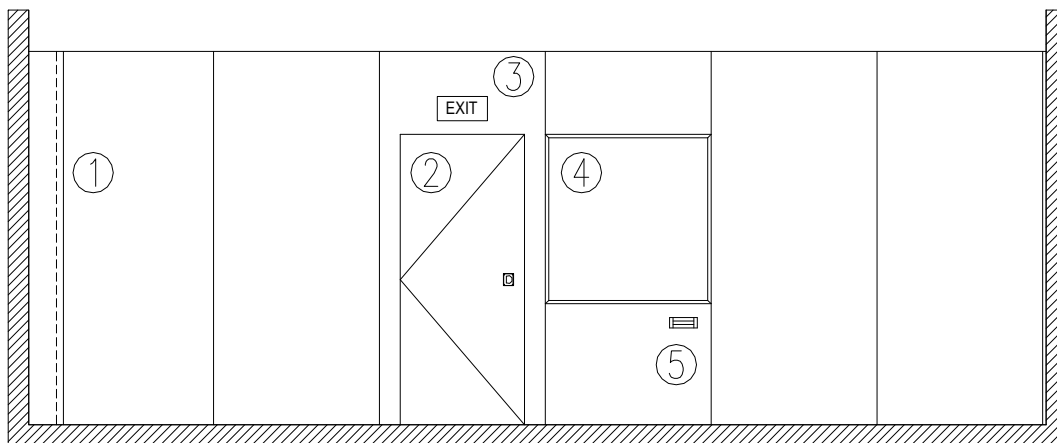
**Type FA**

Floor clearance : 50 mm [2"]  
 Operating tolerances :  
 +0 mm / -38 mm [+0" / -1 1/2"]

### Vertical Section

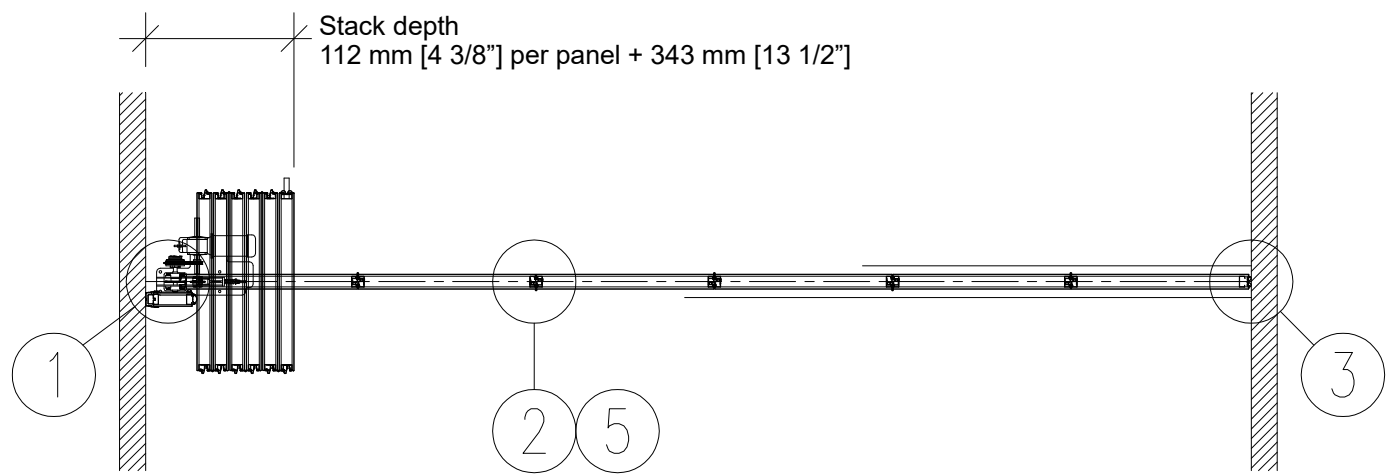


### Elevation

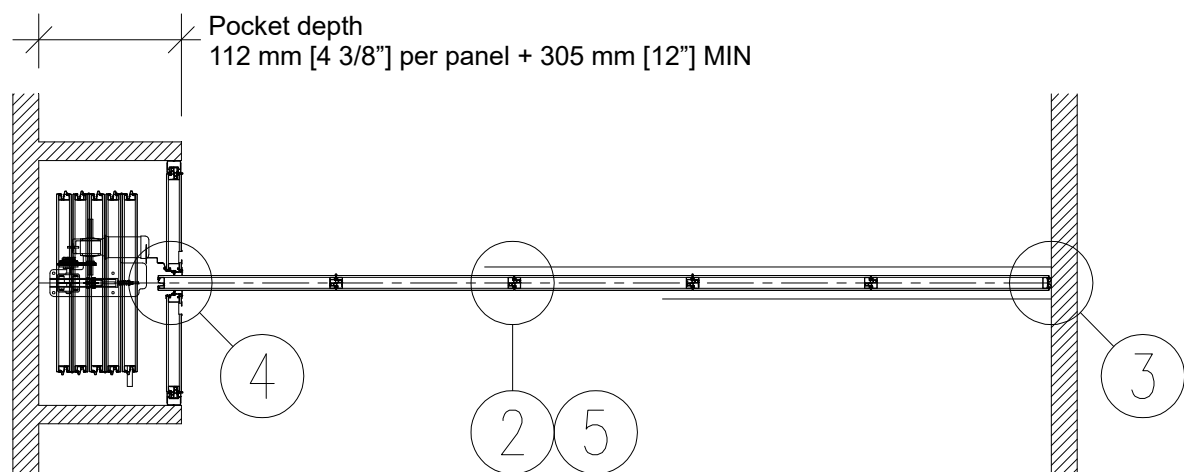


- 1- Closure panel
- 2- Single pass door
- 3- Self-illuminated exit sign
- 4- Work surface
- 5- Eraser box

**Plan Views**

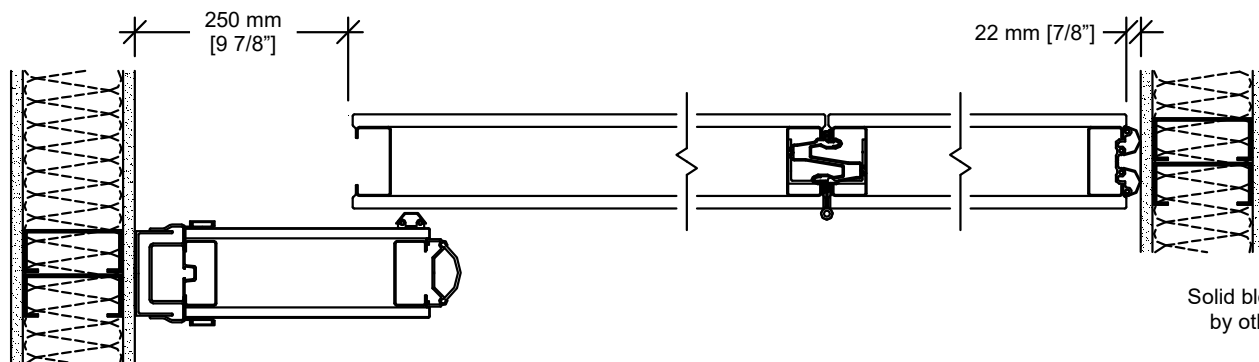


**Wall to wall**



**Wall to pocket with PA-73 acoustical pocket door**

### Horizontal Sections



Solid blocking  
by others



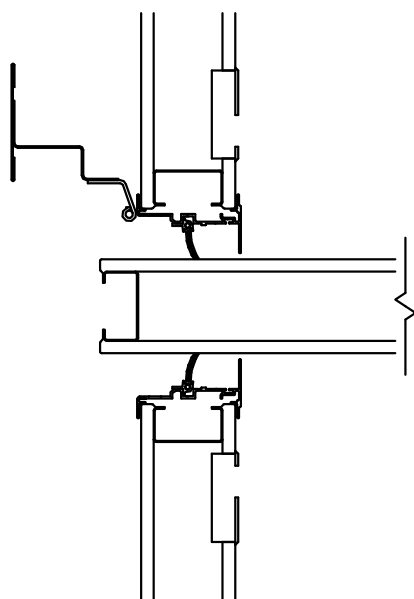
Side jamb closure



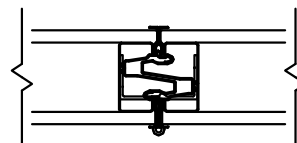
Panel joint



Bulb seal

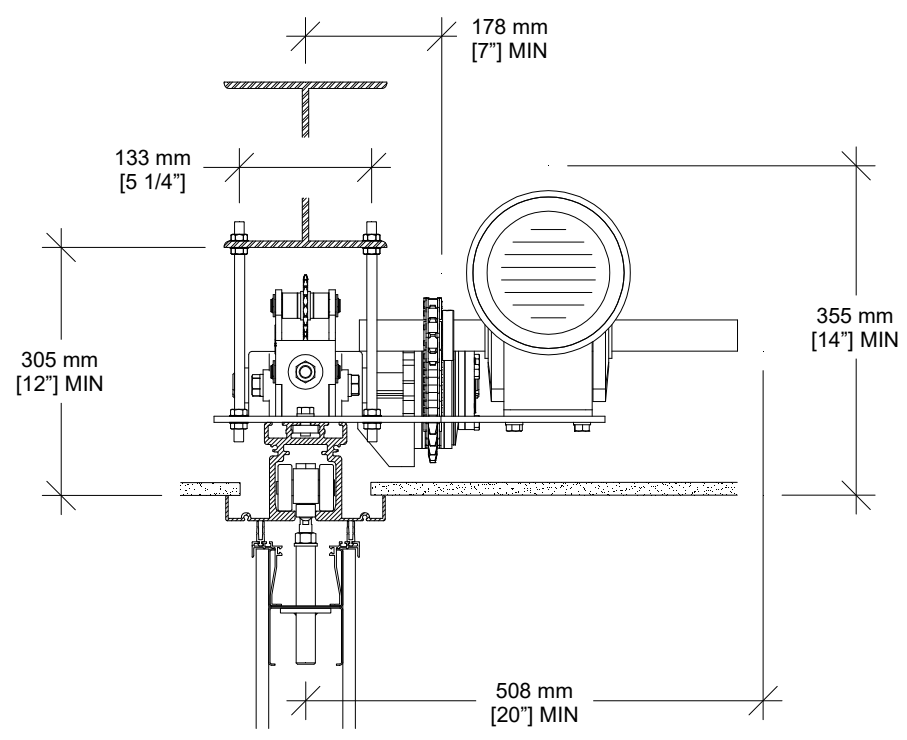


Closure at pocket door  
(optional)



Panel joint with protective trims  
(optional)

### Drive Unit



### Optional Safety Devices

