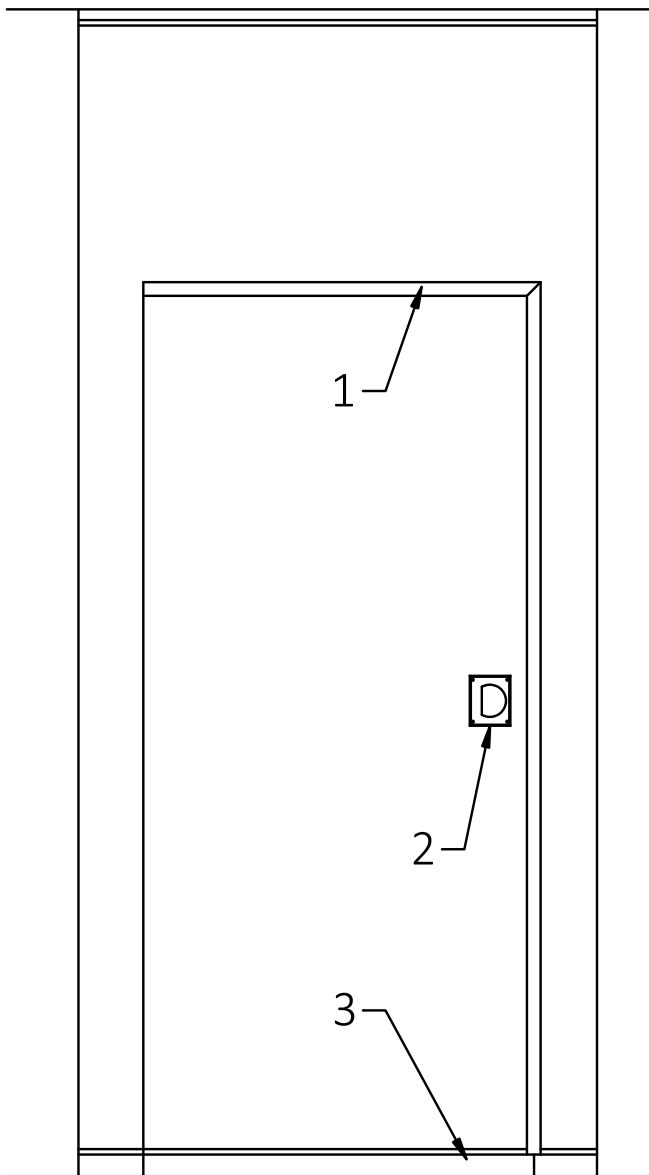




### Technical Data Sheet Excel 743-E Single Pass Door

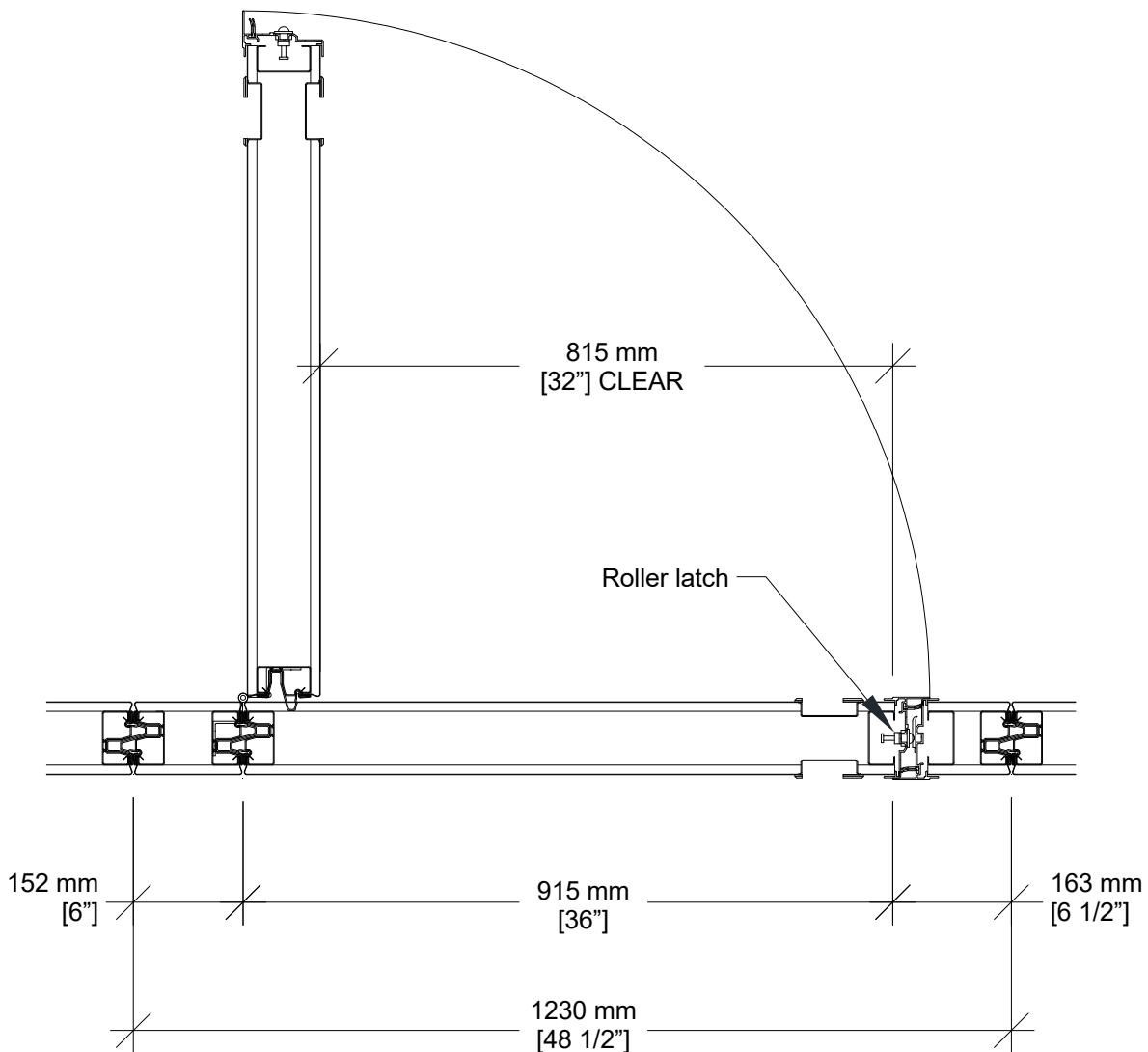


- Same core construction as movable partition panels
- Same surface finish as movable partition
- Steel butt hinges.
- Flush pulls and roller latch
- Minimum height without EXIT Sign :
  - 2451 mm [8'-0 1/2"] underside of track for 2134 mm [7'-0"] door
  - 2349 mm [7'-8 1/2"] underside of track for 2032 mm [6'-8"] door
- Minimum height with EXIT Sign :
  - 2667 mm [8'-9"] underside of track for 2134 mm [7'-0"] door
  - 2565 mm [8'-5"] underside of track for 2032 mm [6'-8"] door

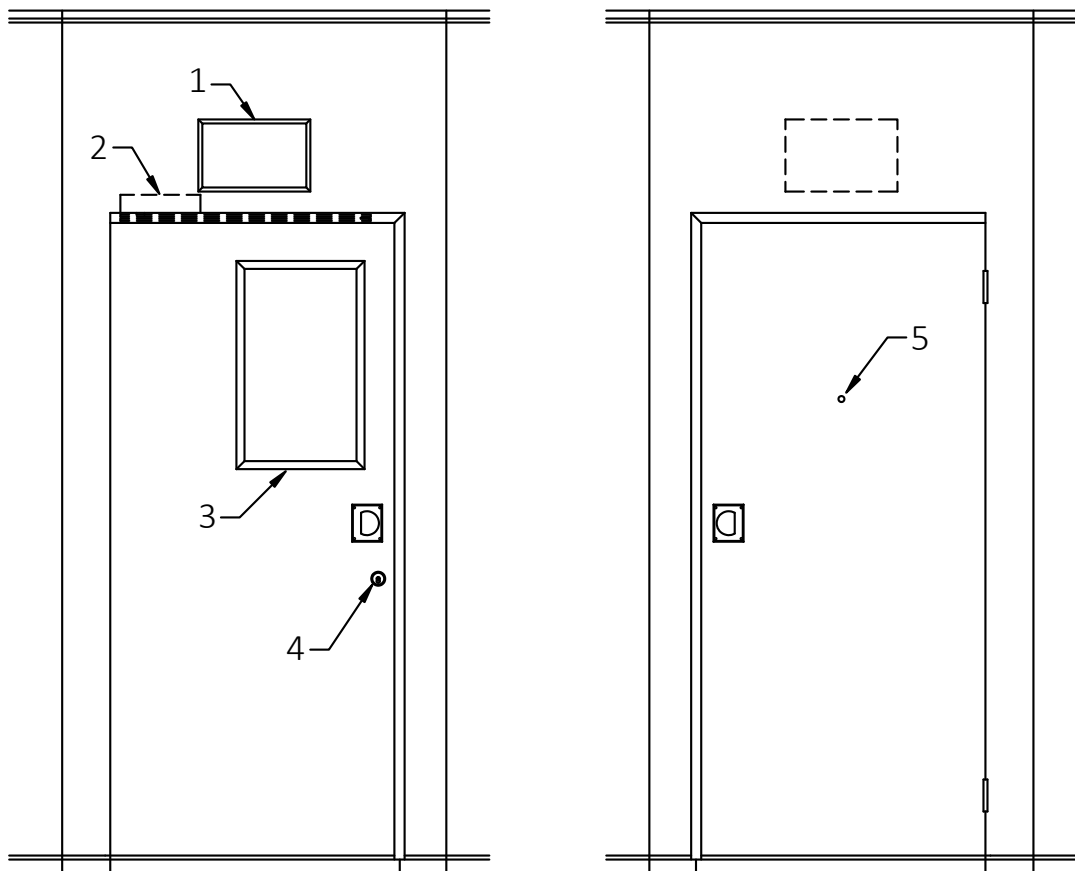
- 1- Hidden fixed sweeps
- 2- Flush pull
- 3- Fixed sweeps



**Horizontal Section**



### Optional Hardware



- 1- Self-luminescent Exit Sign
  - standard red faceplate
  - optional green faceplate
  - optional "Running Man" with green faceplate
- 2- Concealed Door Closer
- 3- Window Frame
  - 355 mm X 610 mm [14" X 24"]
  - Glazing by others
- 4- Deadbolt lock
- 5- Door Viewer