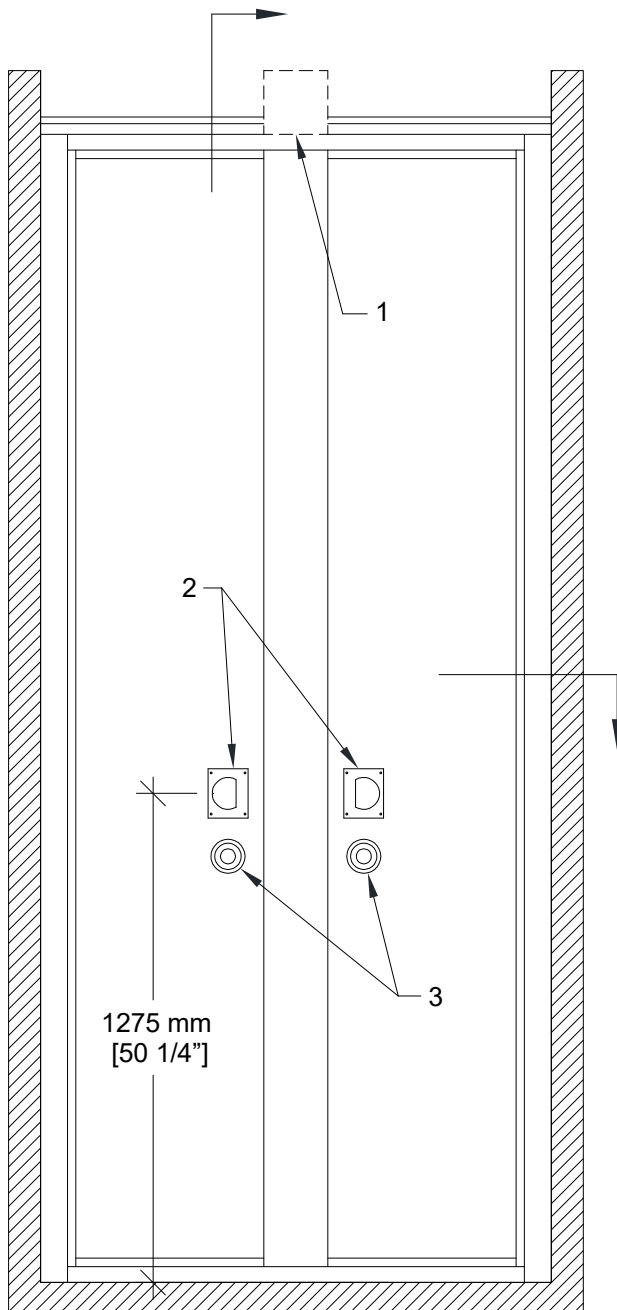




**MODERCO**

Signature 8000 Series

## Technical Data Sheet Signature 800 PA-83 Pocket Door



### ***PA-83 Acoustical Pocket Door***

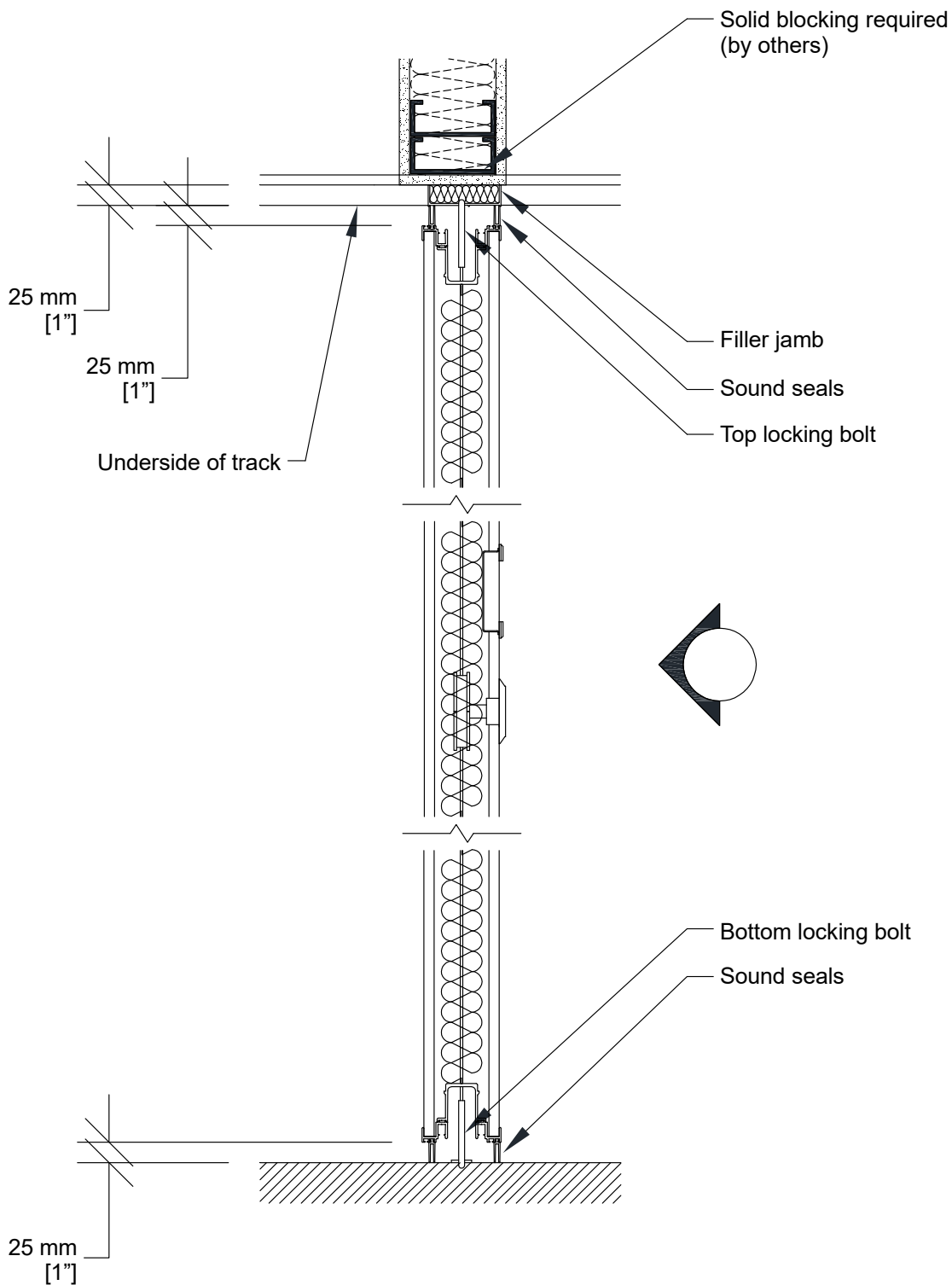
- 2 independent sections and 1 center flap
- Same core construction as movable partition panels
- Same surface finish as movable partition / optional custom finish / unfinished
- Same frame finish as movable partition / optional custom finish
- Fixed top, bottom and vertical sweeps
- Top and bottom locking bolts
- Low profile hinges

1- Track

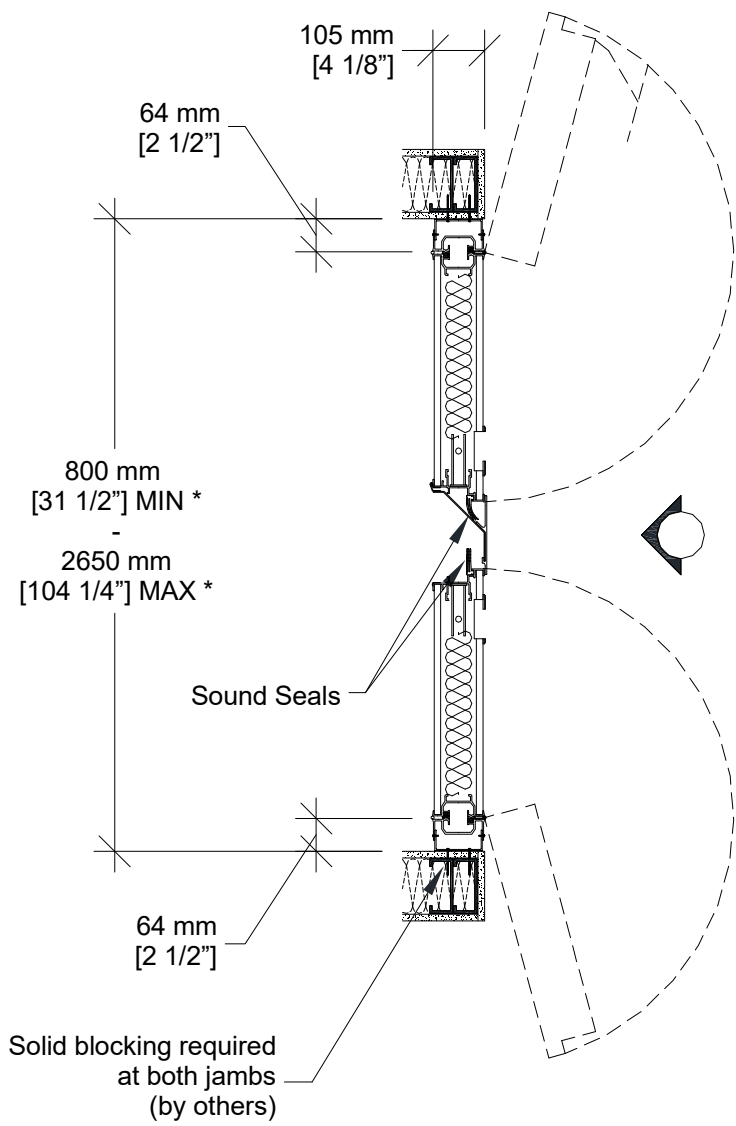
2- Flush pulls

3- Top and bottom locking bolt activator

**Vertical Section**



### Horizontal Section



\* Min/Max dimensions are fabrication limits and do not account for job-specific conditions.

Please consult shop drawings or local Moderco distributor prior to sizing pockets.