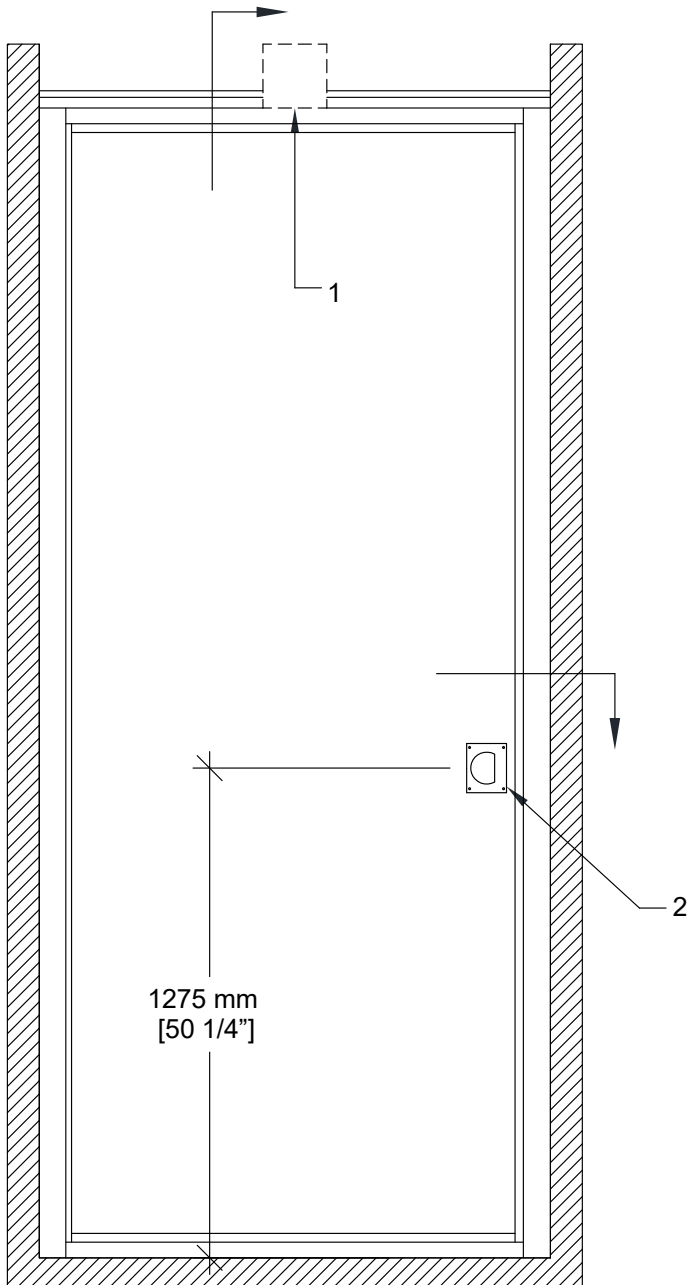




**MODERCO**

Signature 800 Series

Technical Data Sheet  
Signature 800 PN-81 Pocket Door



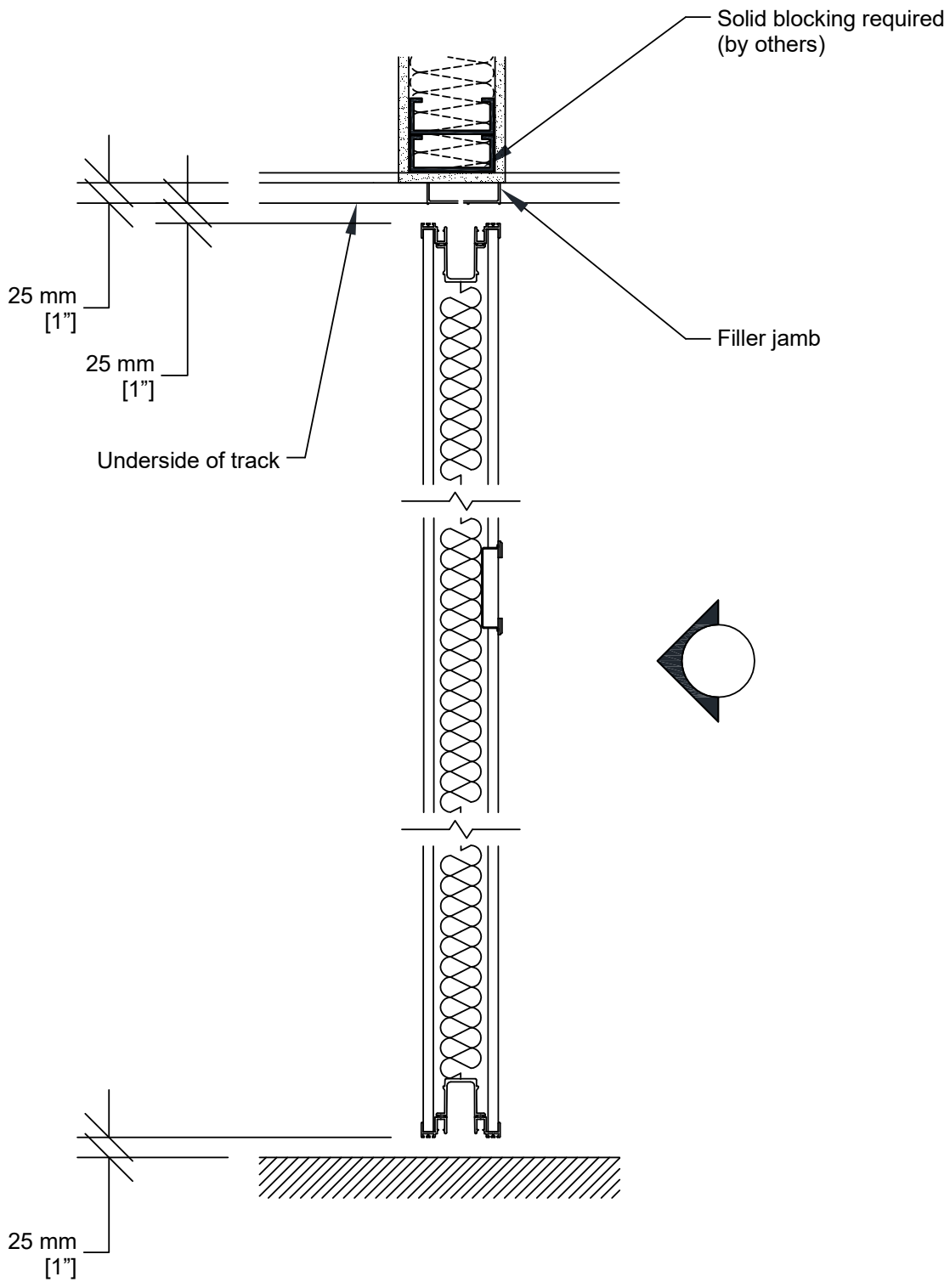
**PN-81 Non-acoustical Pocket Door**

- 1 section
- Same basic construction as movable partition panels
- Same surface finish as movable partition / optional custom finish / unfinished
- Same frame finish as movable partition / optional custom finish
- Low profile hinges
- Optional lockable top and bottom sliding bolts

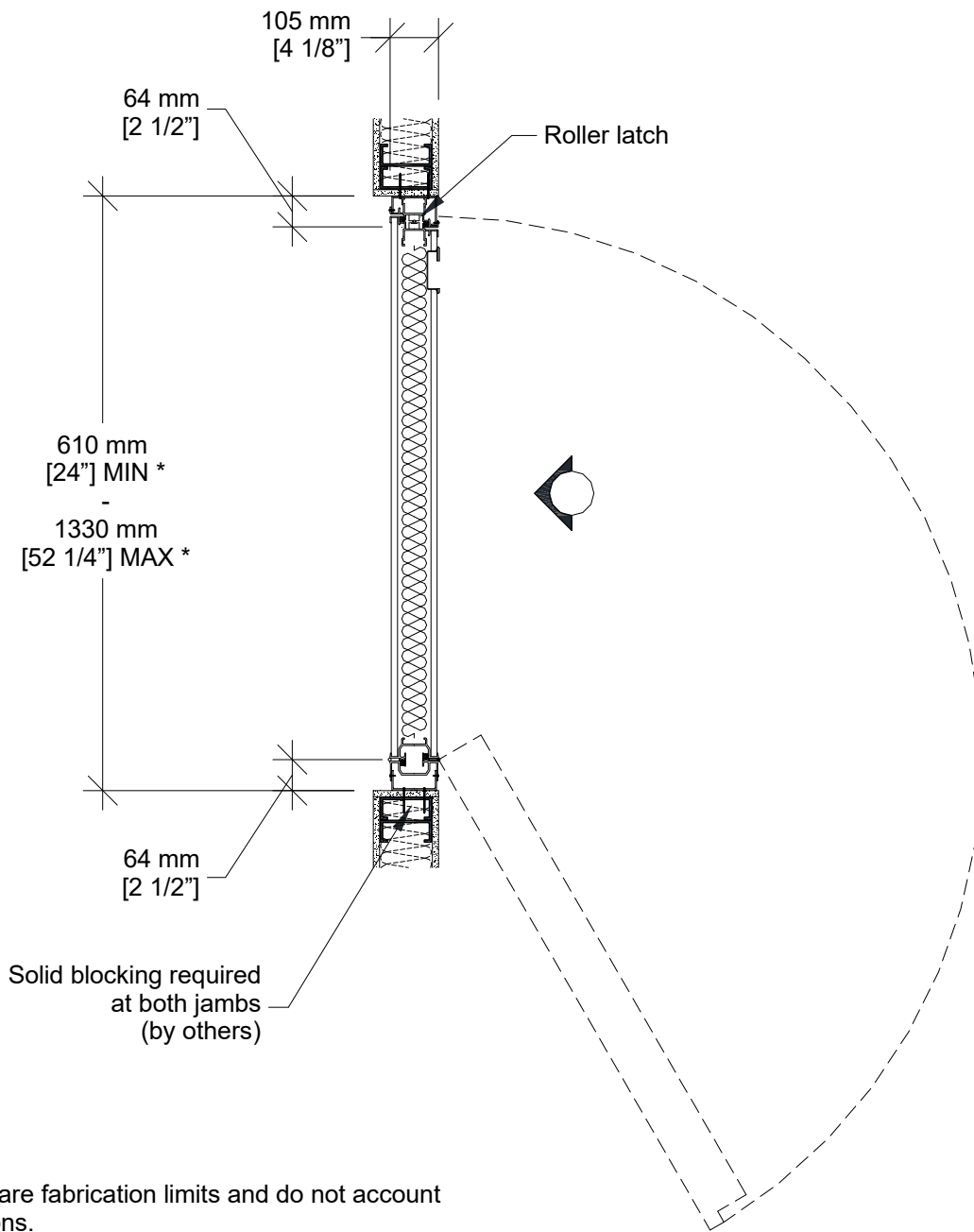
1- Track

2- Flush pull

**Vertical Section**



### Horizontal Section



\* Min/Max dimensions are fabrication limits and do not account for job-specific conditions.

Please consult shop drawings or local Moderco distributor prior to sizing pockets.