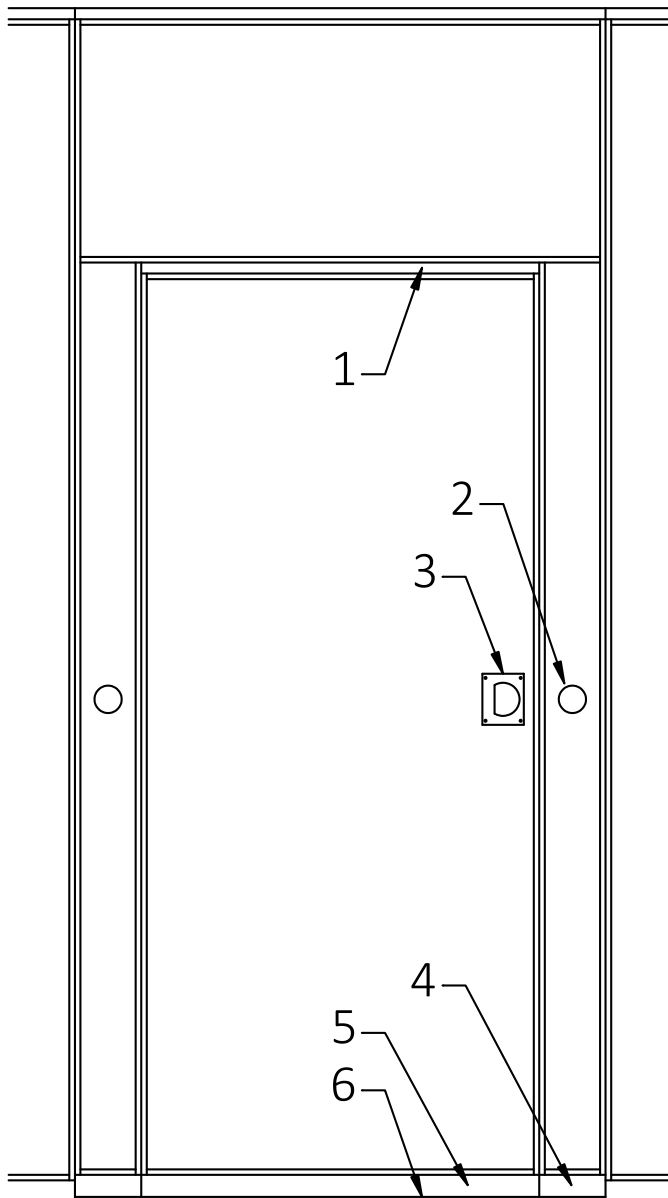


## Technical Data Sheet Signature 841 & 842 Single Pass Door

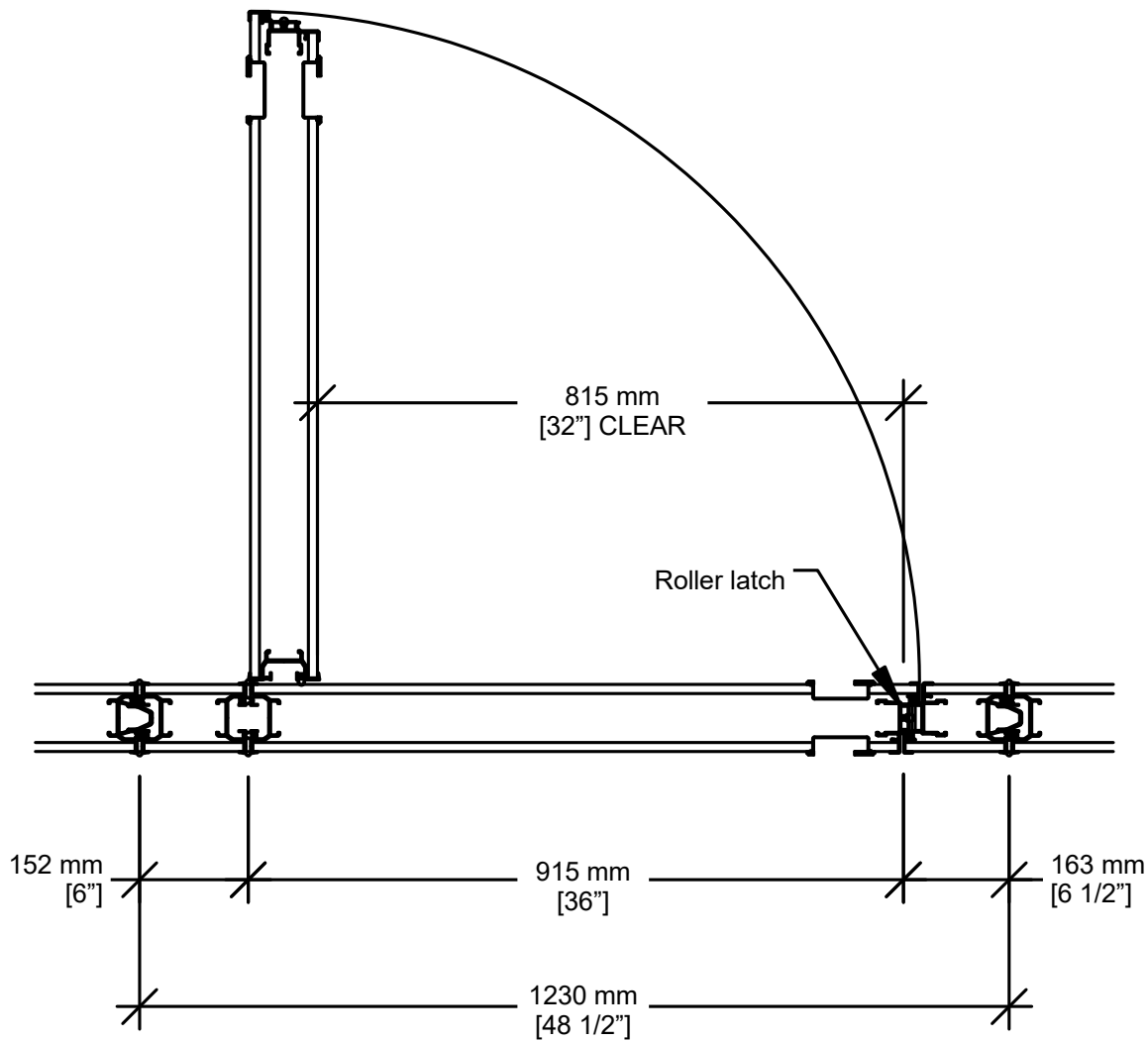


- Same core construction as movable partition panels
- Same surface finish as movable partition / optional custom finish / unfinished
- Low profile hinges
- Flush pulls and roller latch
- 2553 mm [8'-4 1/2"] underside of track MIN for 2134 mm [7'-0"] door
- 2452 mm [8'-0 1/2"] underside of track MIN for 2032 mm [6'-8"] door

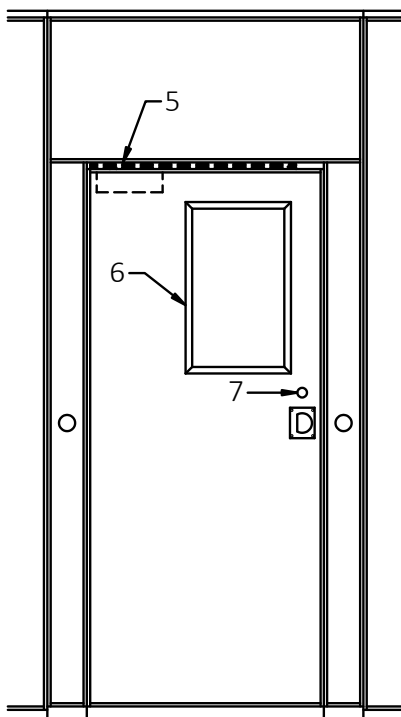
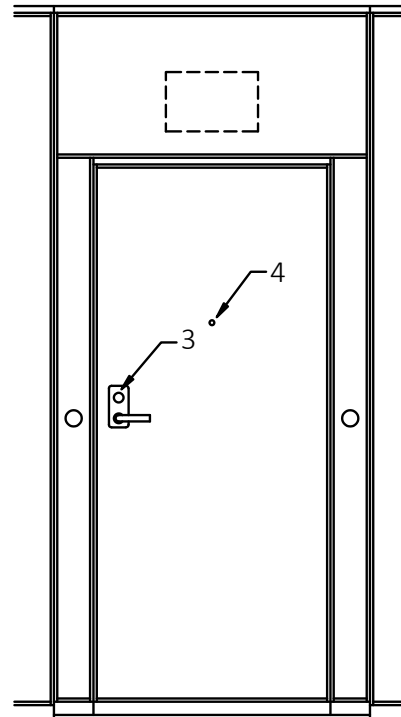
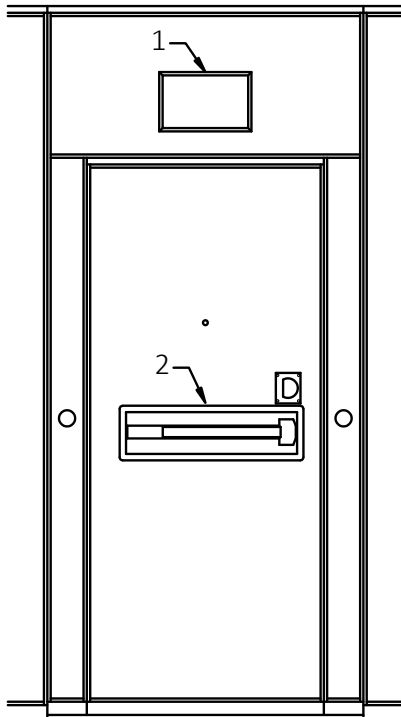
- 1- Fixed sweeps
- 2- Retractable seal activator
- 3- Flush pull
- 4- Manually-activated bottom seals
- 5- Automatically-activated door deal
- 6- ADA-compliant door threshold :
  - 12 mm [1/2"] thickness
  - 2 : 1 slope



**Horizontal Section**



### Optional Hardware



- 1- Exit Sign
  - Self-luminous “Running Man” exit sign with green faceplate (standard outside USA, optional in USA)
  - Photoluminescent “EXIT” sign with red faceplate (standard in USA, optional elsewhere)
  - Photoluminescent “EXIT” sign with green faceplate (optional)
  - Self-luminous “EXIT” sign with red faceplate (optional)
  - Self-luminous “EXIT” sign with green faceplate (optional)

- 2- Panic bar <sup>1</sup>
- 3- Panic bar lever (with optional lock)
- 4- Door viewer
- 5- Concealed door closer
- 6- Window frame
  - 355 mm X 610 mm [14” X 24”]
  - Glazing by others
- 7- Deadbolt lock <sup>2</sup>

<sup>1</sup> Add 150 mm [6”] to stack depth for each panic bar

<sup>2</sup> Not available with panic bar or exit sign