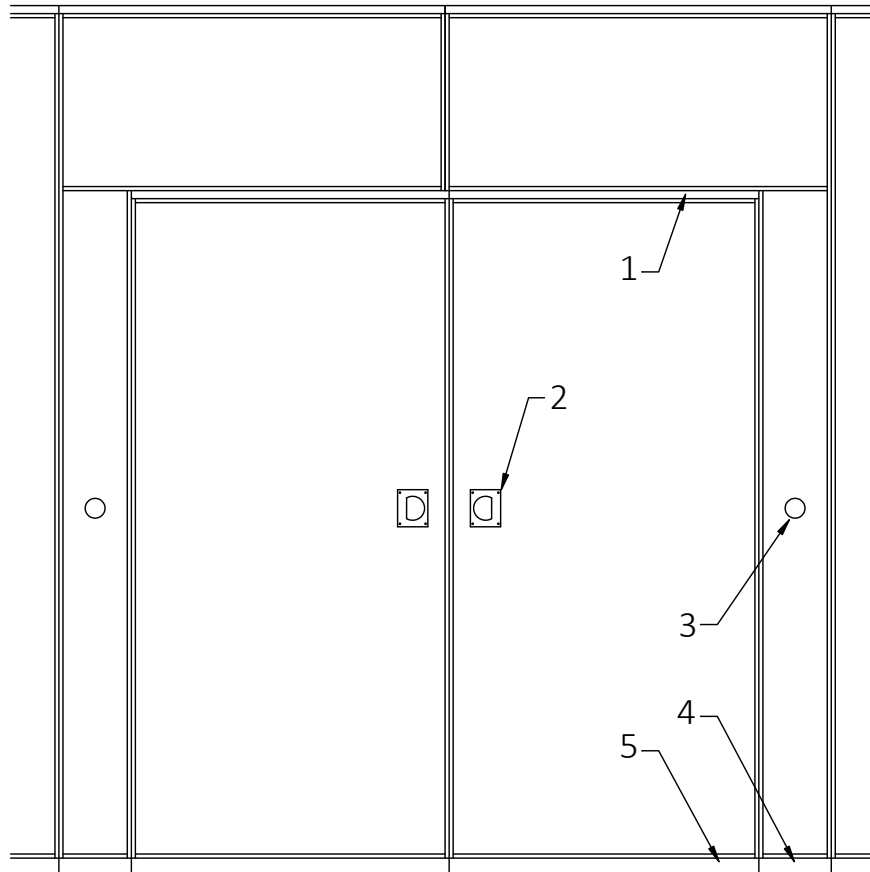




**MODERCO**

Signature 800 Series

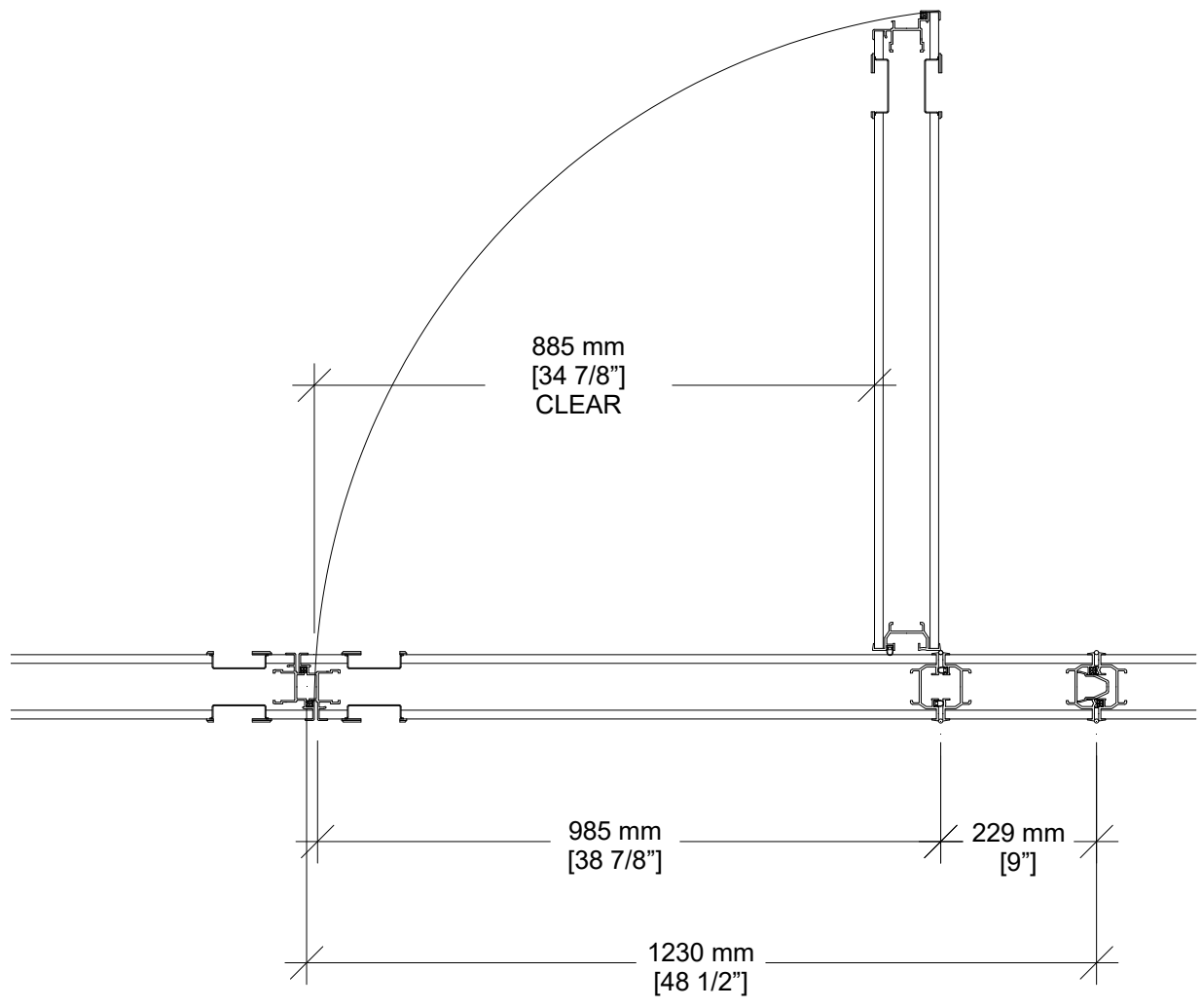
## Technical Data Sheet Signature 800 Double Pass Doors



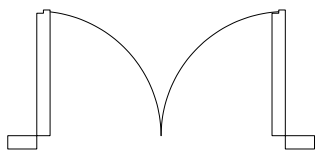
- Same core construction as movable partition panels
- Same surface finish as movable partition / optional custom finish / unfinished
- Low profile hinges
- Flush pulls and roller latch
- 2553 mm [8'-4 1/2"] underside of track MIN for 2134 mm [7'-0"] door
- 2452 mm [8'-0 1/2"] underside of track MIN for 2032 mm [6'-8"] door

- 1- Sweep seals
- 2- Flush pull
- 3- Retractable seal activator
- 4- Manually-activated bottom seals
- 5- Sweep seals

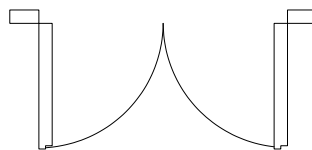
**Horizontal Section**



Unless otherwise specified, the right-side door on the push side is the active leaf

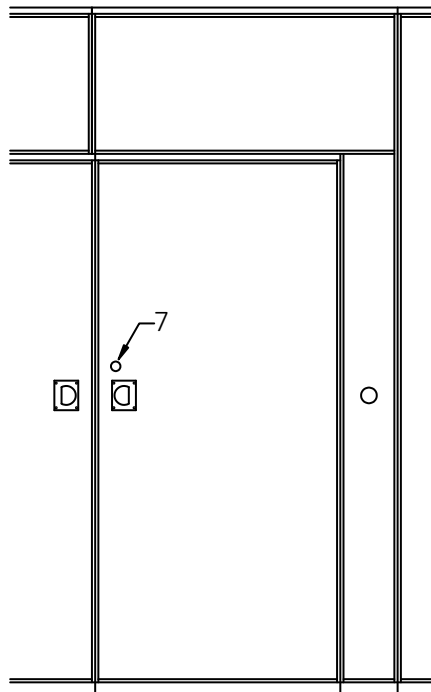
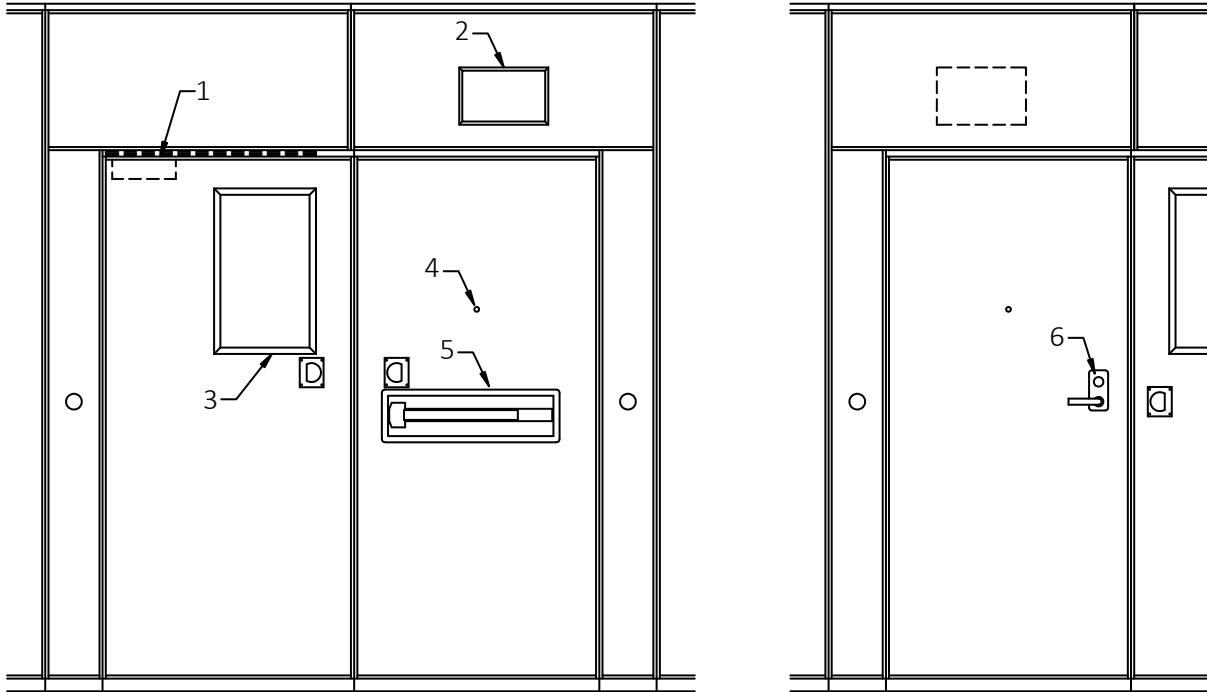


Active



Active

## Optional Hardware



1- Concealed door closer

2- Self-luminous exit sign. <sup>1</sup>

- “Running Man” exit sign with green faceplate (standard outside USA, optional in USA)
- “EXIT” sign with red faceplate (standard in USA, optional elsewhere)
- “EXIT” sign with green faceplate (optional)

3- Window frame

- 355 mm X 610 mm [14” X 24”]
- Glazing by others

4- Door viewer

5- Panic bar <sup>1/2</sup>

6- Panic bar lever (with optional lock)

7- Deadbolt lock <sup>3</sup>

<sup>1</sup> Exit sign and panic bar available on active leaf only

<sup>2</sup> Add 150 mm [6”] to stack depth for each panic bar

<sup>3</sup> Not available with panic bar or exit sign