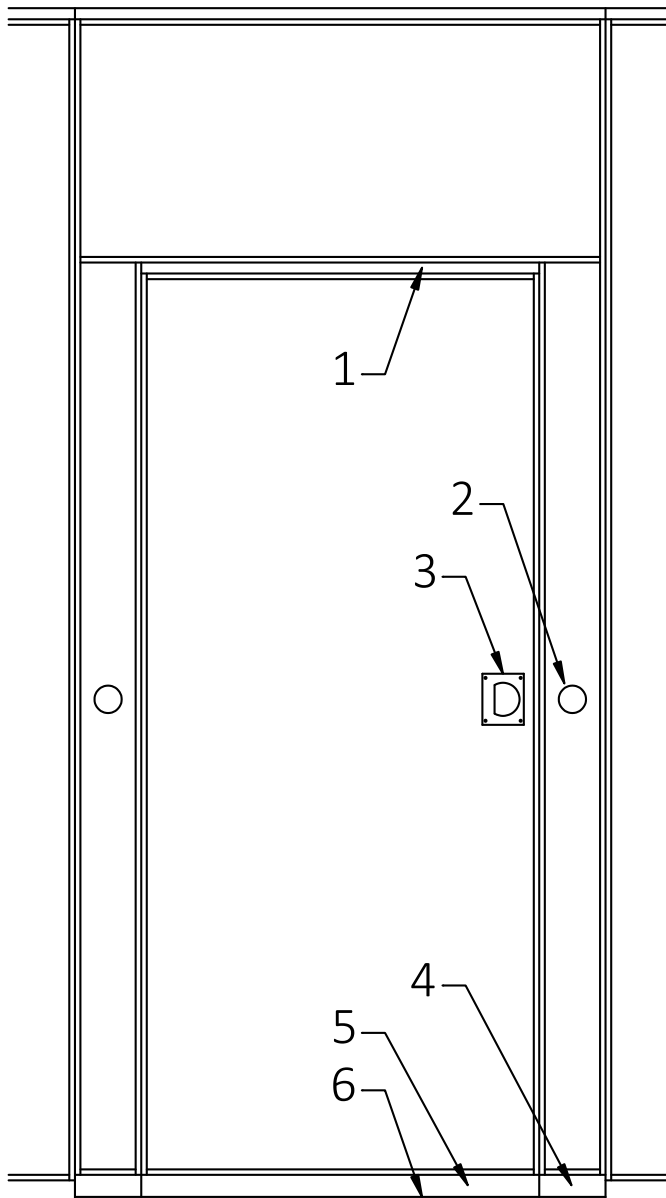




MODERCO

Signature 800 Series

Technical Data Sheet Signature 841 & 842 Single Pass Door

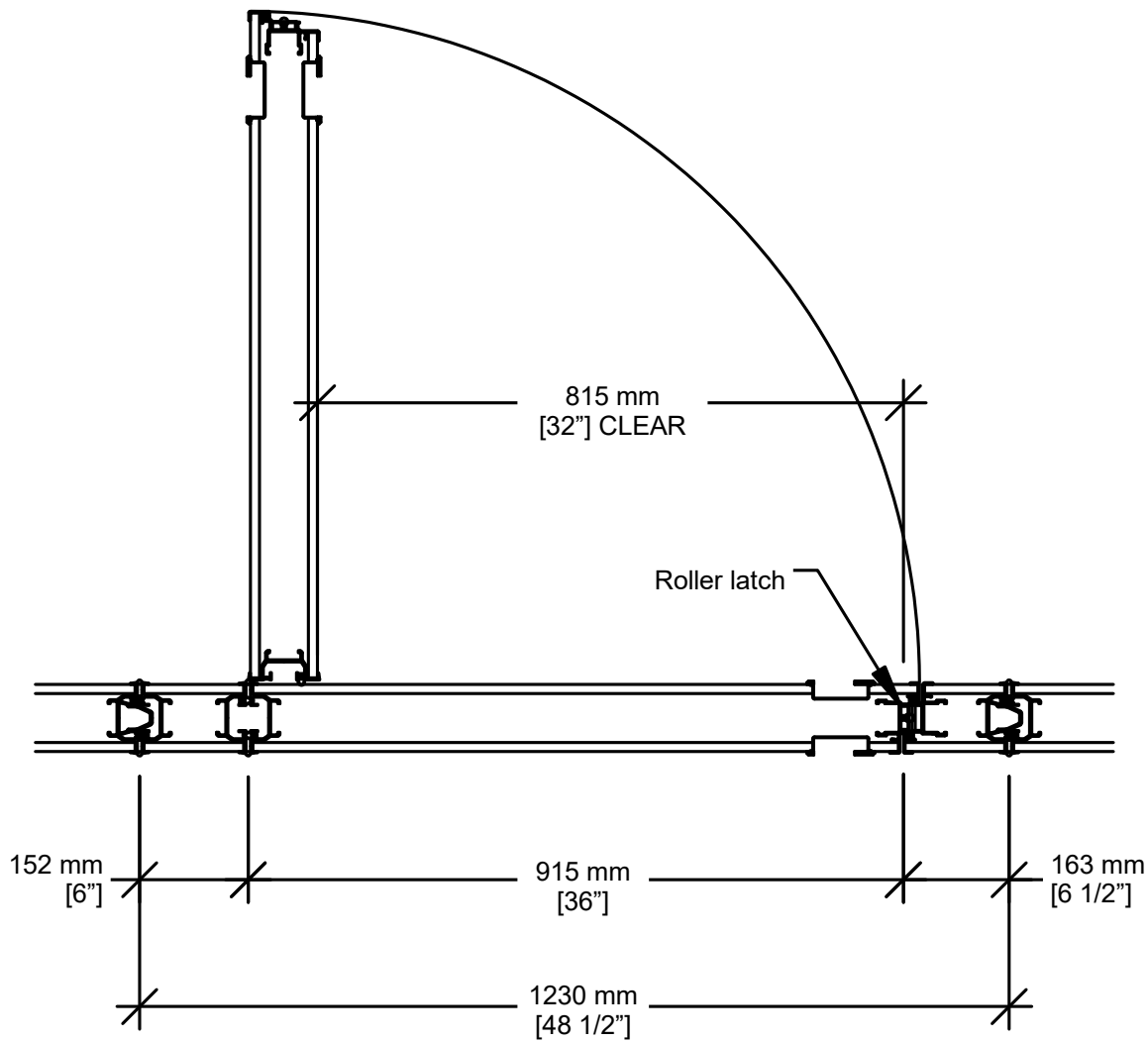


- Same core construction as movable partition panels
- Same surface finish as movable partition / optional custom finish / unfinished
- Low profile hinges
- Flush pulls and roller latch
- 2553 mm [8'-4 1/2"] underside of track MIN for 2134 mm [7'-0"] door
- 2452 mm [8'-0 1/2"] underside of track MIN for 2032 mm [6'-8"] door

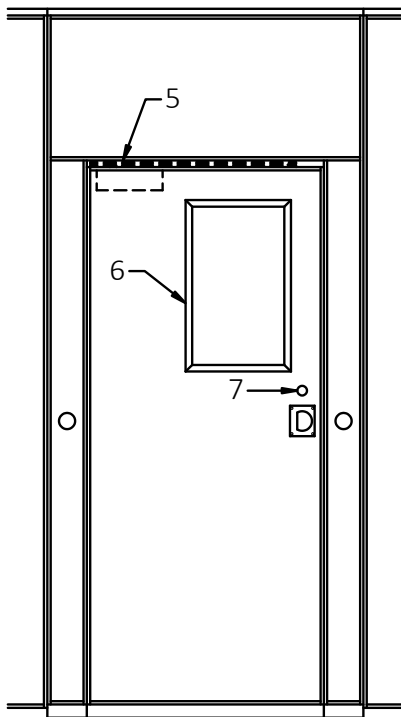
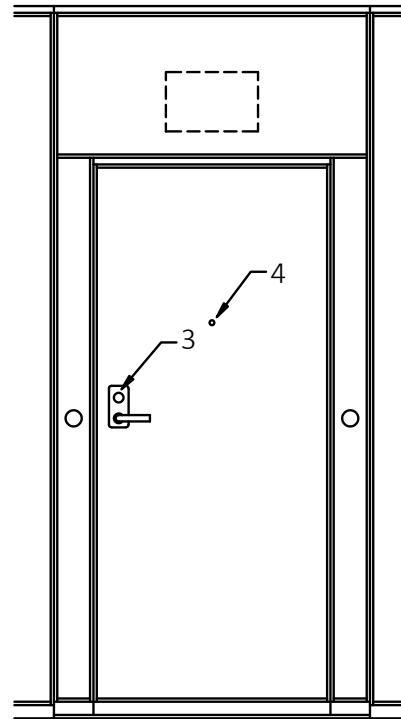
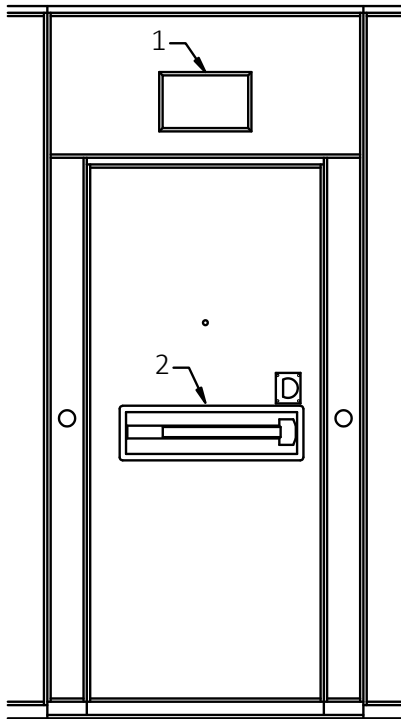
- 1- Fixed sweeps
- 2- Retractable seal activator
- 3- Flush pull
- 4- Manually-activated bottom seals
- 5- Automatically-activated door deal
- 6- ADA-compliant door threshold :
 - 12 mm [1/2"] thickness
 - 2 : 1 slope



Horizontal Section



Optional Hardware



1- Self-luminescent Exit Sign

- “Running Man” exit sign with green faceplate (standard outside USA, optional in USA).
- “EXIT” sign with red faceplate (standard in USA, optional elsewhere).
- “EXIT” sign with green faceplate (optional)

2- Panic bar ¹

3- Panic bar lever (with optional lock)

4- Door viewer

5- Concealed door closer

6- Window frame

- 355 mm X 610 mm [14” X 24”]
- Glazing by others

7- Deadbolt lock ²

¹ Add 150 mm [6”] to stack depth for each panic bar

² Not available with panic bar or exit sign