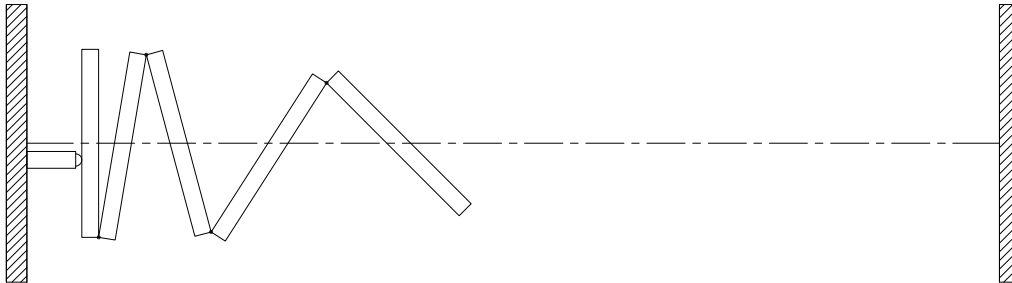


Technical Data Sheet Signature 843-E



Features & Options

Standard Features

- Electrically-operated continuously-hinged movable partition.
- Driven by #35 roller chain.
- STC 43 or 47 with gypsum board faces.
- STC 49 or 52 with steel faces laminated to gypsum board.
- 102 mm [4"] nominal thickness. 1230 mm [48 1/2"] maximum width.
- Clear-anodized steel-reinforced aluminum frame.
- Protective trims on entire perimeter.
- Combination aluminum and vinyl tongue and groove vertical sound seals between panels.
- Final closure by lateral wall jamb.
- Type FF horizontal seals :
 - Fixed top and bottom sweeps
 - bottom seals provide a 50 mm [2"] floor clearance
- Low profile steel hinges.
- Clear-anodized 6063-T6 alloy aluminum track.
- Each panel supported by one 4-wheeled carrier with steel tires over hardened steel ball bearing wheels.
- Vinyl wallcovering.
- Maximum height: 6780 mm [22'-3"]
Maximum length: 30480 mm [100'-0"]
- UL/ULC listed drive unit with NEMA-1 motor enclosure and controls and control enclosure conform to ANSI/NEMA ICS1, ICS 2 and ICS 6.
- 1.5 hp / 120 V / 1 ph / 60 Hz
- Travel controlled by limit switches.
- Operation by two simultaneously-activated key switches located on each side of the partition.
- Emergency release mechanism for manual operation during power outage.

Optional Features and Accessories

- STC 49 or 52 with gypsum board faces and steel backing.
- Self-compensating bottom seals rise and fall as the floor level changes along the path of the partition. Must not be used on carpet or other high-friction floor coverings.
- Powder-coated protective trims and/or track.

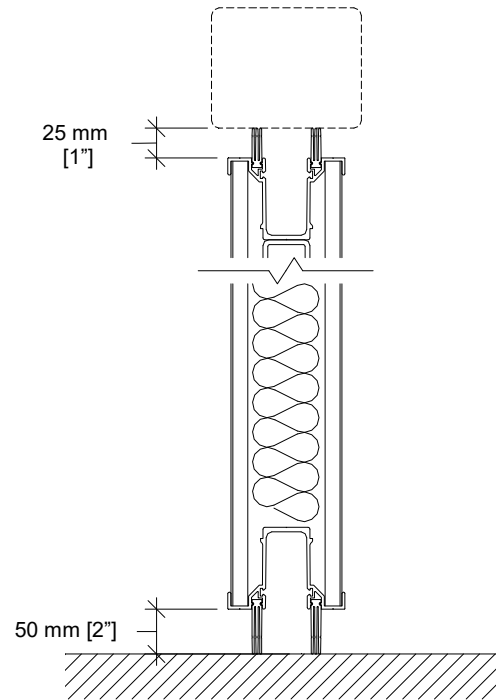
Optional Features and Accessories (cont'd)

- Upgraded wallcoverings: fabric, vertically-ribbed carpet, plastic laminate, full-height marker board, wood veneer, custom finishes.
- Owner-supplied wallcovering (approval required).
- ADA-compliant pass door with flush pulls and roller latch.
- Door options:
 - concealed automatic closer
 - window frame
 - door viewer
 - self-luminescent exit sign with red (standard) or green (optional) faceplate *
 - “running man” self-luminescent exit sign with green faceplate *
 - deadbolt lock *

(* An exit sign and a deadbolt lock will not be installed together on the same door.)

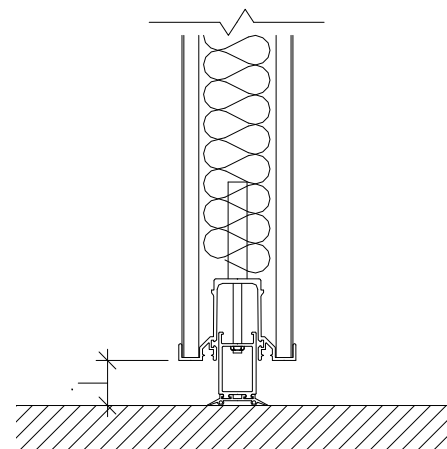
- Inset white marker boards.
- Inset chalk boards.
- Inset natural cork tack boards.
- Eraser boxes.
- 3-section pocket door fitted with limit switches to prevent operation of the partition until the pocket door is fully opened.

Horizontal Seals



Type FF

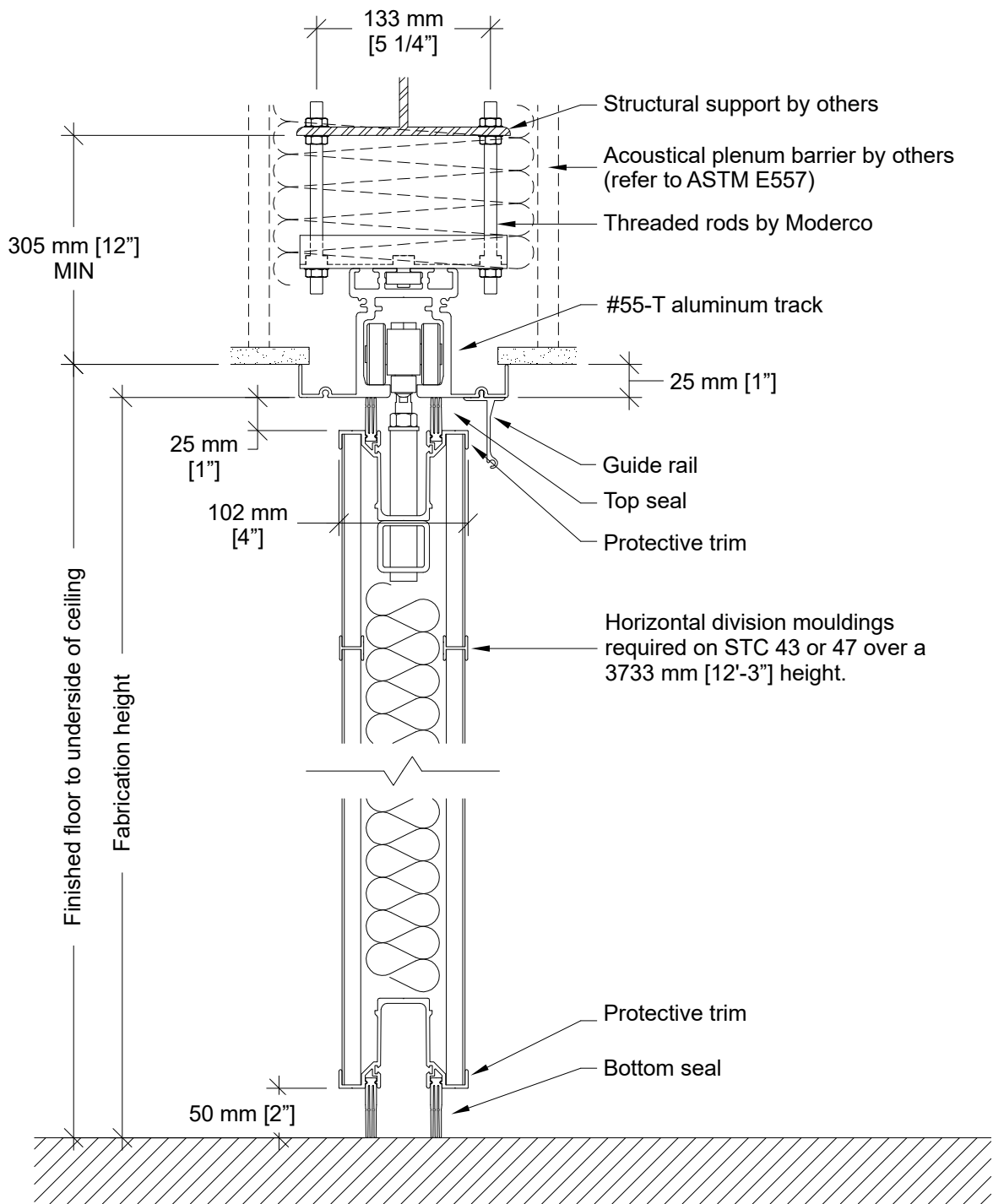
Floor clearance : 50 mm [2"]
 Operating tolerances :
 +0 mm / -38 mm [+0" / -1 1/2"]



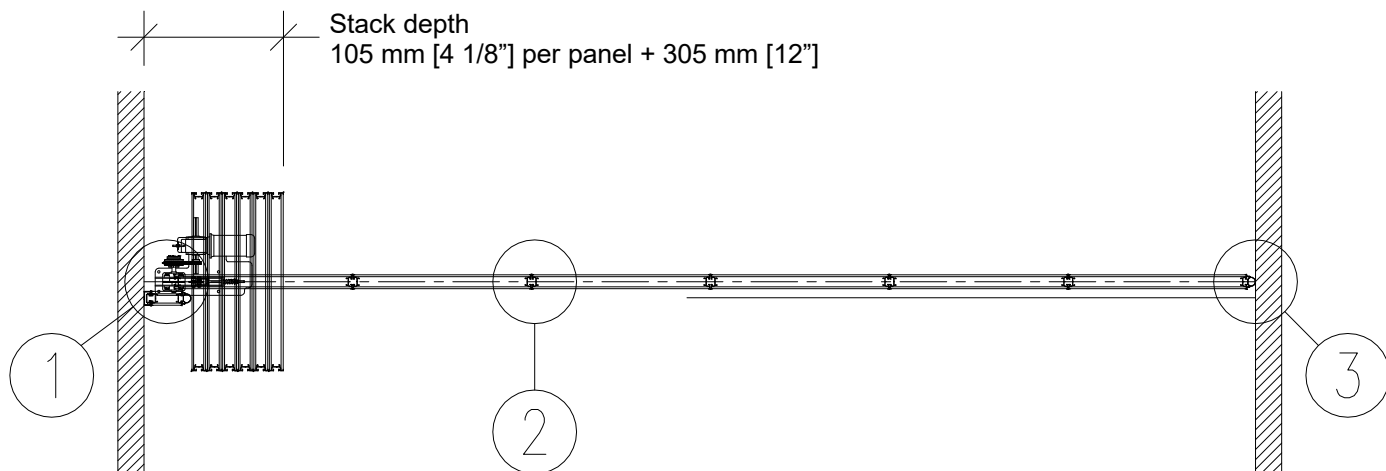
Optional Self-compensating Bottom Seals
 (Must not be used on carpet or other high-friction floor coverings)

Floor clearance : 50 mm [2"]
 Operating tolerances :
 +0 mm / -38 mm [+0" / -1 1/2"]

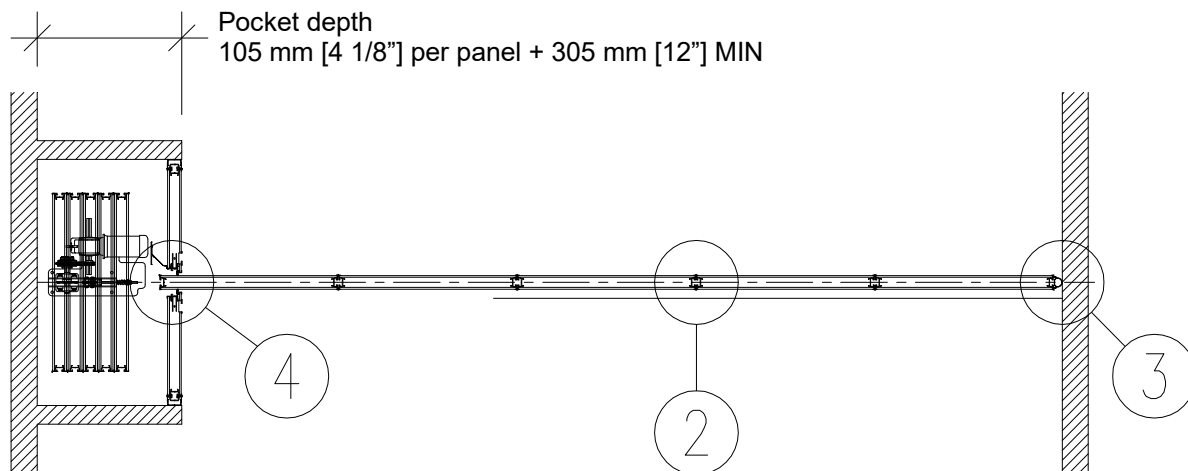
Vertical Section



Plan Views

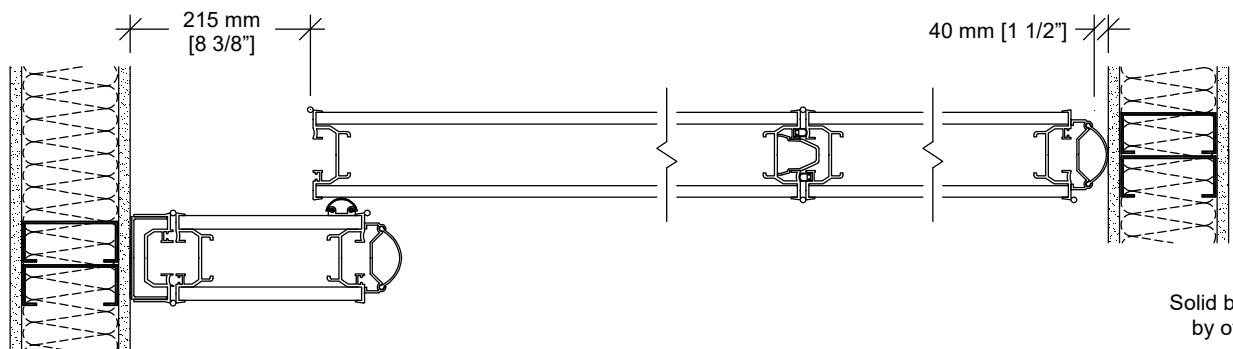


Wall to wall



Wall to pocket with PA-83 acoustical pocket door

Horizontal Section

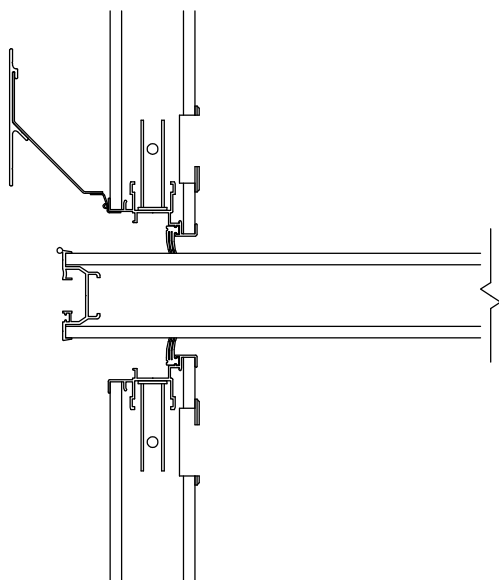


Solid blocking by others

① Side jamb closure

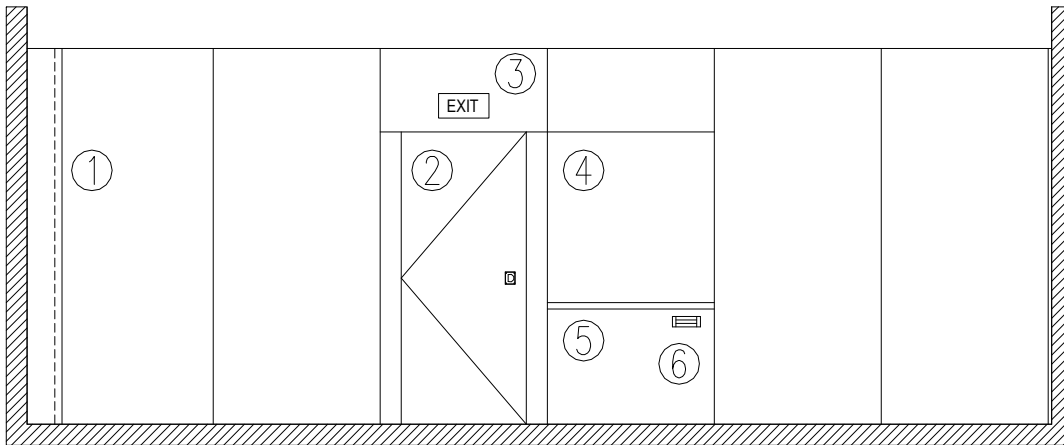
② Panel joint

③ Bulb seal



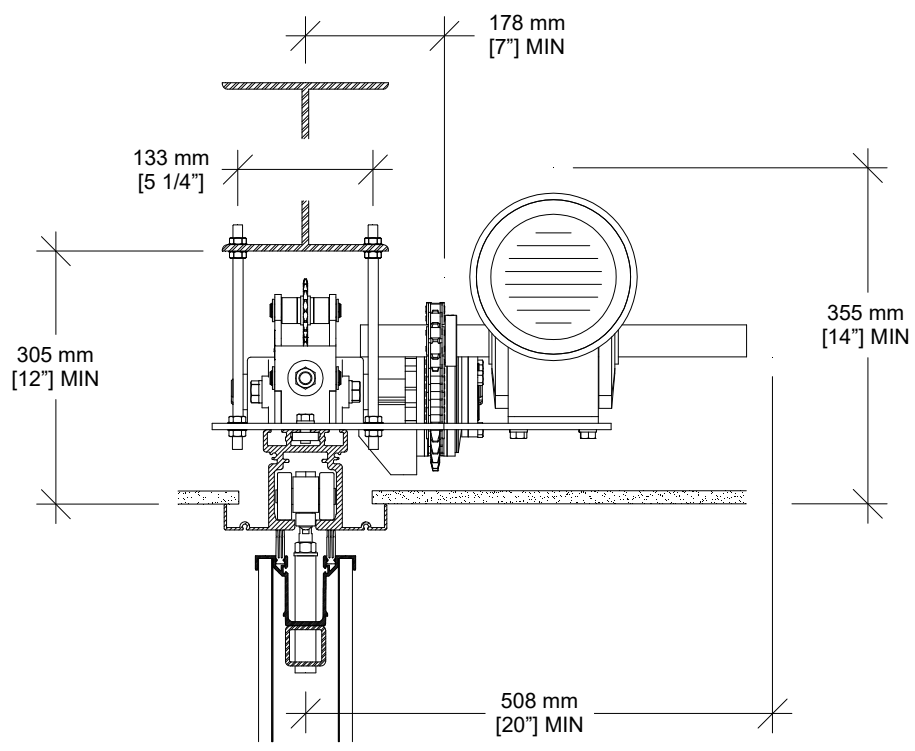
④ Closure at pocket door (optional)

Elevation



- | | |
|-------------------------------|-----------------|
| 1- Closure panel | 4- Work surface |
| 2- Single pass door | 5- Chalk tray |
| 3- Self-illuminated exit sign | 6- Eraser box |

Drive Unit



Optional Safety Devices

