



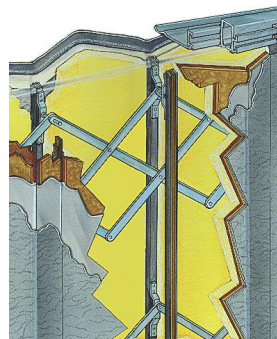
ACCORDION DOORS

# UNIFOLD

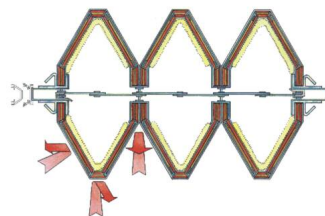


## Moderco Accordion Doors

# UNIFOLD



- Wide range of acoustical values
- Lasting look
- Acoustical and secure closure
- Wide range of finishes



- Rigid cover with no visible hinges, seams or fabric buttons → Aesthetically pleasing
- 14 GA steel internal pantograph system → Ease of operation
- Full height u-shaped steel channels → Increased rigidity
- Dual covers attached to the pantographs → Superior acoustics

Moderco Unifold offers the ideal solution for meeting room dividers. The Moderco Unifold Accordion Door is beautiful and durable with high acoustical performance.

A range of acoustical (STC 31, 35, 40, 44) and non-acoustical doors is available to meet every need and budget



High quality aluminum ceiling guard will look good for years (standard on our models 3100, 3500, 4000 and 4400, optional with # 40 track on model 1500). 10-year warranty.

**Before choosing your accordion door, compare the value.**

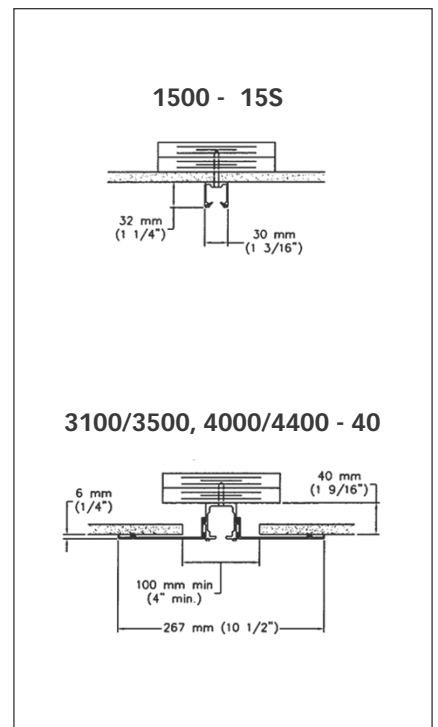
Robust sliding type handle mounted on a full height steel post with a V-shaped acoustical moulding

Independent key lock with changeable cylinder for master key system is available as an option.

Rigid laminated covering (standard manufacturer's selection of vinyl, fabric or carpet)  
Acoustical top & bottom sweep strip standard on models 3100, 3500, 4000 and 4400.



**HEAD DETAILS (MODEL / TRACK)**



# UNIFOLD

## UNIFOLD - PRODUCT GUIDE

| MODEL | STC RATING | CONFIGURATION    | OPERATION | DOOR HANGING WEIGHT<br>Lbs/sq.ft. (kg/m <sup>2</sup> ) | MAX. HEIGHT   | MAX. WIDTH     |
|-------|------------|------------------|-----------|--|---------------|----------------|
| 1500  | 15         | Single / Bi-Part | Manual    | 2.2 (10,8)   | 12'-2" (3,7m) | 35'-0" (10,7m) |
| 3100  | 31         | Single / Bi-Part | Manual    | 2.8 (13,7)   | 12'-2" (3,7m) | 35'-0" (10,7m) |
| 3500  | 35         | Single / Bi-Part | Manual    | 3.2 (15,7)   | 12'-2" (3,7m) | 35'-0" (10,7m) |
| 4000  | 40         | Single / Bi-Part | Manual    | 5.9 (28,9)   | 12'-2" (3,7m) | 35'-0" (10,7m) |
| 4400  | 44         | Single / Bi-Part | Manual    | 7.6 (37,1)   | 12'-2" (3,7m) | 35'-0" (10,7m) |

## PRODUCT GUIDE (FOLLOWING)

| MODEL | TOP & BOTTOM SEALS | STACKED WIDTH | FINISHES                |
|-------|--------------------|---------------|-------------------------|
| 1500  | Fixed sweeps       | 10" (255mm)   | Vinyl / Fabric / Carpet |
| 3100  | Fixed sweeps       | 10" (255mm)   | Vinyl / Fabric / Carpet |
| 3500  | Fixed sweeps       | 10" (255mm)   | Vinyl / Fabric / Carpet |
| 4000  | Fixed sweeps       | 10" (255mm)   | Vinyl / Fabric / Carpet |
| 4400  | Fixed sweeps       | 10" (255mm)   | Vinyl / Fabric / Carpet |

### ■ MATERIALS

**A. Product** to be top supported Unifold [1500, 3100, 3500, 4000 or 4400] accordion doors as manufactured by Moderco Inc.

1. Door shall have an internal 14ga framing of cold rolled galvanized steel, riveted to form "X" construction steel pantographs. Vertical steel channel posts shall support pantographs at each end of the door.
2. Covers shall be continuous 5 ply construction attached to pantographs. Vinyl or plastic hinges shall not be acceptable.
3. Horizontal top seals and bottom seals shall be multi-ply sweep strip on both sides.
4. Door closure shall be positive scissor-type latch (except on model 1500).

**B.** Weight of the accordion doors shall be between 2.2 and 7.6 lbs./sq. ft. [11 and 37 kg/sq.m] plus or minus 1 lb. based on model selected.

**C.** Suspension system:

(Select one) **1500**

1. Track shall be clear anodized tempered aluminum surface mounted.

or **3100, 3500, 4000 or 4400**

1. Track shall be recessed made of clear anodized tempered aluminum with soffit trim of clear anodized aluminum providing a transition to the ceiling.

a. Accordion doors shall be supported by an adjustable 4-wheel trolley at lead post to facilitate alignment to the wall jamb. Intermediate support shall be 2-wheel trolleys spaced at 28" (700mm). Wheels to be of hardened steel ball bearings encased with nylon tires.

### D. Finishes

1. Accordion door finish shall be: (select as required)

a. Factory applied reinforced vinyl wall-covering with woven backing, weighing 20 oz. or more per lineal yard [465 g/m]. Color shall be selected from manufacturer's standard color selector.

b. Standard up-grade finishes (color shall be selected from manufacturer's standard color selector):

(1) Factory applied vertical ribbed carpet.

(2) Factory applied 100% polyolefin stain resistant fabric.

2. Aluminum parts of the door color shall be clear anodized.

3. Aluminum track and soffit shall be clear anodized.

### E. Accessories/Options

1. Sliding panel.
2. Rolling post.
3. Curved track.
4. Glide switch.
5. "L" type lead post.
6. "T" type lead post.
7. "X" type lead post.

### ■ OPERATION

**A.** Accordion doors shall be manually operated, top supported, (select one): [single, or paired] as indicated on the drawings.

**B.** Accordion doors shall have top and bottom horizontal sweep strips (except on model 1500).

### ■ ACOUSTICAL PERFORMANCE

Acoustical performance shall have been tested at an independent laboratory in accordance with ASTM E90 Test Standards. Standard accordion door construction shall have obtained an STC rating of (select one): [31, 35, 40 or 44].



For additional information:  
www.moderco.com  
info@moderco.com

**Moderco Inc.**  
115 de Lauzon,  
Boucherville,  
(Québec) J4B1E7

Phone: 1-800-363-3150  
Fax: 1-800-231-4965

All information contained in this brochure is subject to change without notice



Printed on recycled paper