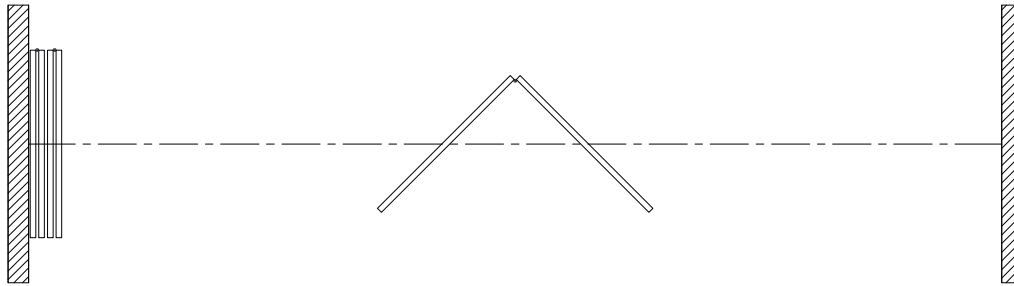




**MODERCO**

VISION 100 Series

## Technical Data Sheet Vision 122



### Features & Options

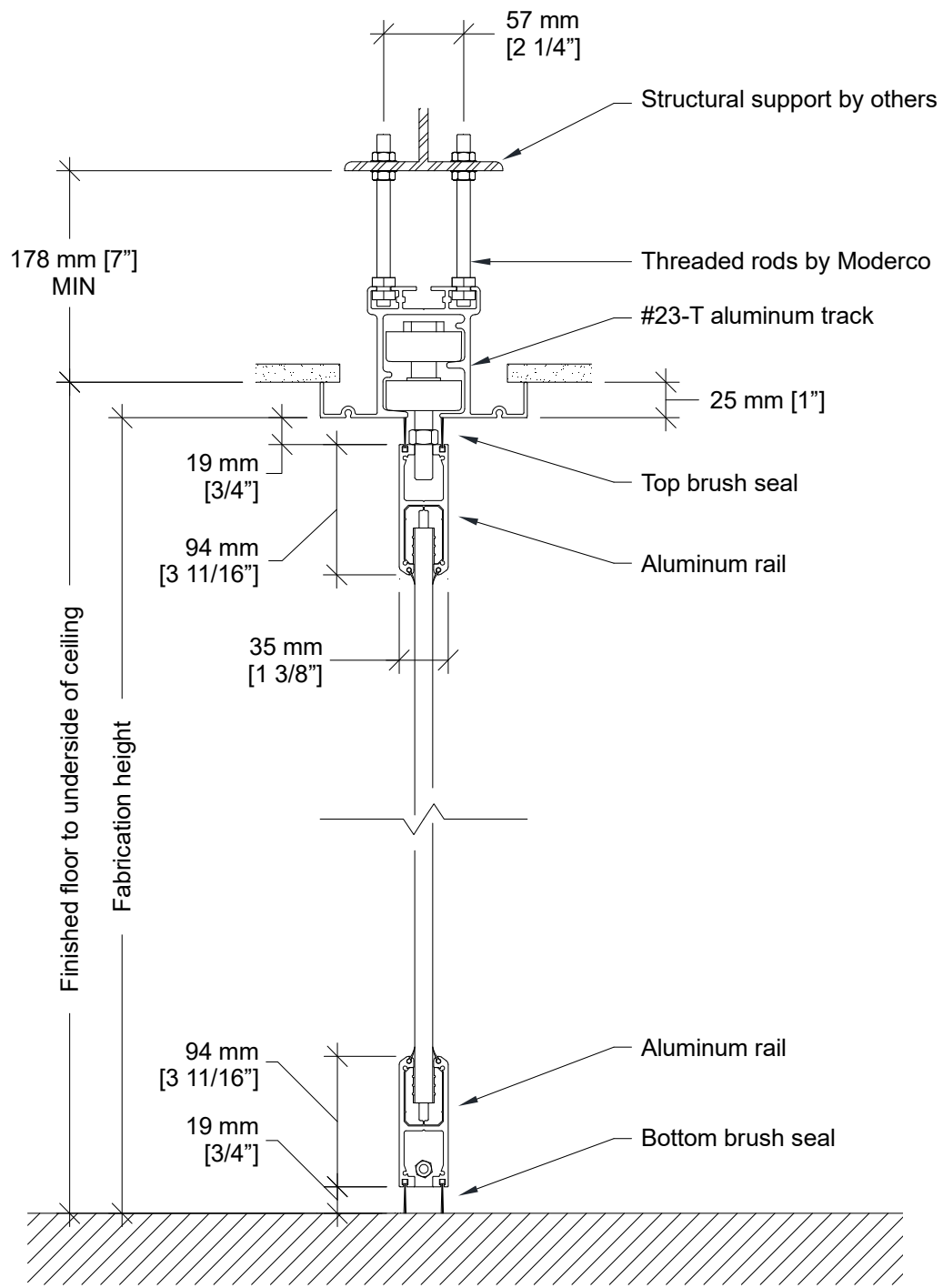
#### **Standard Features**

- Manually-operated paired-panel glass movable partition.
- 35 mm [1 3/8"] nominal thickness. Up to 1220 mm [48"] width.
- Clear 12 mm [1/2"] tempered glass faces with polished vertical edges.
- Clear anodized aluminum horizontal mouldings with brush seals.
- Each panel fitted with a foot bolt to stabilize the partition.
- Clear anodized 6063-T6 alloy aluminum track.
- Each panel supported by one dual horizontal wheel carrier with nylon tires over hardened precision ground steel ball bearing wheels.
- Steel hinges.
- Maximum height : 3658 mm [12'-0"].

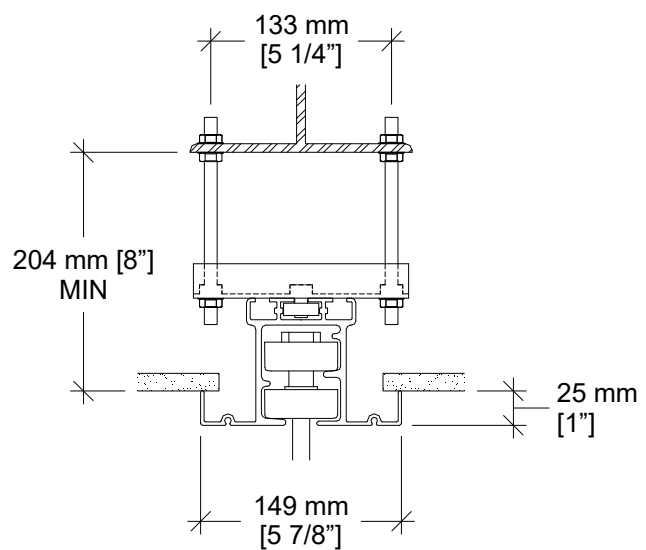
#### **Optional Features and Accessories**

- Powder-coated horizontal mouldings and/or track.
- Glass finishes : stained, colored, acid washed, frosted, etc.
- 11 ga. steel track painted white.
- Floor bolt lock, one side.
- Deadbolt floor lock with
  - thumb turn cylinder, one side;
  - keyed and thumb turn cylinders;
  - keyed cylinder, one side;
  - keyed cylinders, both sides.
- Final closure by 305 mm [12"] pivot panel.
- Final closure by ADA-compliant pivot door. Optional pivot door hardware:
  - Floor-concealed door closer.
  - Keyed lock and thumb turn.
  - Deadbolt floor lock with:
    - thumb turn cylinder, one side;
    - keyed and thumb turn cylinders;
    - keyed cylinder, one side;
    - keyed cylinders, both sides.
  - Panic bar (with lockable lever on opposite side).
  - Architectural pulls.

### Vertical Section

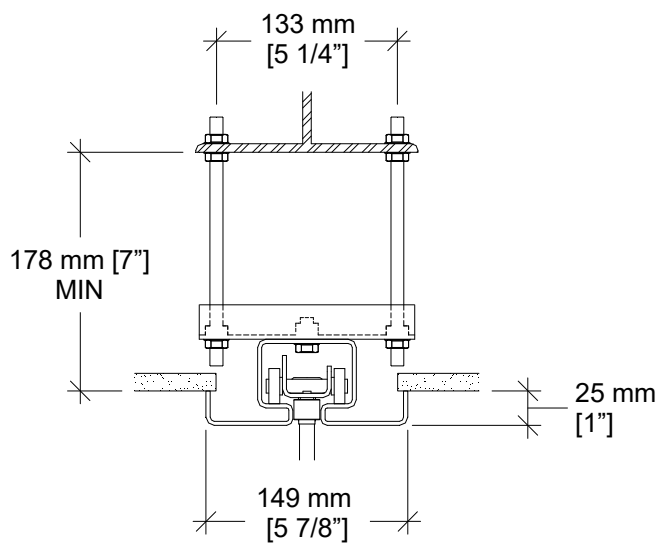


### Track Options



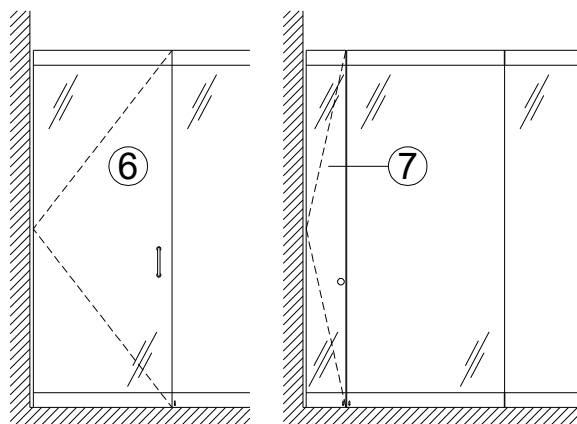
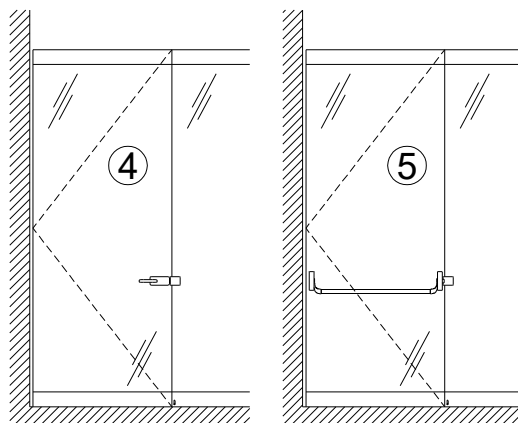
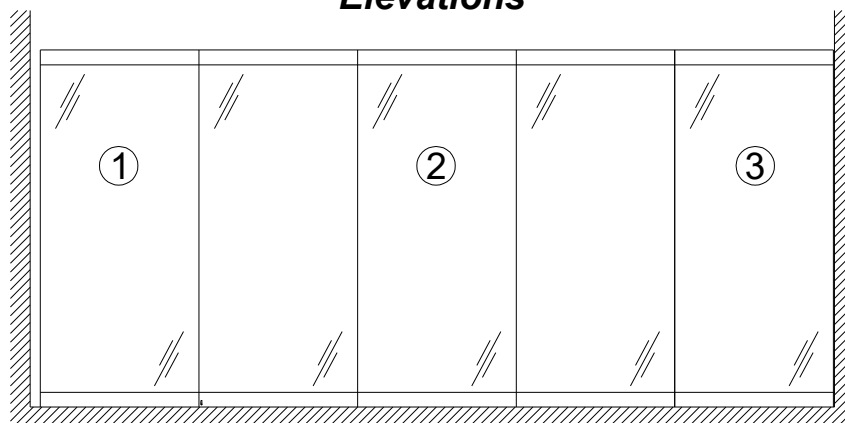
**Optional Hanger Bracket**

Required for installations where the topmost nuts cannot be used for adjustment.



**#72 steel track with hanger bracket**

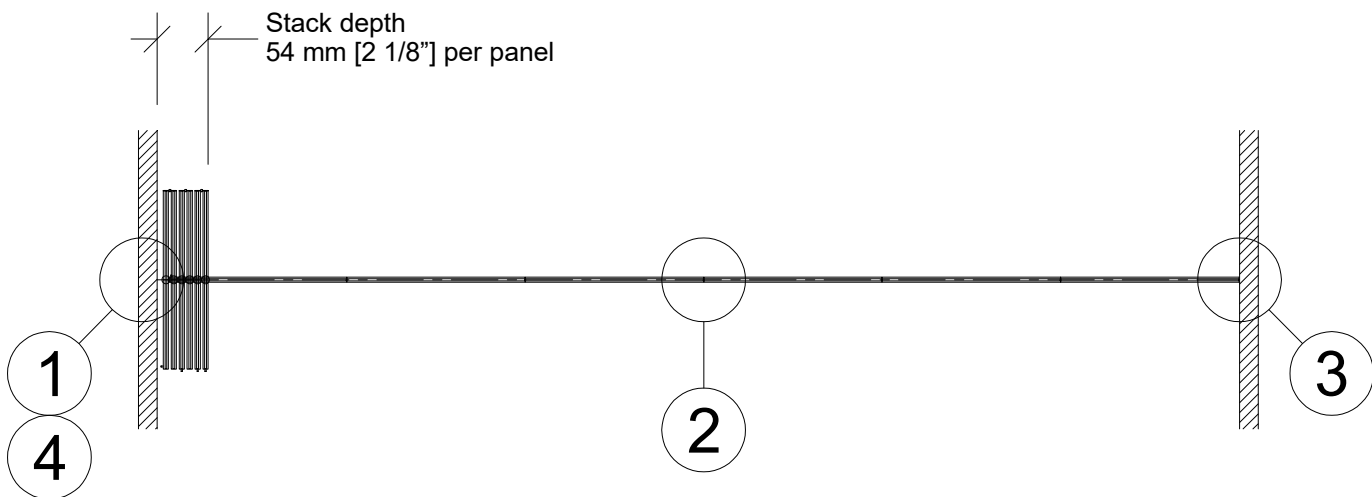
### Elevations



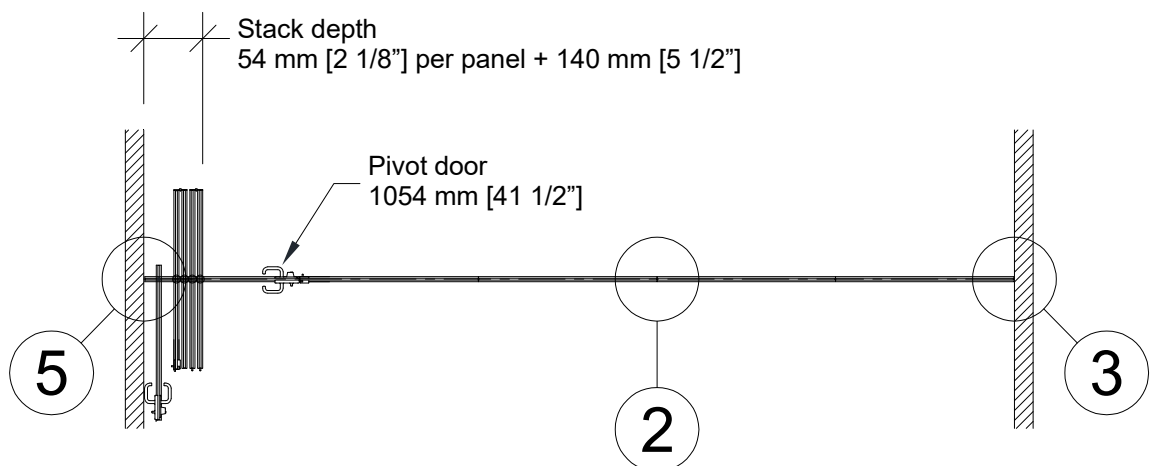
- 1- Lead panel
- 2- Intermediate panel
- 3- Trail panel
- 4- Optional pivot door

- 5- Optional pivot door with panic bar (and lockable lever on opposite side)
- 6- Optional pivot door with architectural pulls
- 7- Optional pivot closure panel

**Plan Views**

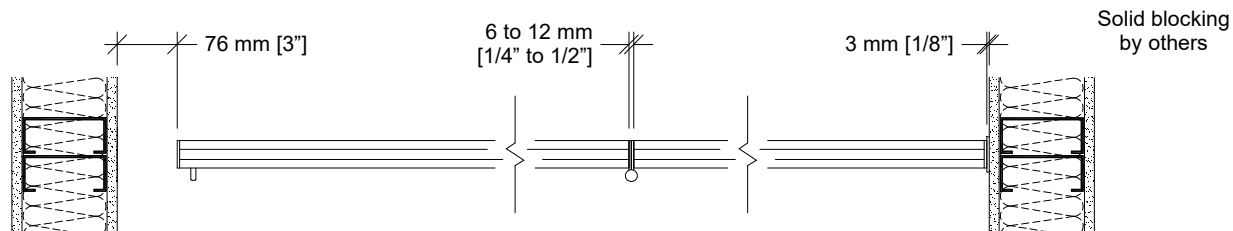


**Wall to wall layout**



**Pivot door**

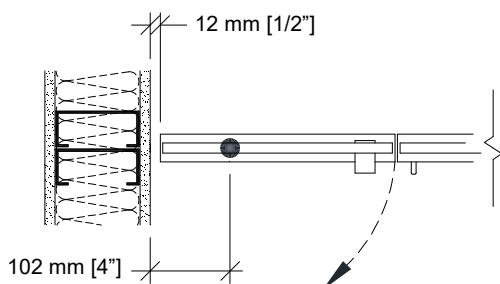
### Horizontal Sections



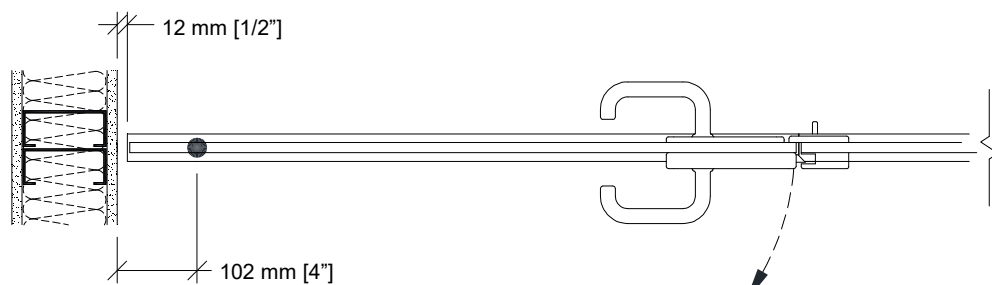
1 Trail end

2 Panel joint

3 Lead end

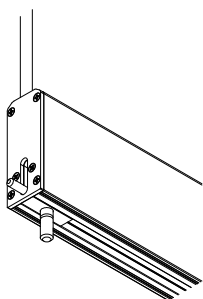


4 Optional pivot closure panel

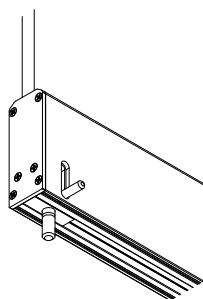


5 Optional pivot door

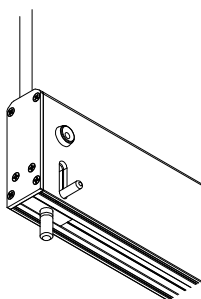
## Floor Bolts



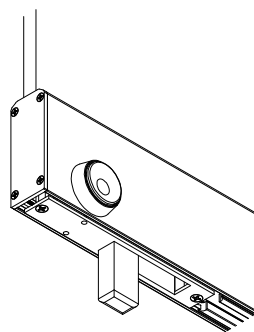
Edge-activated floor bolt.



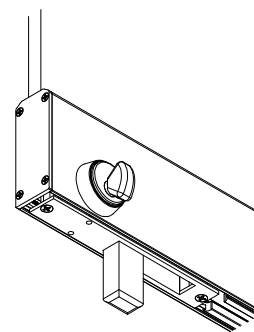
Face-activated floor bolt.



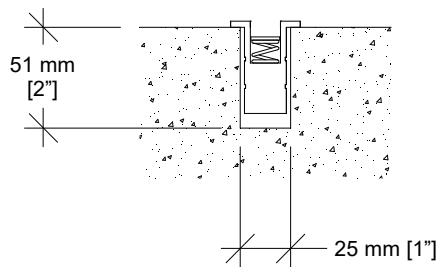
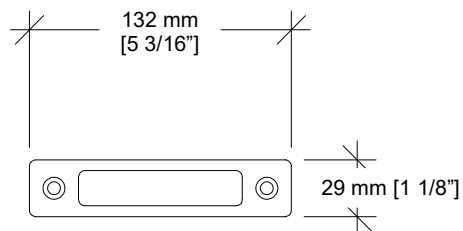
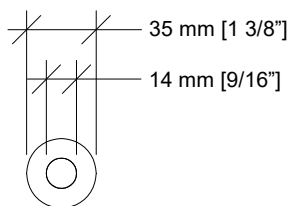
Floor bolt lock.



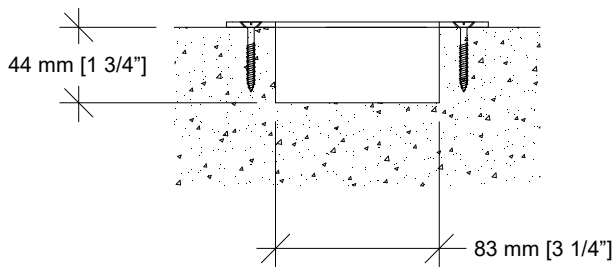
Deadbolt floor lock with keyed cylinder.



Deadbolt floor lock with thumb turn.

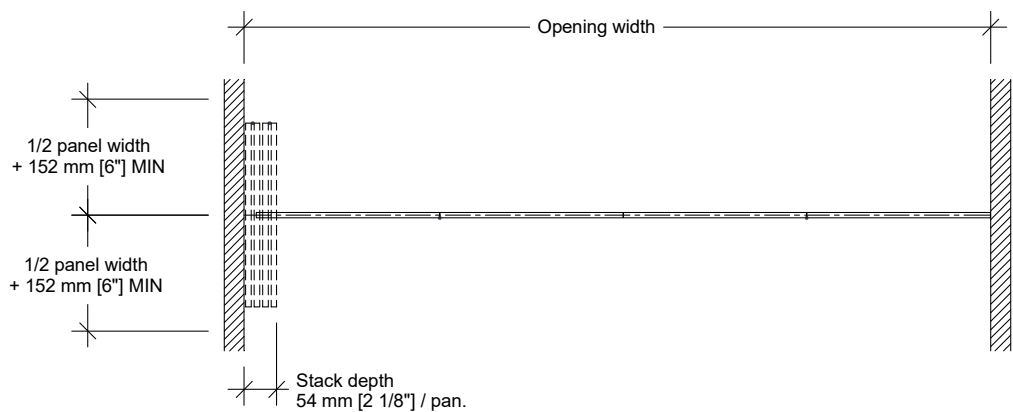


Dust-proof strike for floor bolt.

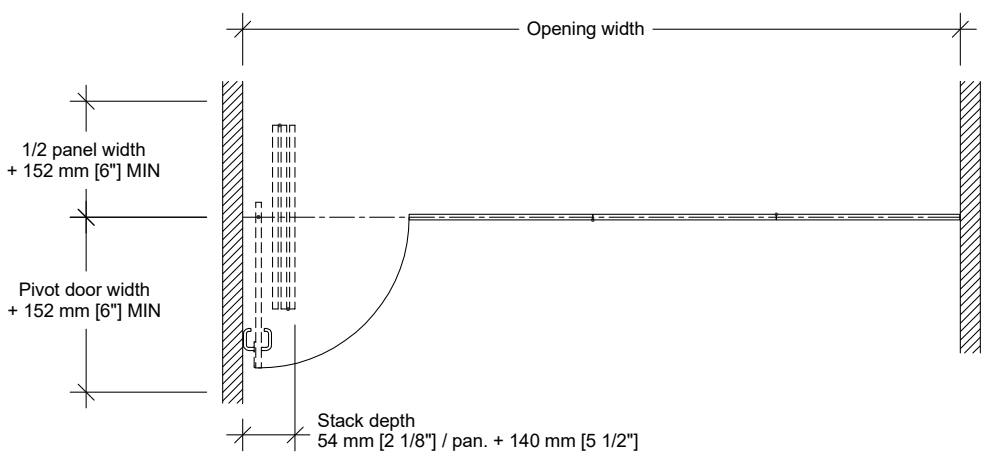


Strike for deadbolt floor lock.

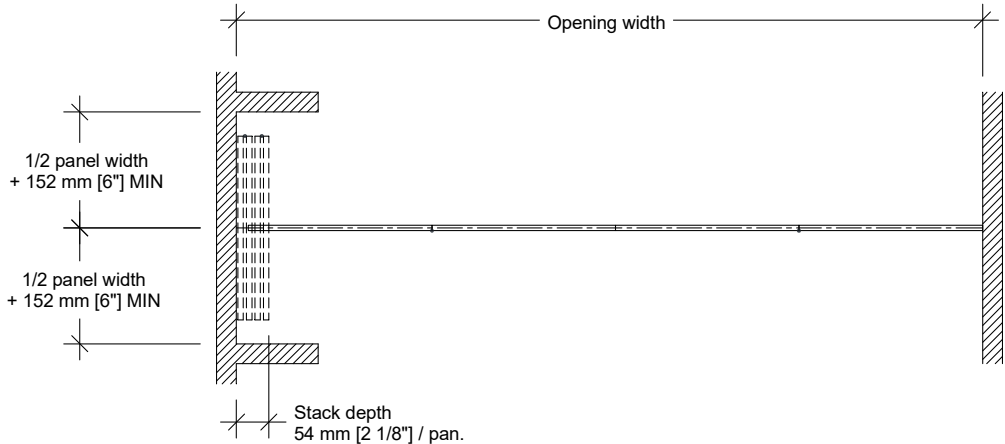
### Typical Layouts



**Wall to wall**



**Wall to wall – pivot door**



**Pocket**