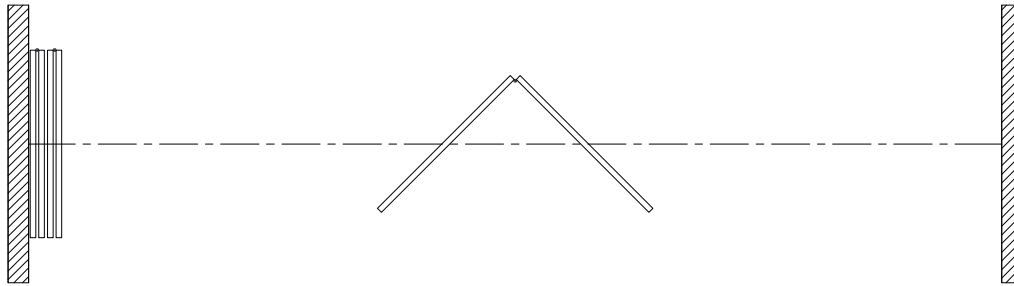




MODERCO

VISION 100 Series

Technical Data Sheet Vision 122



Features & Options

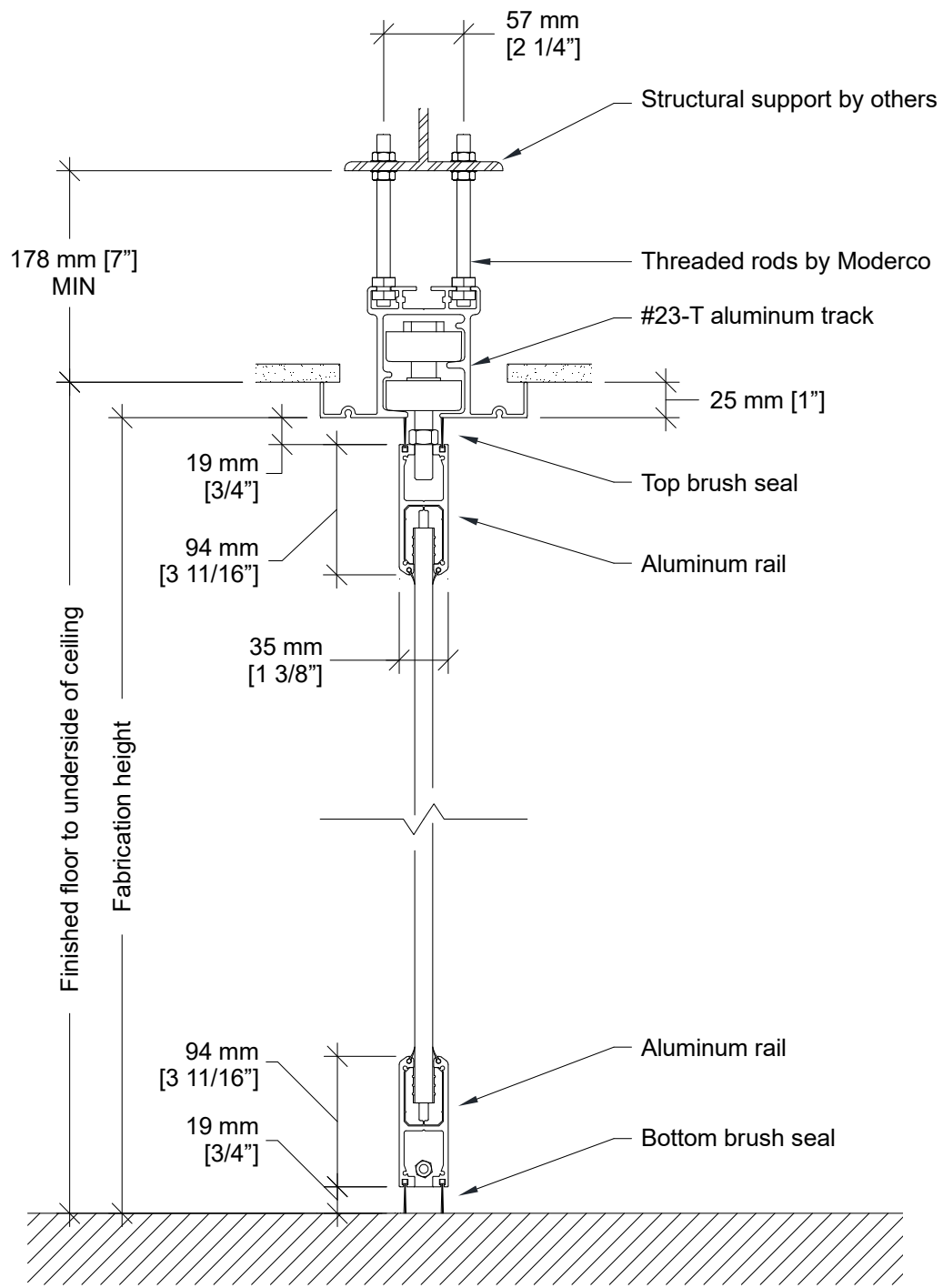
Standard Features

- Manually-operated paired-panel glass movable partition.
- 35 mm [1 3/8"] nominal thickness. Up to 1220 mm [48"] width.
- Clear 12 mm [1/2"] tempered glass faces with polished vertical edges.
- Clear anodized aluminum horizontal mouldings with brush seals.
- Each panel fitted with a foot bolt to stabilize the partition.
- Clear anodized 6063-T6 alloy aluminum track.
- Each panel supported by one dual horizontal wheel carrier with nylon tires over hardened precision ground steel ball bearing wheels.
- Steel hinges.
- Maximum height : 3658 mm [12'-0"].

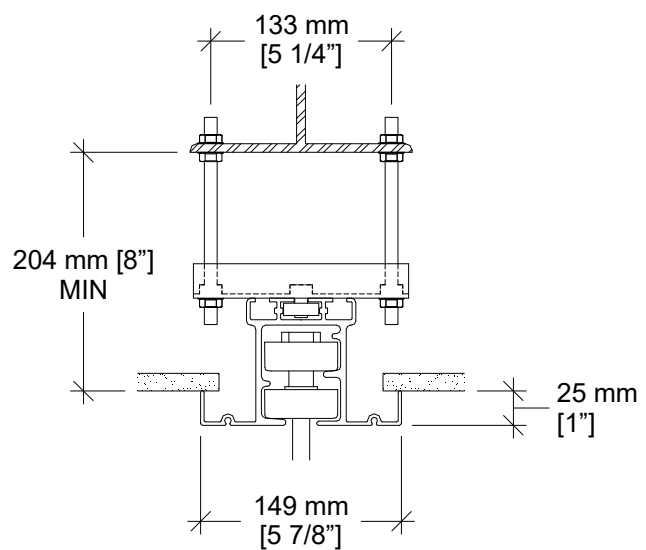
Optional Features and Accessories

- Powder-coated horizontal mouldings and/or track.
- Glass finishes : stained, colored, acid washed, frosted, etc.
- 11 ga. steel track painted white.
- Floor bolt lock, one side.
- Deadbolt floor lock with
 - thumb turn cylinder, one side;
 - keyed and thumb turn cylinders;
 - keyed cylinder, one side;
 - keyed cylinders, both sides.
- Final closure by 305 mm [12"] pivot panel.
- Final closure by ADA-compliant pivot door. Optional pivot door hardware:
 - Floor-concealed door closer.
 - Keyed lock and thumb turn.
 - Keyed lock both sides.
 - Deadbolt floor lock with:
 - thumb turn cylinder, one side;
 - keyed and thumb turn cylinders;
 - keyed cylinder, one side;
 - keyed cylinders, both sides.
 - Panic bar (with lockable lever on opposite side).
 - Architectural pulls.

Vertical Section

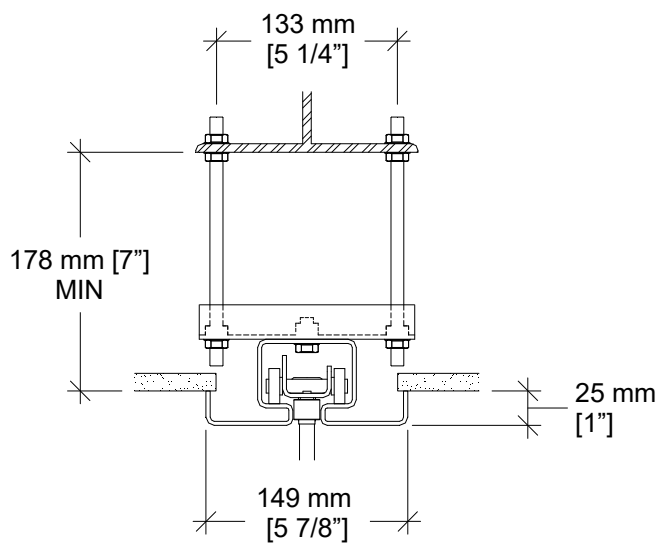


Track Options



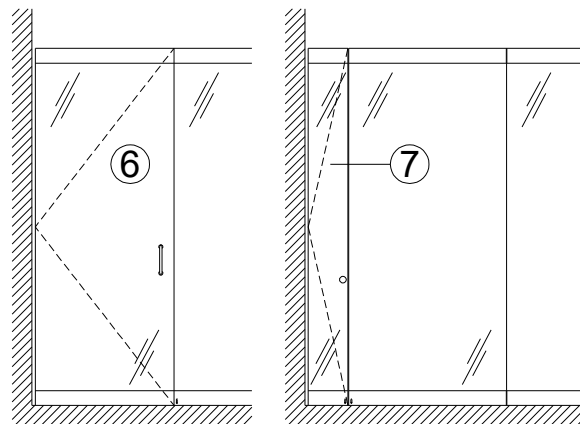
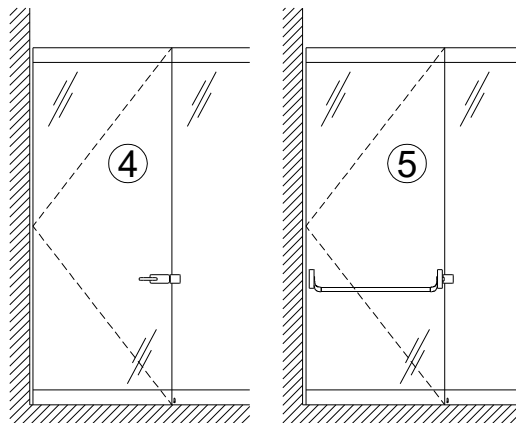
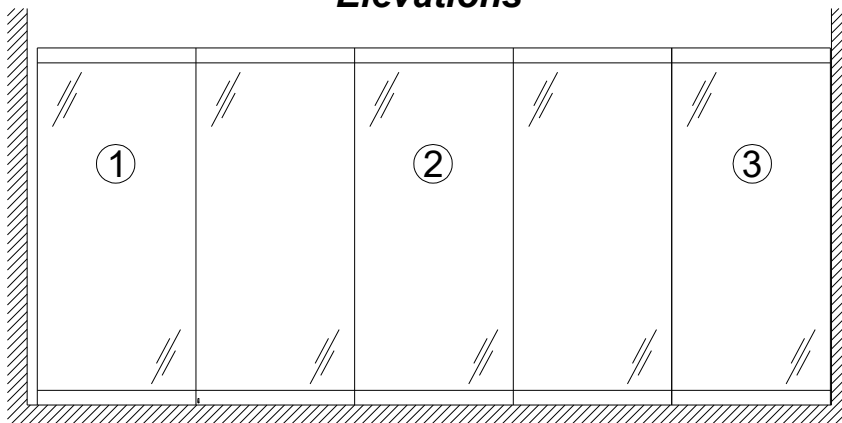
Optional Hanger Bracket

Required for installations where the topmost nuts cannot be used for adjustment.



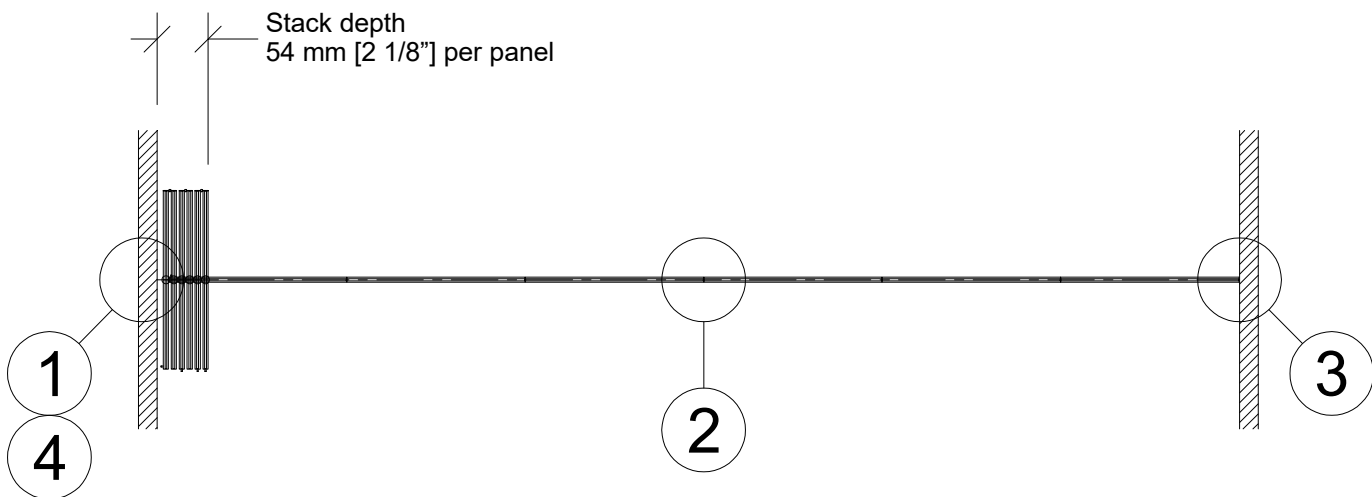
#72 steel track with hanger bracket

Elevations

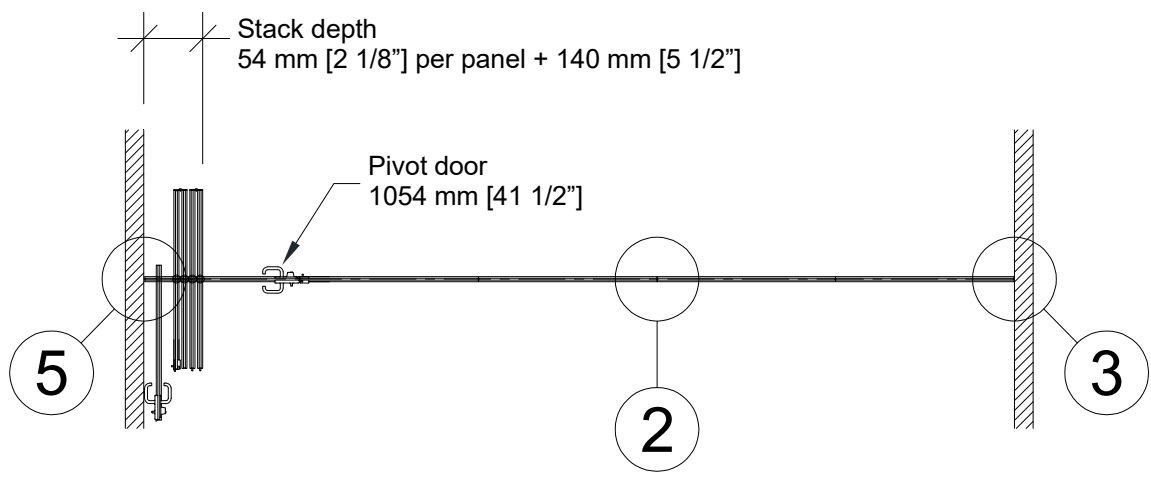


- 1- Lead panel
- 2- Intermediate panel
- 3- Trail panel
- 4- Optional pivot door
- 5- Optional pivot door with panic bar (and lockable lever on opposite side)
- 6- Optional pivot door with architectural pulls
- 7- Optional pivot closure panel

Plan Views

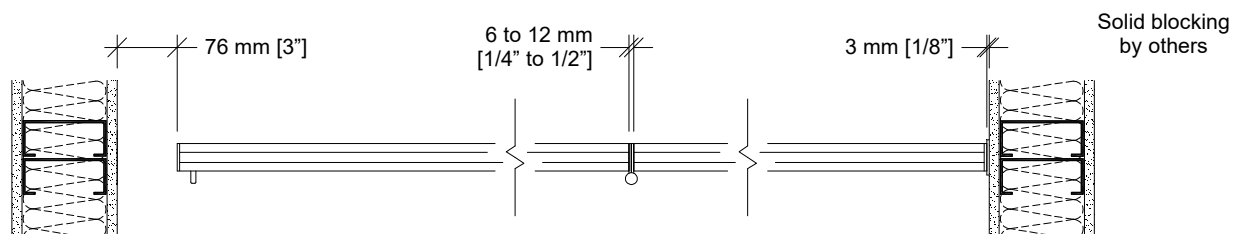


Wall to wall layout



Pivot door

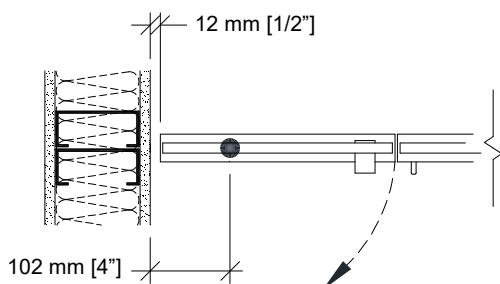
Horizontal Sections



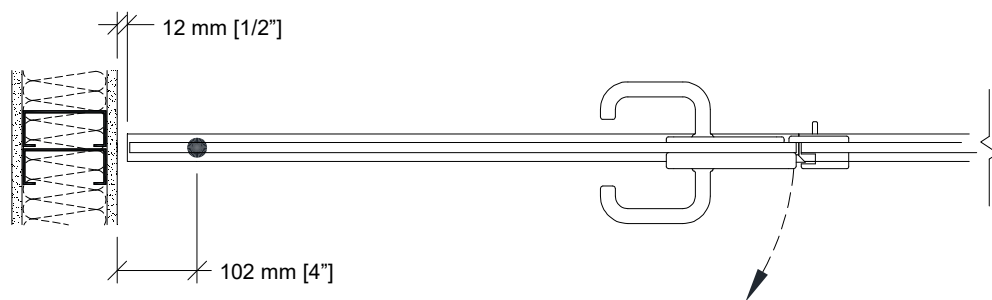
1 Trail end

2 Panel joint

3 Lead end

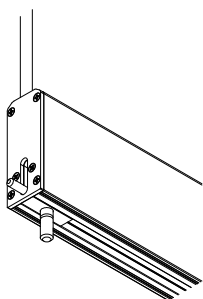


4 Optional pivot closure panel

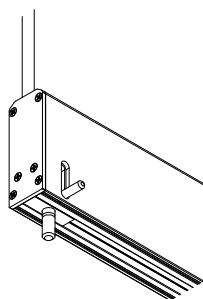


5 Optional pivot door

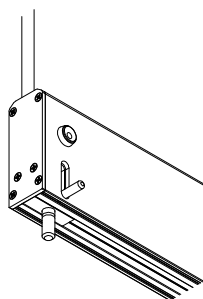
Floor Bolts



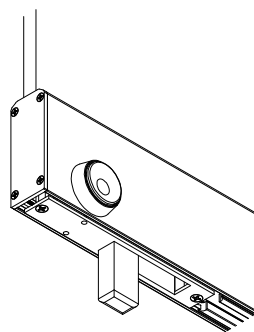
Edge-activated floor bolt.



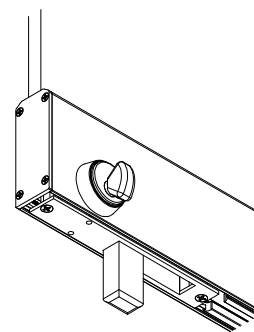
Face-activated floor bolt.



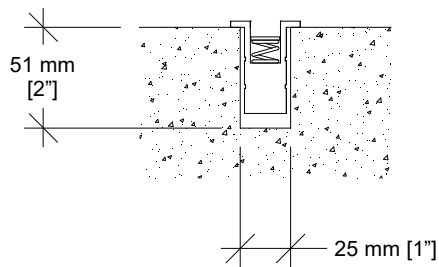
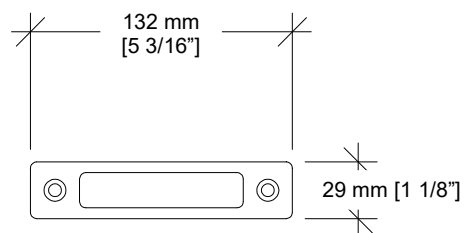
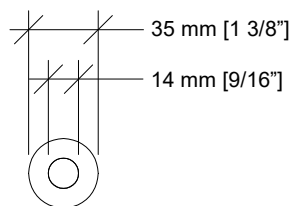
Floor bolt lock.



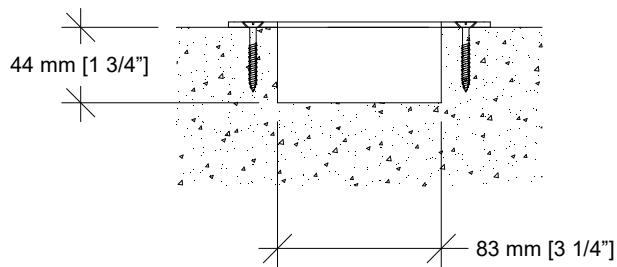
Deadbolt floor lock with keyed cylinder.



Deadbolt floor lock with thumb turn.

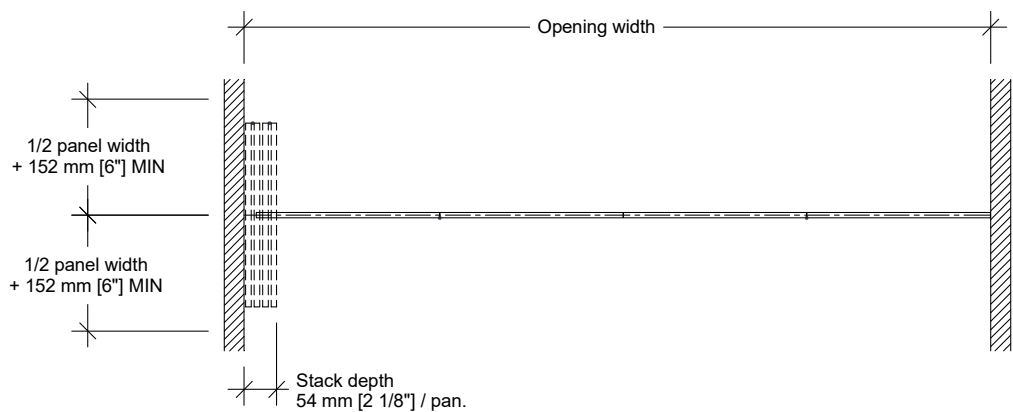


Dust-proof strike for floor bolt.

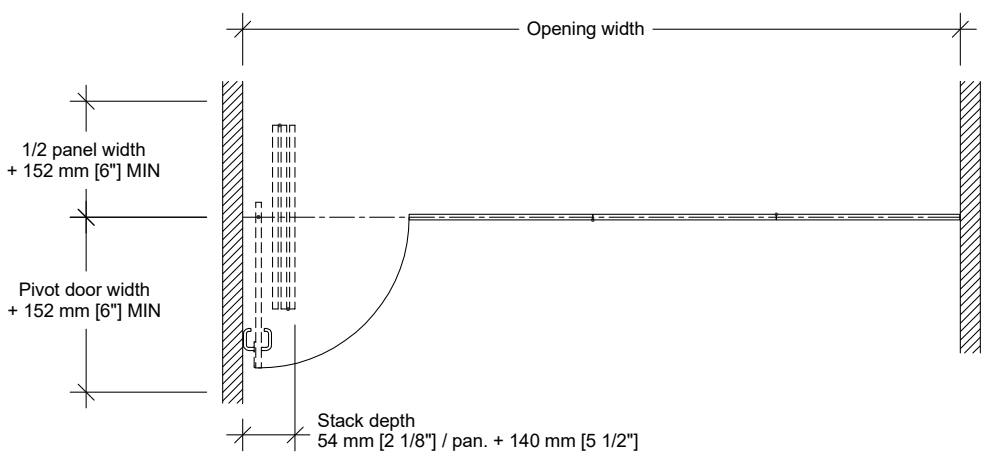


Strike for deadbolt floor lock.

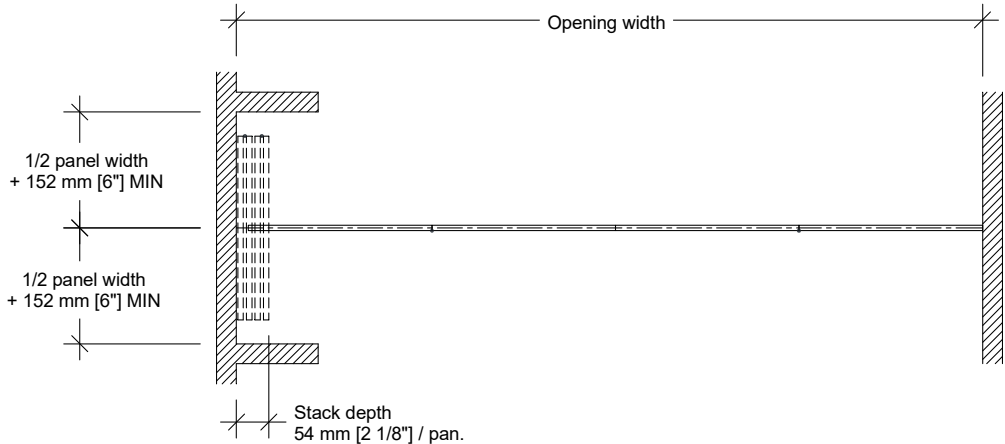
Typical Layouts



Wall to wall



Wall to wall – pivot door



Pocket