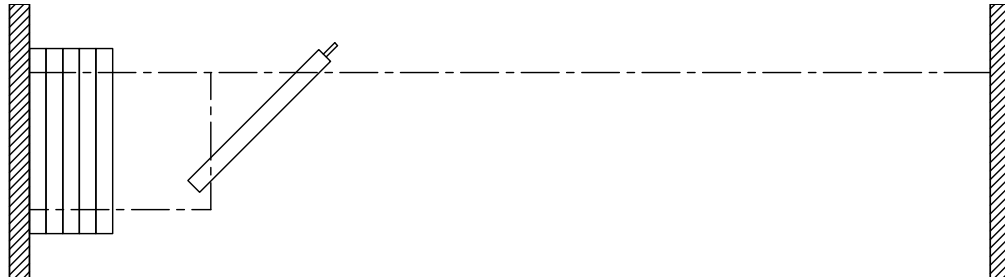




MODERCO

Crystal 200 Series

Technical Data Sheet Crystal 241



Features & Options

Standard Features

- Manually-operated individual-panel glass movable partition.
- STC 44.
- 102 mm [4"] nominal thickness. 1230 mm [48 1/2"] maximum width.
- Clear-anodized steel-reinforced aluminum frame.
- Protective trims on the entire perimeter.
- Combination aluminum and vinyl tongue and groove vertical sound seals between panels.
- Final closure by telescopic jamb.
- Type FA horizontal seals:
 - Fixed top sweeps
 - Automatic retractable bottom seals set as panels are deployed
 - bottom seals provide a 50 mm [2"] floor clearance
- Clear-anodized 6063-T6 alloy aluminum track.
- Each panel supported by two carriers made up of two horizontally-aligned precision-ground hardened steel ball bearing wheels with nylon tires.
- 6 mm [1/4"] clear tempered glass faces.

Maximum height : 3733 mm [12'-3"].

Optional Features and Accessories

- Powder-coated frame and/or track.
- Glass finishes : stained, colored, acid washed, frosted, etc.
- Battery-powered electrically tilting blinds and operated by remote control.
- Type FM-1.5 horizontal seals:
 - Fixed top sweeps
 - Manually-operated bottom seals
 - bottom seals provide a floor clearance of 38 mm [1 1/2"]
- Type MM-1.5 horizontal seals:
 - top and bottom retractable seals
 - Manually-operated, simultaneously-activated top and bottom seals
 - bottom seals provide a floor clearance of 38 mm [1 1/2"]
- Inset white marker boards / chalk boards / natural cork tack boards.
- Chalk tray.
- Acoustical or non-acoustical pocket door.

Optional Features and Accessories (cont'd)

- Final closure by ADA-compliant pivot panel.

Pivot panel options:

- panic bar
- panic bar with lockable lever
- deadbolt lock

A deadbolt lock will not be installed alongside a panic bar.

- ADA-compliant full-height hinged door (up to a height of 3124 mm [10'-3"]) with flush pulls and roller latch.

Deadbolt lock available as an option.

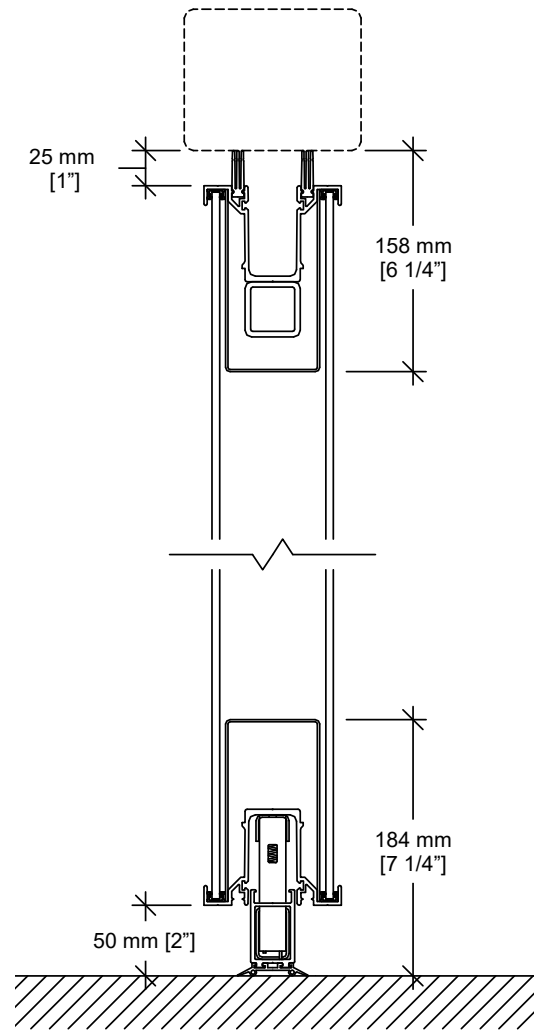
- ADA-compliant u-shaped door with flush pulls and roller latch.

Pass door options:

- concealed automatic closer
- panic bar
- panic bar with lockable lever
- self-illuminated exit sign
- "green running man" self-illuminated exit sign
- deadbolt lock

A deadbolt lock will not be installed alongside a panic bar or exit sign.

Horizontal Seals

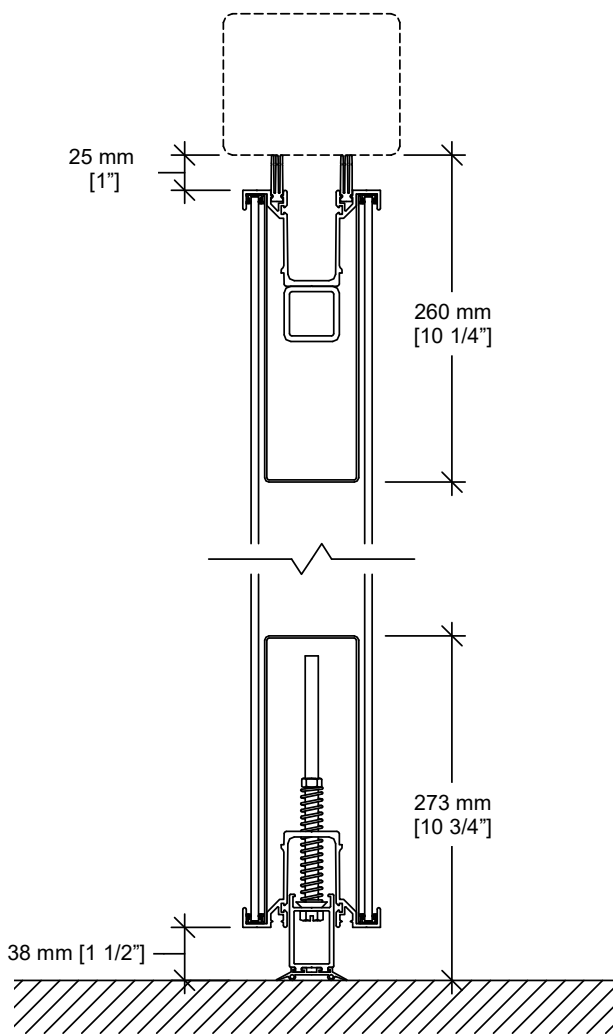


Type FA

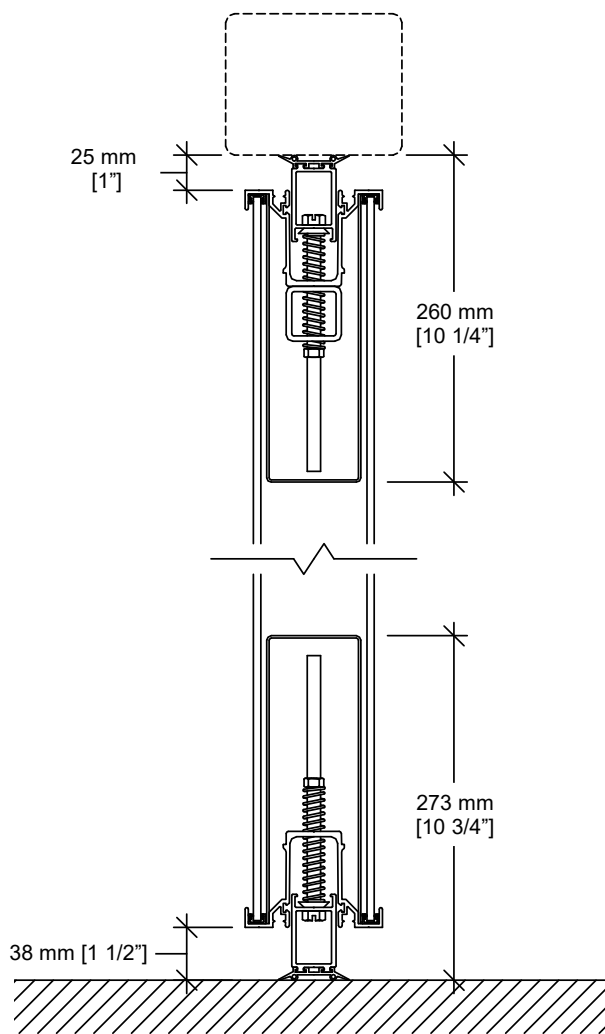
Floor clearance : 50 mm [2"]

Operating tolerances :
+0 mm / -38 mm [+0" / -1 1/2"]

Horizontal Seals (cont'd)

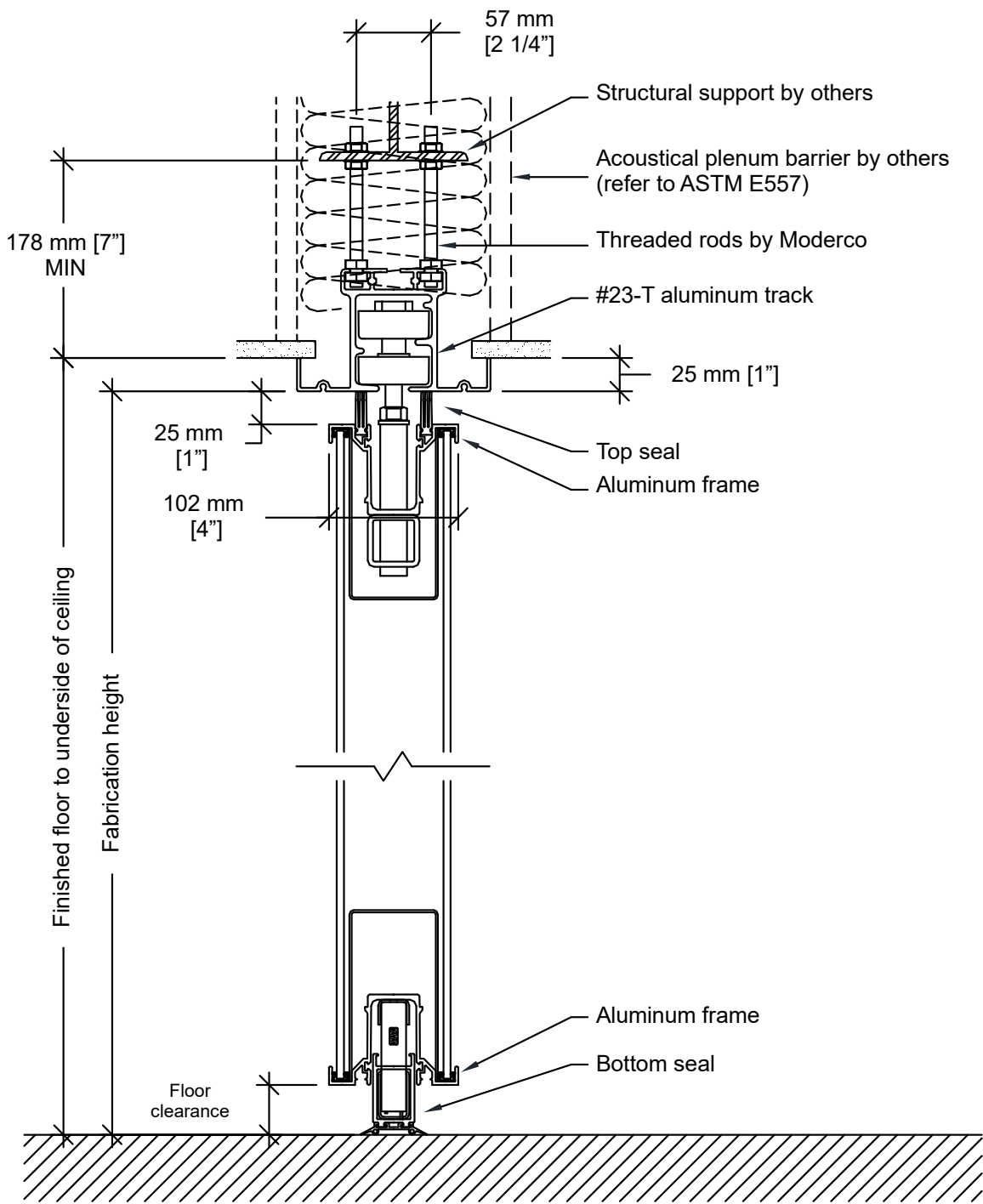


Type FM-1.5
 Floor clearance : 38 mm [1 1/2"]
 Operating tolerances :
 +0 mm / -19 mm [+0" / -3/4"]

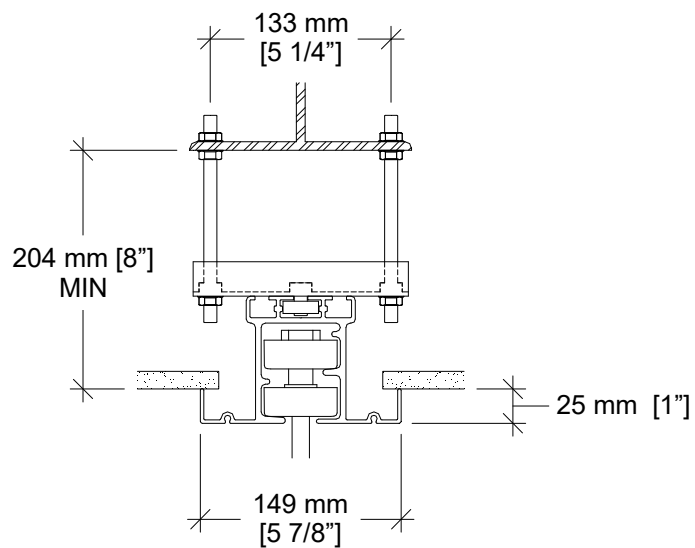


Type MM-1.5
 Floor clearance : 38 mm [1 1/2"]
 Operating tolerances :
 +0 mm / -19 mm [+0" / -3/4"]

Vertical Section



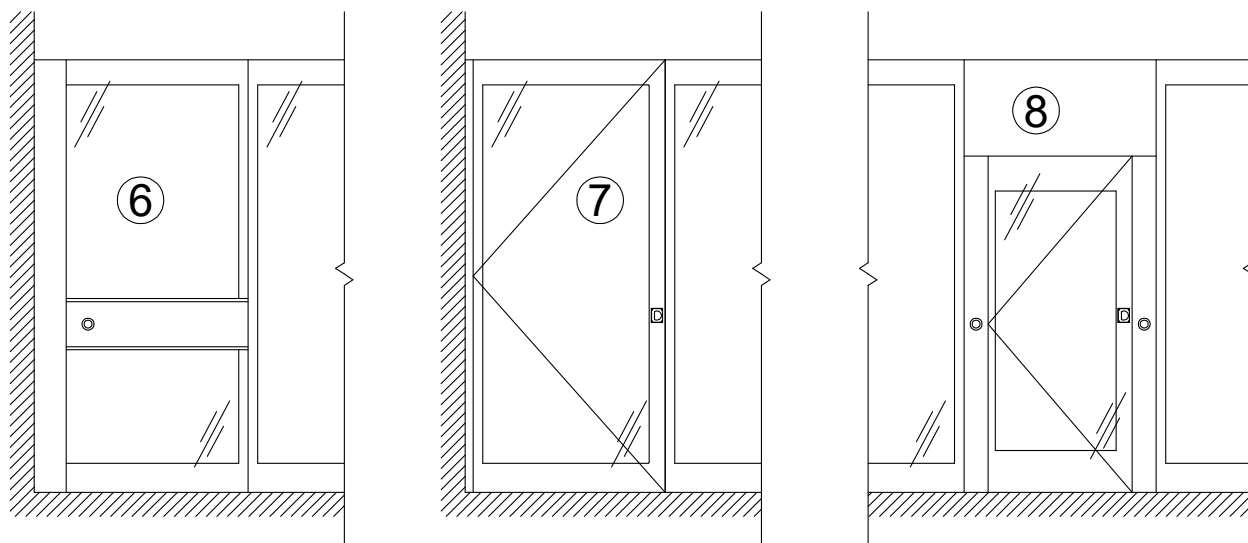
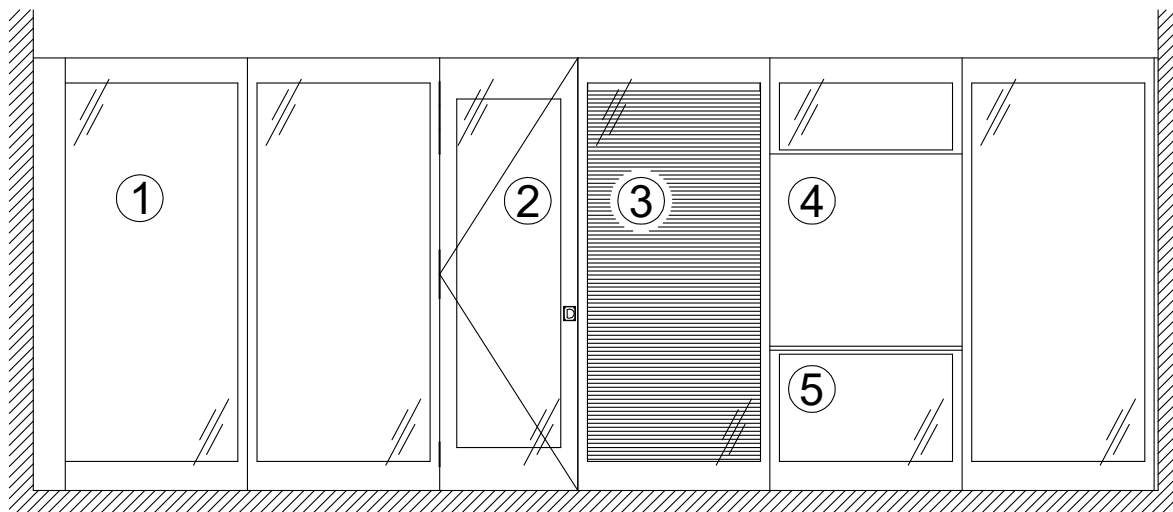
Track Options



Optional hanger bracket

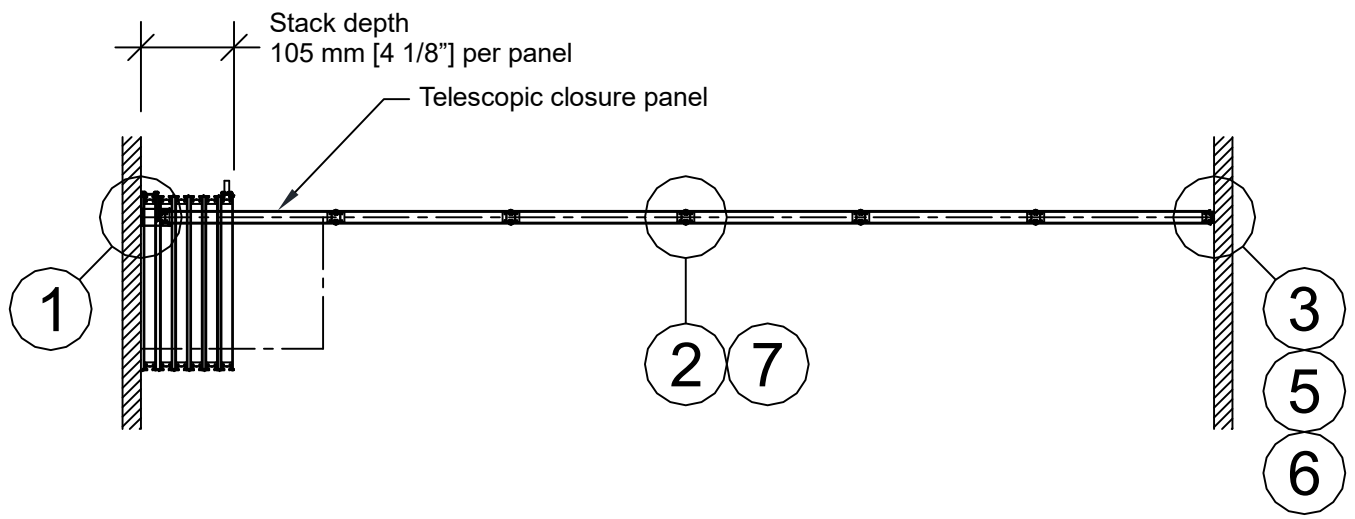
Required for installations where the topmost nuts cannot be used for adjustment.

Elevation

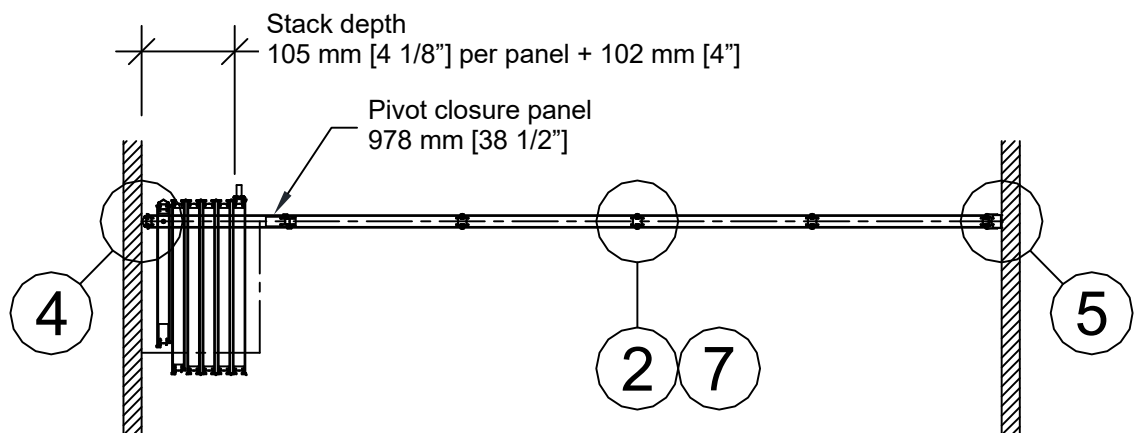


- 1- Telescopic closure panel
- 2- Full-height hinged door (optional)
- 3- Electrically tilting blinds operated by remote control (optional)
- 4- Work surfaces (optional)
- 5- Marker tray (optional)
- 6- Telescopic closure panel with rack and pinion mechanism (optional)
- 7- Pivot panel (optional)
- 8- U-shaped pass door (optional)

Plan Views

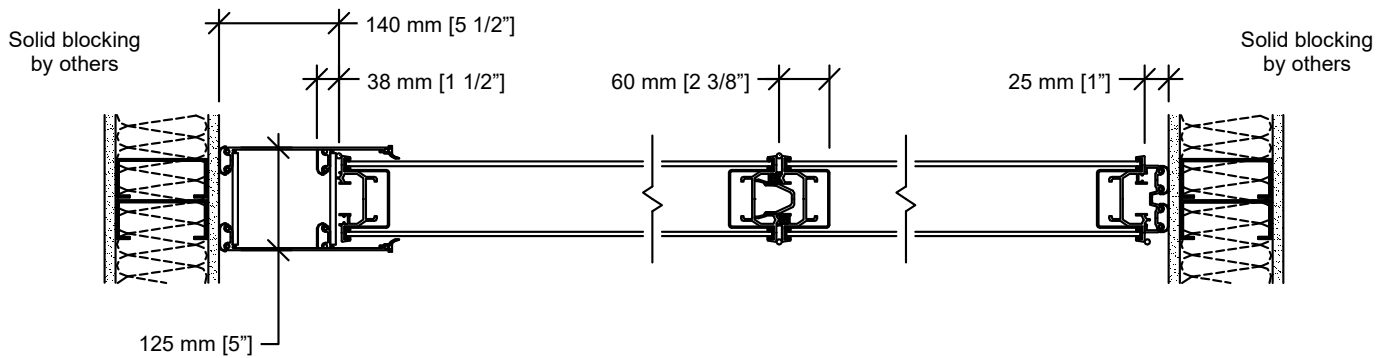


Telescopic closure panel

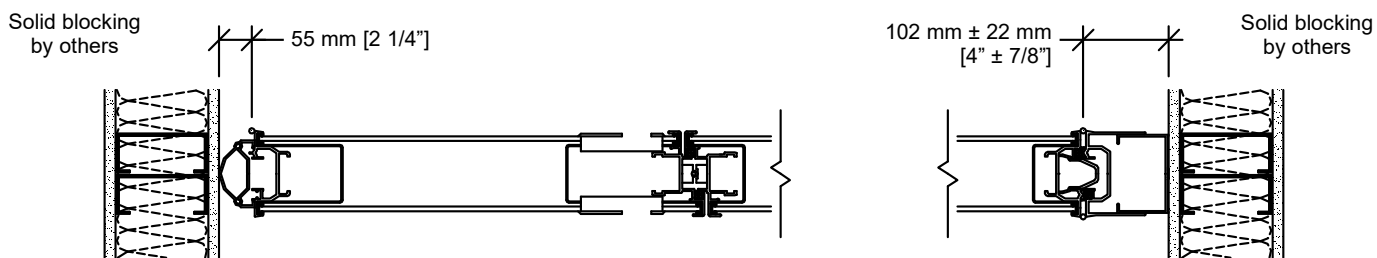


Pivot closure panel

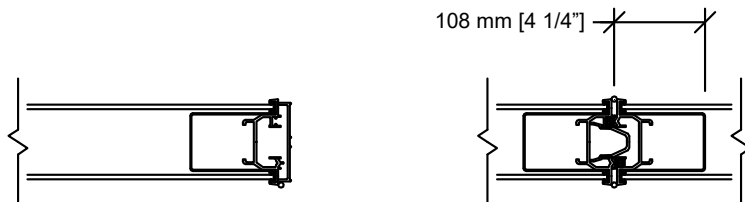
Horizontal Sections



- ① Telescopic closure
- ② Panel joint (panels type FA horizontal seals)
- ③ Bulb seal

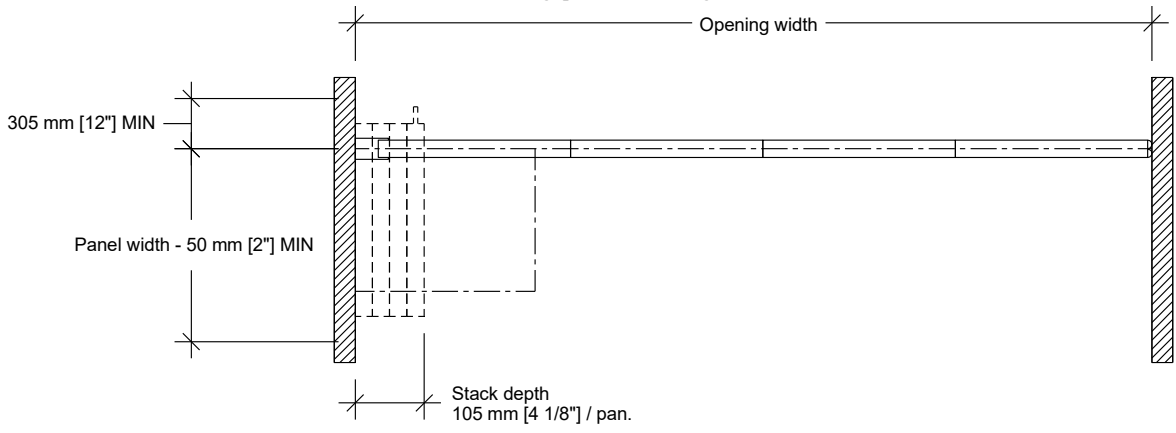


- ④ Pivot closure panel with recessed pulls and roller latch (optional)
- ⑤ Wall jamb (optional)

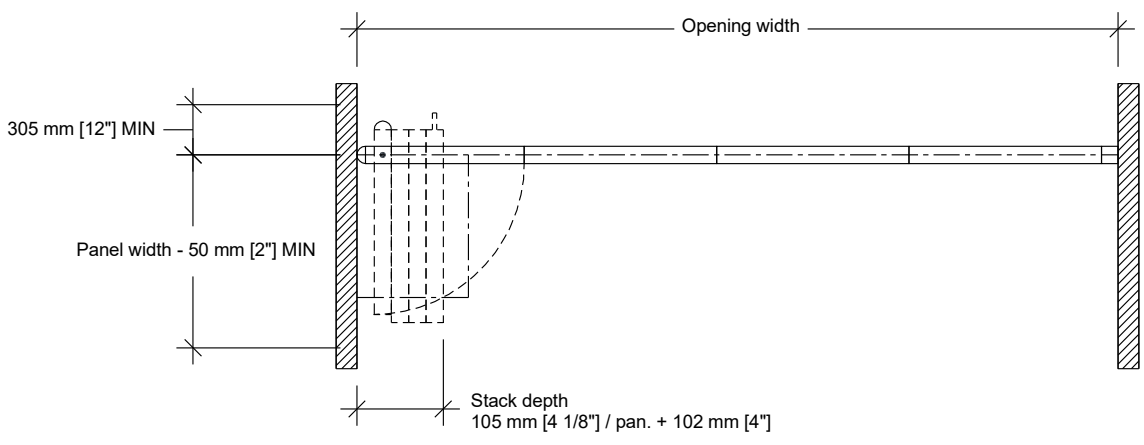


- ⑥ End cap (available on panels with manual seals only)
- ⑦ Panel joint (panels with FM-1.5 or MM-1.5 horizontal seals)

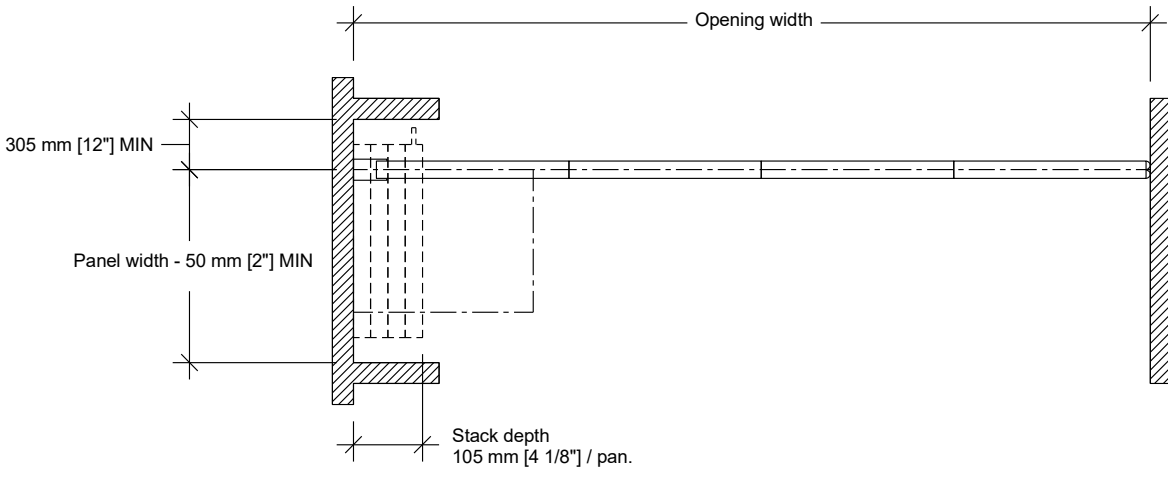
Typical Layouts



Wall to wall Side Stack – telescopic closure

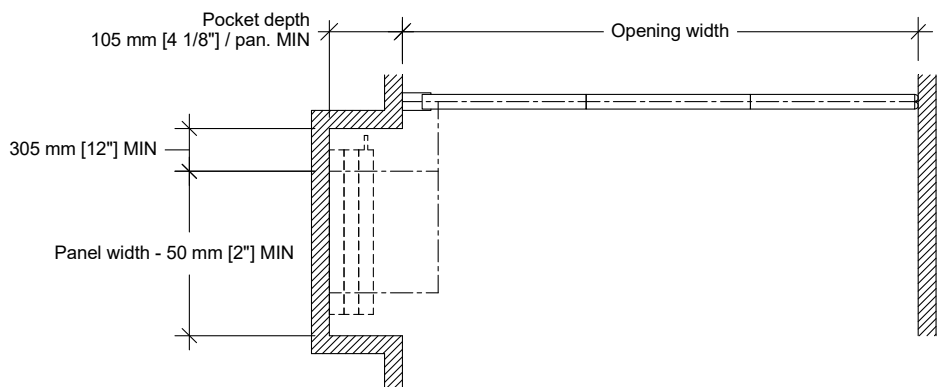


Wall to wall Side Stack – pivot closure

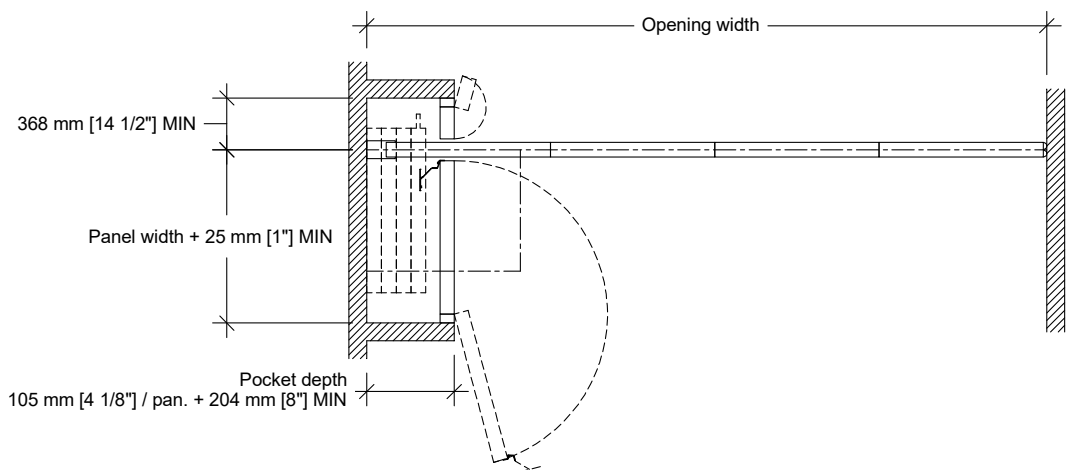


Pocket

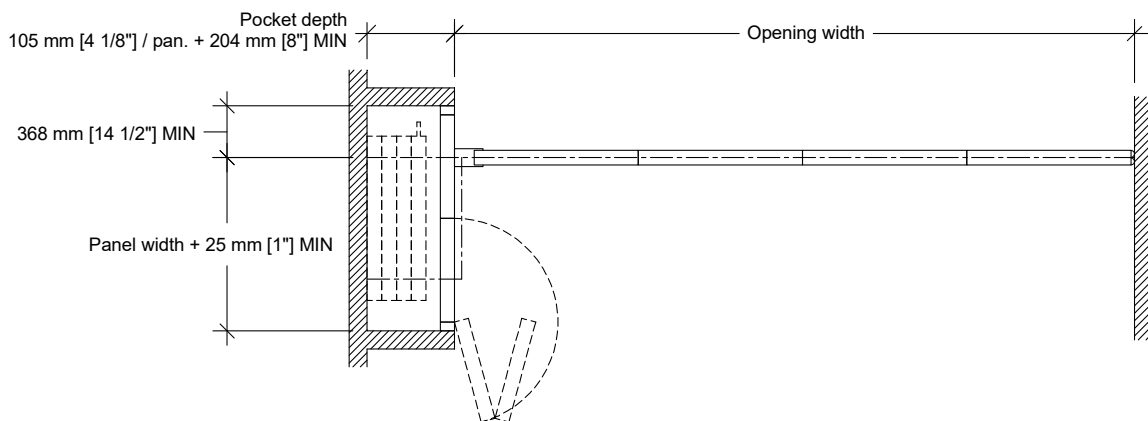
Typical Layouts (cont'd)



Remote Stack



**Pocket and PN-83 non-acoustical pocket door
(partition seals to back of pocket)**



**Pocket and PA-82B acoustical pocket door
(partition seals to face of pocket door)**